

<b>CORNING</b>	<b>Life Sciences</b>	Document Number: <b>LSR00059</b>	Rev.: <b>5</b>
<b>Description (Class):</b> <b>Reference, Customer Technical Data Sheet</b> <b>Cell Culture Flask, 12.5 cm<sup>2</sup> canted neck, plug seal cap</b>			Page: <b>1 of 2</b>

**APPLICATIONS:**

- Cell culture
- Sample or reagent storage

**FEATURES:**

**Polystyrene construction**

- Optically clear for easy viewing of sample or cells.
- Stable from 4°C to 60°C

**Two-position plug seal cap**

- Biologically inert polyethylene provides a chemically resistant surface.
- Cap can be loosely closed to allow gas exchange.
- Further tightening snaps cap into sealed position that is liquid-tight
- A reference bar on the outside of the cap can be aligned with flask markings for precise incubation conditions.

**Molded graduations along both sides of flasks**

- Graduations at 2, 5, 10, 15, 20 and 25 mL
- Allows quick volume estimation

**Prominent stacking rims along perimeter of upper surface**

- Permits easy interlocked stacking in incubator or culture hood
- Flasks will not slip off one another while being transported

**Tissue-culture-friendly packaging**

- Convenient reseal tab on the bag
- Innovative bag materials that will not scuff or scratch the flask surface
- Double-wall bags provide increased sterility assurance
- Medical-style peel-open bags guarantee that sterility is maintained as flasks are removed from the bag
- Recyclable bag material (low density polyethylene)

**STERILITY:**

Product is gamma irradiated.

**REGULATORY COMPLIANCE:**

Falcon® products are manufactured under the current ISO 13485 Standards, and the current FDA Quality System Regulation 21 CFR Section 820.

**RESTRICTIONS:**

- Refer to "Thermoplastics Properties Chart," available at:  
<https://www.corning.com/catalog/cls/documents/compatibility-guides/CLS-DL-AN-226.pdf>

Warranty/Disclaimer: Unless otherwise specified, all products are for research use only. Not intended for use in diagnostic or therapeutic procedures.

<b>CORNING</b>	<b>Life Sciences</b>	Document Number: <b>LSR00059</b>	Rev.: <b>3</b>
Description (Class): <b>Reference, Customer Technical Data Sheet</b> <b>Cell Culture Flask, 12.5 cm<sup>2</sup> canted neck, plug seal cap</b>			Page: <b>2 of 2</b>

**Material:** Polystyrene

**Related Catalog Numbers:**

Cat. No.	Packout Description	Cap	Neck Style	Graduations	Surface
353018	10/Bag, 100/Case	Plug Seal	Canted	Numeric/molded	Standard TC

**Dimensions = mm (inches)**

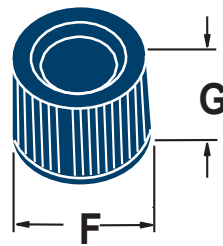
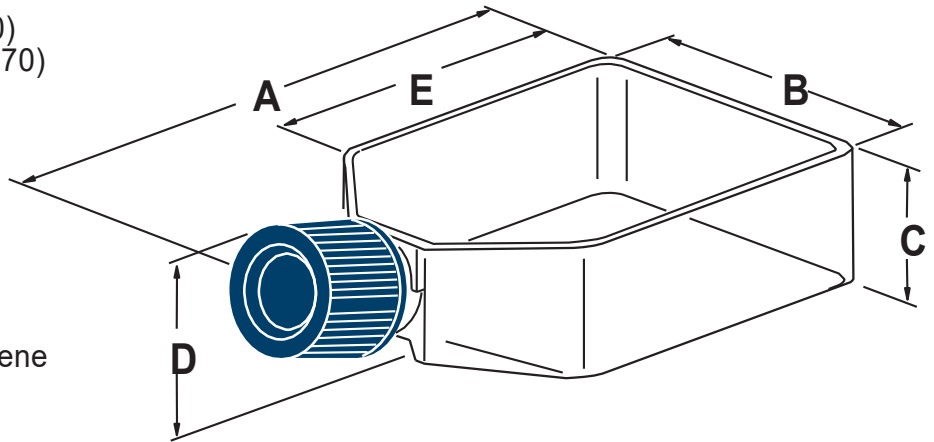
**FLASK**  
**A** = w/cap 81.85 (3.222)  
w/o cap 77.17 (3.0382)  
**B** = 44.45 (1.750)  
**C** = 26.18 (1.031)  
**D** = w/cap 29.46 (1.160)  
w/o cap 27.17 (1.070)  
**E** = 60.32 (2.375)

**GROWTH AREA** = 12.5 cm<sup>2</sup>  
**VOLUME** = 25 mL

**NECK**  
**ID** = 15.11 (.595)  
**Length** = 16.81 (.662)

**CAP, Material:** High Density Polyethylene

**F** = O.D. 23.36 (.920)  
**G** = 16.84 (.663)



Warranty/Disclaimer: Unless otherwise specified, all products are for research use only. Not intended for use in diagnostic or therapeutic procedures.