

SureCast™ Sealing Pads

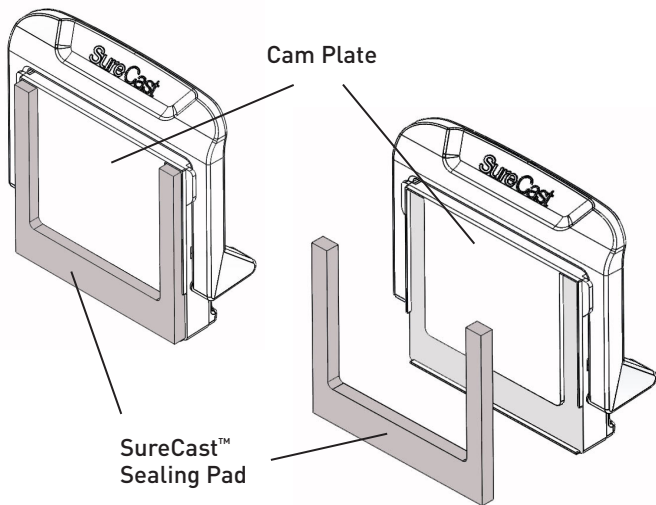
invitrogen
by Thermo Fisher Scientific

Catalog Number HC1002

Pub. No. MAN0014315 Rev A.0

Replace SureCast™ Sealing Pad

1. Peel the existing sealing pad from the cam plate.
2. Ensure no adhesive or foam pieces remain on the cam.
3. Uncover the adhesive backing on a new sealing pad, and stick the pad onto the cam plate.



For Research Use Only. Not for use in diagnostic procedures.

DISCLAIMER: TO THE EXTENT ALLOWED BY LAW, LIFE TECHNOLOGIES AND/OR ITS AFFILIATE(S) WILL NOT BE LIABLE FOR SPECIAL, INCIDENTAL, INDIRECT, PUNITIVE, MULTIPLE OR CONSEQUENTIAL DAMAGES IN CONNECTION WITH OR ARISING FROM THIS DOCUMENT, INCLUDING YOUR USE OF IT.

© 2015 Thermo Fisher Scientific Inc. All rights reserved. All trademarks are the property of Thermo Fisher Scientific and its subsidiaries unless otherwise specified.

For support, visit www.thermofisher.com/techresources

25 July 2015