

# Neon<sup>™</sup> Transfection System

## USER GUIDE

For transfecting mammalian cells, including primary and stem cells, with high transfection efficiency

**Catalog Numbers** MPK5000, MPK1025, MPK1096, MPK10025, MPK10096

**Document Part Number** 251055

**Publication Number** MAN0001557

**Revision** C.0



Life Technologies Corporation | 5781 Van Allen Way | Carlsbad, California 92008 USA

For descriptions of symbols on product labels or product documents, go to [thermofisher.com/symbols-definition](https://www.thermofisher.com/symbols-definition).

The information in this guide is subject to change without notice.

**DISCLAIMER:** TO THE EXTENT ALLOWED BY LAW, THERMO FISHER SCIENTIFIC INC. AND/OR ITS AFFILIATE(S) WILL NOT BE LIABLE FOR SPECIAL, INCIDENTAL, INDIRECT, PUNITIVE, MULTIPLE, OR CONSEQUENTIAL DAMAGES IN CONNECTION WITH OR ARISING FROM THIS DOCUMENT, INCLUDING YOUR USE OF IT.

**Revision history:** Pub. No. MAN0001557

Revision	Date	Description
C.0	7 Sep 2021	Minor correction to electroporation protocol
B.0	1 March 2021	Update for RoHS2 compliance and SKU list
A.0	11 July 2014	New document

**Important Licensing Information:** These products may be covered by one or more Limited Use Label Licenses. By use of these products, you accept the terms and conditions of all applicable Limited Use Label Licenses.

**TRADEMARKS:** All trademarks are the property of Thermo Fisher Scientific and its subsidiaries unless otherwise specified.

©2021 Thermo Fisher Scientific Inc. All rights reserved.

# Contents

■ CHAPTER 1	Product information .....	6
	Product description .....	6
	Features .....	6
	Upon receiving the device .....	7
	Unpacking instructions .....	7
	Product contents .....	7
	Neon™ transfection system contents .....	7
	Neon™ kit contents .....	8
	System components .....	9
	Neon™ device .....	9
	Neon™ pipette station .....	10
	Neon™ Kits .....	10
	System overview .....	11
	Description of parts .....	12
	Neon™ device .....	12
	Neon™ pipette .....	12
	Neon™ pipette station .....	13
	Neon™ tube .....	13
	Neon™ tips .....	14
■ CHAPTER 2	Methods .....	15
	Getting started .....	15
	Install the Neon™ device with pipette station .....	15
	Register the device .....	17
	Electroporation protocol options .....	17
	Input values limit .....	17
	Input window .....	18
	Database window .....	19
	Optimization window .....	21
	Upgrade the firmware .....	22
	General guidelines .....	23
	Recommended kits .....	23
	Recommended buffers .....	23
	DNA quality and amount .....	24

siRNA quality and amount .....	24
Controls .....	24
Using the Neon™ Transfection System .....	25
Materials needed .....	25
Set up the Neon™ pipette station .....	26
Prepare adherent cells .....	27
Prepare suspension cells .....	28
Electroporation protocol .....	29
Optimization .....	33
Cleaning and maintenance .....	33
Optimization protocol for DNA and siRNA .....	33
Materials needed .....	33
General guidelines .....	34
24-well optimization protocol for adherent and suspension cell lines—day one .....	34
18-well optimization protocol for primary suspension blood cells—day one .....	36
Optimization protocol—day two .....	38
<i>Optional:</i> optimization protocol—day three .....	40
<b>■ APPENDIX A Troubleshooting .....</b>	<b>42</b>
Troubleshooting .....	42
Neon™ device error messages .....	46
<b>■ APPENDIX B Maintenance .....</b>	<b>47</b>
Repackaging the instrument .....	47
Repackaging and storage instructions .....	47
Replace the Pipette Gripper .....	48
<b>■ APPENDIX C Specifications .....</b>	<b>51</b>
Product specifications .....	51
<b>■ APPENDIX D Related products .....</b>	<b>52</b>
Accessory products .....	52
Additional products .....	52
Cell culture media .....	53
siRNA .....	53
<b>■ APPENDIX E Safety .....</b>	<b>54</b>
Safety information .....	54
Informational symbols .....	54
Informations de sécurité .....	55
Informational symbols .....	56

Chemical safety .....	57
Biological hazard safety .....	58
■ <b>APPENDIX F Documentation and support .....</b>	<b>59</b>
Customer and technical support .....	59
Limited product warranty .....	59



# Product information

## Product description

The Neon™ Transfection System is a novel, benchtop electroporation device that employs an electroporation technology by using the pipette tip as an electroporation chamber to efficiently transfect mammalian cells including primary and immortalized hematopoietic cells, stem cells, and primary cells.

The Neon™ Transfection System efficiently delivers nucleic acids, proteins, and siRNA into all mammalian cell types including primary and stem cells with a high cell survival rate. The transfection is performed using as few as  $1 \times 10^4$  or as many as  $5 \times 10^6$  cells per reaction using a sample volume of 10  $\mu$ L or 100  $\mu$ L in a variety of cell culture formats (60 mm, 6-well, 48-well, and 24-well).

The Neon™ Transfection System uses a single transfection kit (Neon™ Kit) that is compatible with various mammalian cell types including primary and stem cells thereby avoiding the need to determine an optimal buffer for each cell type.

The Neon™ Transfection System offers open and transparent protocols that are optimized for ease of use and simplicity. The Neon™ device is preprogrammed with one 24-well optimization protocol to optimize conditions for your nucleic acid/siRNA and cell type, or you can program and store up to 50 cell-specific protocols in the Neon™ device database. Optimized protocols for many commonly used cell types are also available at <https://www.thermofisher.com/us/en/home/life-science/cell-culture/transfection/neon-transfection-system/neon-transfection-system-cell-line-data.html> to maximize transfection efficiencies for your cell types.

See “Description of parts” on page 12 for details on various parts of the system.

## Features

Important features of the Neon™ Transfection System are listed below:

- User-friendly Neon™ device benchtop design that easily fits in your tissue culture hood for easy, efficient transfection of a wide variety of mammalian cells including primary and stem cells
- Ability to transfect  $1 \times 10^4$ – $5 \times 10^6$  cells per reaction in a sample volume of 10  $\mu$ L or 100  $\mu$ L in a variety of cell culture formats (60 mm, 6-well, 48-well, and 24-well)
- Utilizes a single buffer system for all cell types except primary suspension blood cells
- Simple touch screen interface for easy programming of electroporation parameters
- Available with one pre-programmed 24-well optimization protocol and the option to customize up to 50 cell specific protocols
- Built-in safety features in the device to enhance user safety

## Upon receiving the device

Examine the unit carefully for any damage incurred during transit. Any damage claims must be filed with the carrier. The warranty does not cover in-transit damage. To register the device, activate your warranty, and be notified of important updates, go to [thermofisher.com](http://thermofisher.com).

### Unpacking instructions

Consult the following instructions to unpack the Neon™ Transfection System. The weight of the Neon™ device is 13.2 pounds (6 kg).

1. Cut the plastic straps and remove the outer box. Save the outer box and other packaging material (in case you need to transport or ship the unit).
2. Remove the plastic bag containing the manual, the Neon™ Pipette box containing the pipette, and then remove the plastic bag containing the power cords from the box.
3. Remove the Neon™ device and the Neon™ pipette station from the box and place them on a flat, level surface.
4. Set up the Neon™ Transfection System as described on page 15.

## Product contents

### Neon™ transfection system contents

The contents of the Neon™ Transfection Systems are listed in the following table. The Neon™ Transfection System is shipped at room temperature.

See page 12 for specifications and description of the Neon™ Transfection System, and page 15 to set up the device.

Product	Quantity
Neon™ Transfection Device	1
Specific Power Cord (for US/Canada/Taiwan/Japan, Europe, and UK)	4
Neon™ Pipette	1
Neon™ Pipette Station	1
User Guide	1
USB Memory Device	1

## Neon™ kit contents

The Neon™ Kits are used with the Neon™ Transfection Systems for efficient transfection of mammalian cells and are available as standalone products (see “Accessory products” on page 52). The kits consist of two components which are not sold individually (a Tips/Tubes Kit, and a Buffer Kit), and are available in two formats (for electroporation of 10 µL samples, and 100 µL samples).

Neon™ Kit components are listed in the following table, and are shipped at room temperature.

**After receiving the kit, store buffers at 4°C and tips/tubes at room temperature.**

Catalog numbers that appear as links open the web pages for those products.

Item	Neon™ Kit, 10 µL		Neon™ Kit, 100 µL	
	Cat. No. <a href="#">MPK1025</a> (50 reactions)	Cat. No. <a href="#">MPK1096</a> (192 reactions)	Cat. No. <a href="#">MPK10025</a> (50 reactions)	Cat. No. <a href="#">MPK10096</a> (192 reactions)
<b>Tips/Tubes Kit</b>	<a href="#">MPK1025K</a>	<a href="#">MPK1096K</a>	<a href="#">MPK10025K</a>	<a href="#">MPK10096K</a>
Neon™ Tips	25 tips (10 µL)	96 tips (10 µL)	25 tips (100 µL)	96 tips (100 µL)
Neon™ Tubes	5	20	5	20
<b>Buffer Kit</b>	<a href="#">MPK1025B</a>	<a href="#">MPK1096B</a>	<a href="#">MPK10025B</a>	<a href="#">MPK10096B</a>
Resuspension Buffer R (Proprietary)	1 mL	3 × 1 mL	10 mL	30 mL
Resuspension Buffer T (Proprietary)	1 mL	3 × 1 mL	10 mL	30 mL
Electrolytic Buffer E (Proprietary)	75 mL	2 × 150 mL	—	—
Electrolytic Buffer E2 (Proprietary)	—	—	75 mL	2 × 150 mL



# System components

## Neon™ device

The Neon™ device is a simple, user friendly benchtop electroporation device. It is used with the Neon™ Pipette Station and Neon™ Kits to efficiently transfect mammalian cells including primary and stem cells. See “Description of parts” on page 12 for details.

### Front view



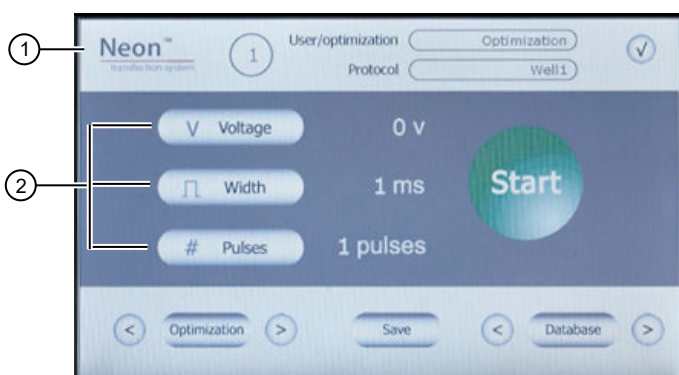
- ① Touchscreen

### Rear view



- ① USB port panel for USB memory device (unscrew the panel to access the port)
- ② High voltage port (connect to the high voltage connector of the Neon™ Pipette Station)
- ③ Sensor port (connect to the sensor connector of the Neon™ Pipette Station)
- ④ Power switch
- ⑤ AC inlet (connect to the power cord, and plug into the power outlet on the wall)
- ⑥ Fan

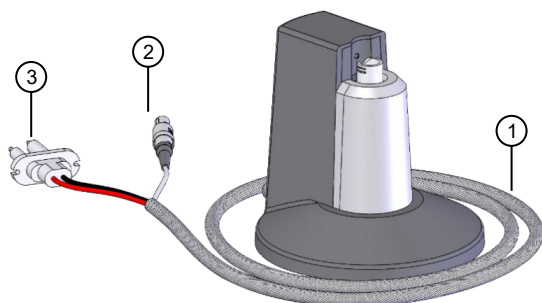
## User interface



- ① Digital Display shows the protocol in use and various protocol parameters
- ② Touchscreen buttons to operate the device

## Neon™ pipette station

The Neon™ Pipette Station is a unique component of the system that holds the Neon™ Pipette during electroporation, and protects the user from any electrical shock exposures. A high voltage and sensor connector which connects the pipette station to the Neon™ device. See “Description of parts” on page 12 for details.



- ① Connector cable
- ② Sensor connector
- ③ High voltage connector

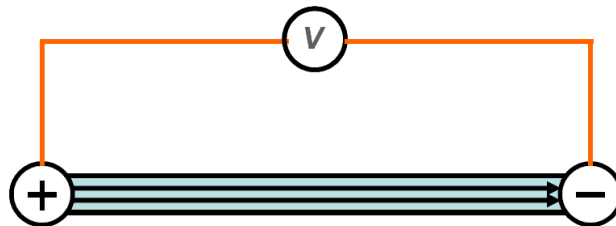
## Neon™ Kits

The Neon™ Kits (not supplied with the device) contain the Neon™ Tips, Neon™ Tubes, and buffers for electroporation. The Neon™ Kits are available in two formats for electroporation of 10  $\mu\text{L}$  or 100  $\mu\text{L}$  samples (See page 52 for ordering information). See page 12 for details on Neon™ Tips and Tubes.

## System overview

Unlike standard cuvette based electroporation, the Neon™ Transfection System uses a unique electroporation reaction chamber, the Neon™ Tip that delivers a high electric field to the biological sample. The Neon™ Tip maximizes the gap size between the two electrodes while minimizing the surface area of each electrode. As a result, the sample experiences a more uniform electric field, minimal pH change, less ion formation, and negligible heat generation.

This next generation electroporation technology overcomes many of the limitations associated with standard cuvette based electroporation thereby increasing transfection efficiency and cell viability, and providing an ergonomic workflow.



The transfection occurs in the uniquely designed Neon™ Tip using simple 3-step procedure.

1. Load a mixture of harvested cells and molecules to be delivered (e.g., DNA, RNA, siRNA) into the Neon™ Tip.
2. Plug the Neon™ Pipette with Neon™ Tip into position in the Neon™ Pipette Station with Neon™ Tube; select your protocol on the device, and press **Start**.
3. Unplug the Neon™ Pipette and transfer your transfected cells into a tissue culture vessel containing the appropriate medium.

## Description of parts

### Neon™ device

The Neon™ Device employs the pipette tip as an electroporation chamber to efficiently transfect mammalian cells including primary and immortalized hematopoietic cells, stem cells, and primary cells. The device is preprogrammed with a 24-well optimization protocol and supports a database to store up to 50 user-specified protocols.

See page 9 for a front and rear view of the device.



### Neon™ pipette

The Neon™ Pipette utilizes a positive displacement pipette mechanism for pipetting mixtures containing cells and nucleic acid or siRNA. The Neon™ Pipette is a fixed volume pipette and permanently calibrated at the manufacturing stage and does not require any further calibration.

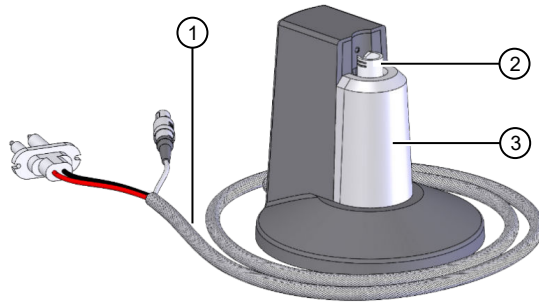
**The Neon™ Pipette is designed for use with Neon™ Tips only.** Do not use any other tips with the Neon™ Pipette.



## Neon™ pipette station

The Neon™ Pipette Station holds a Neon™ Pipette during electroporation procedures. The Neon™ Pipette Station is equipped with many safety sensors and protection mechanisms that protect the user from any exposures to an electrical shock. The Neon™ Pipette Station is connected to the Neon™ device using the high voltage and sensor connector (see page 15 for details).

The Neon™ Pipette Station also holds the Neon™ Tube which has an electrode near the bottom that transfers the electric field from the electrode inside the Neon™ Tip.



- ① Connector cable
- ② Area to insert the Neon™ Tube

- ③ Neon™ Pipette Station

## Neon™ tube

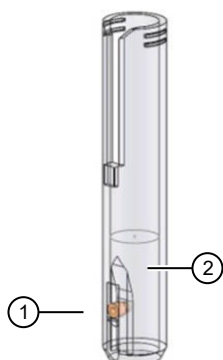
The Neon™ Tube holds the Electrolytic Buffer during electroporation and is inserted into the Neon™ Pipette Station. The Neon™ Pipette with the Neon™ Tip is then inserted into the Neon™ Tube which has an electrode near the bottom that transfers the electric field from the electrode inside the Neon™ Tip. The Neon™ Tubes are supplied with Neon™ Kits as well as available separately (see page 52).

**To avoid contamination, we strongly recommend using the tubes for a maximum of 10 times only.** We recommend changing tube and buffer when switching to a different plasmid DNA/siRNA or cell type.

### Tube Specifications:

Material: Polystyrene

Capacity: 2.5–4 mL



- ① Electrode
- ② Buffer

## Neon™ tips

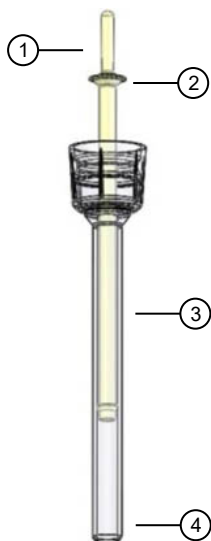
The Neon™ Tips are disposable tips composed of a tip and piston used with the Neon™ Pipette. The Neon™ Tips contain a gold-plated electrode to create a disposable electric chamber for the delivery of a high electric field to biological samples. The Neon™ Tips are supplied with Neon™ Kits in two formats to support operating volumes of 10  $\mu\text{L}$  and 100  $\mu\text{L}$ , respectively (see page 52 for ordering information).

**To ensure repeatability and eliminate variation of the transfection conditions within or between experiments, we recommend that you do not use the Neon™ Tip for more than 2 times.** Oxide formation at the piston surface area can be generated if the tips are used more than 2 times, which decreases electrode function of the piston.

### Tip specifications:

Material: Polypropylene

Capacity: 10  $\mu\text{L}$  or 100  $\mu\text{L}$



- ① Mounting stem
- ② Piston
- ③ Gold electrode
- ④ Tip



## Getting started

### Install the Neon™ device with pipette station

1. Unpack the Neon™ device as instructed in “Unpacking instructions” on page 7.
2. **Four power cords are shipped with the device to ensure that the cord you use is compatible with your local socket format.**
3. Place the Neon™ device on a level laboratory bench. Keep the area around the unit clear to ensure proper ventilation of the unit.

---

**Note:** The Neon™ device has a small footprint and can be easily set up in the tissue culture hood for convenience.

---

4. **For your safety:** Position the device properly such that the **power** switch and AC inlet located on the rear of the unit (see page 9) are easily accessible. Be sure to position the device such that it is easy to disconnect the unit.

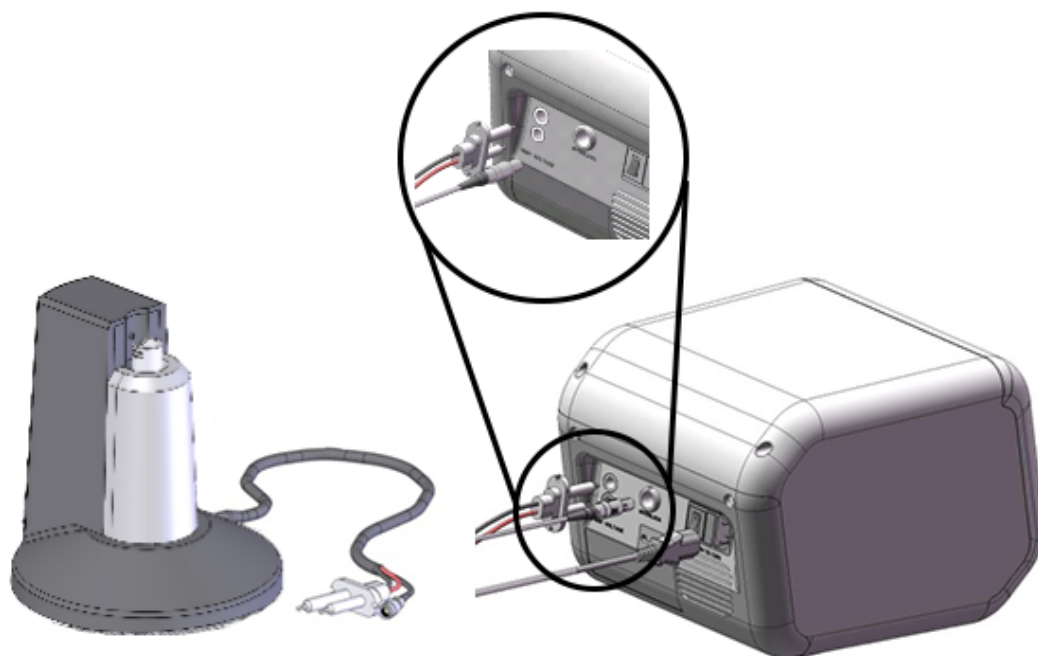
---

**Note:** Since Neon™ device is air-cooled, its surface may become hot during operation. When installing the device, leave a space of more than 10 cm from the back of the device.

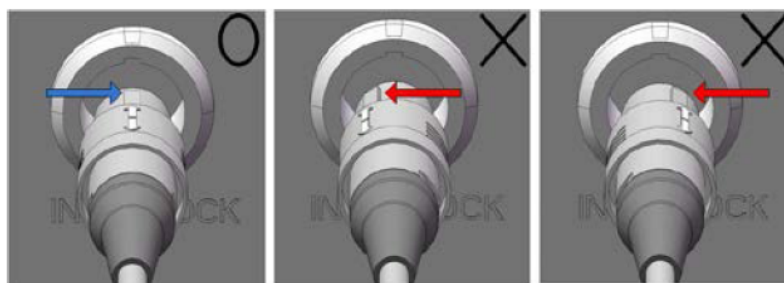
---

5. Place the Neon™ Pipette Station near the Neon™ device.

6. Connect the high voltage and sensor connector on the Neon™ Pipette Station to high voltage port and sensor port on the rear side of Neon™ device, respectively.



Be sure to align the ridge indicated by a white arrow on the sensor connector on the Neon™ Pipette Station with a groove indicated by a white dot on the sensor port of the Neon™ device (see figure for details).



---

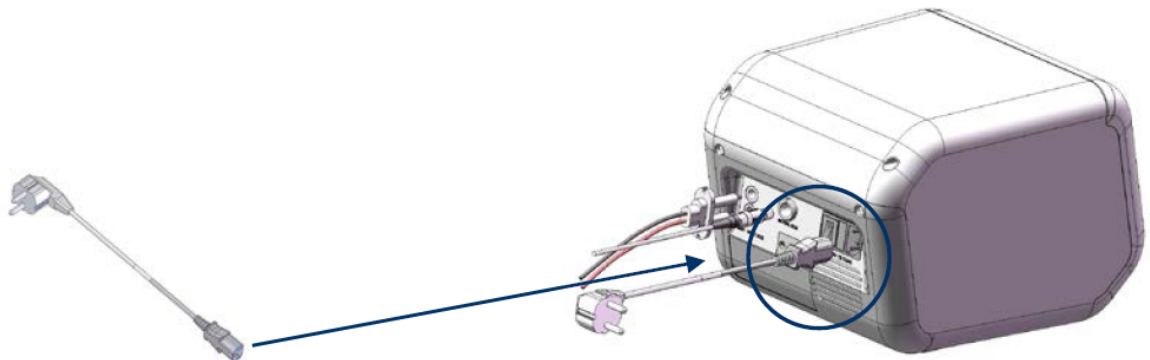
**IMPORTANT!** To connect or disconnect the sensor connector to the Neon™ device, always handle the sensor connector using the cord plug and not the cord cable.

---

7. Ensure the AC power switch is in the **Off** position ( see page 9).



8. Attach the power cord to the AC inlet on the rear of the Neon™ device and then to the electrical outlet. Use only properly grounded AC outlets and power cords.



9. To turn on the power, press the main power switch on the rear of the unit to **ON** position. The digital display shows start up screen (see page 17).
10. The Neon™ device is operated by the touch screen on the front of the device. You can easily input electroporation parameters by lightly touching the touch screen with a fingertip or a touch screen pen. See 17 for details.

You are ready to use the Neon™ Transfection System. See page 25 for details.

## Register the device

Visit [thermofisher.com](https://www.thermofisher.com) to register the device and activate your warranty or extended warranty, and ensure that you receive product updates, special offers, and faster service.

## Electroporation protocol options

There are three options to select an electroporation protocol for your cell type:

- If you already have the electroporation parameters for your cell type, input the parameters in the **Input Window** (see page 17).
- If you wish to add cell-specific electroporation parameters to the database on the device for future use, input the parameters in the **Database Window** (see page 19). You can also view our library of protocols for commonly used cell types from [thermofisher.com](https://www.thermofisher.com) and input the parameters in the **Database Window** (see below) for various cell types.
- If you do not have any specific electroporation parameters for your cell type and wish to perform optimization, use the **Optimization Window** (see page 21).

## Input values limit

The Neon™ device is designed to only input certain values and limits for each value are listed below. If your input value exceeds the maximum value, an error is displayed.

Input Voltage range: 500–2,500 V

Input Pulse Width range: 1–100 ms

Input Pulse Number range: 1–10

## Input window

To create a cell specific protocol, if you already have the electroporation parameters for your cell type:

1. Press the power switch (located at the rear of the unit, see page 9) to turn **ON** the Neon™ device. The unit checks to ensure that the Neon™ Pipette Station is connected to the device and then the start up screen is displayed.

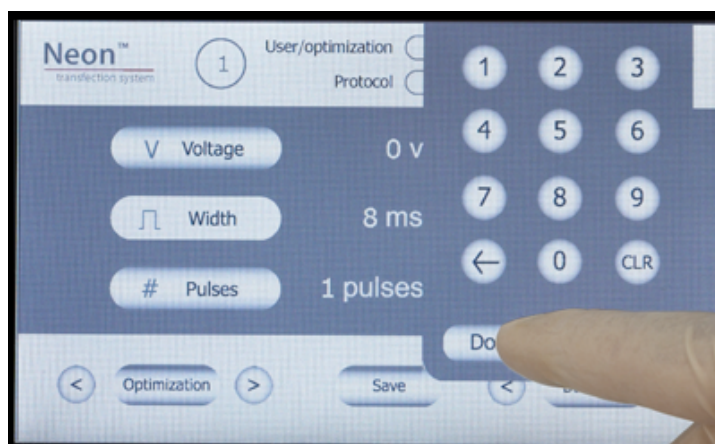


2. Press **Voltage** to activate the number key pad to input voltage value. Press the desired voltage value and press **Done** to save the value.

---

**Note:** If any input value is out of the limit, an error message is displayed and the lowest value of limit is automatically set.

---



3. Press **Width** to activate the number key pad to input width value. Press the desired width value and press **Done** to save the value.
4. Press **Pulses** to activate the number key pad to input pulse value. Press the desired pulse value and press **Done** to save the value.
5. If you wish to save these electroporation parameters, press **Save** on the main screen to save the protocol in the database.

6. Press the desired protocol number button to edit the protocol. The selected protocol is highlighted.
7. Once the Edit screen is displayed, enter the **User** name by pressing the key pad buttons. The cursor automatically moves to the next field **Protocol** and is highlighted red. Continue to enter the information for **Voltage**, **Width**, and **Pulse**.
8. Press **Enter** to save the information in the database.
9. Proceed to preparing cells (see pages 27–28) and DNA, and setting up the Neon™ Pipette Station for electroporation (see page 25).

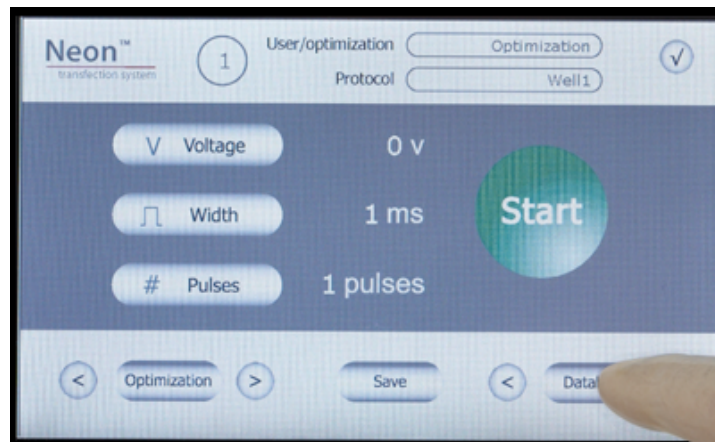
## Database window

Enter cell-specific protocols into the database. The database can store up to 50 cell-specific protocols.

1. Press the power switch (located at the rear of the unit, see page 9) to turn **ON** the Neon™ device. The unit checks to ensure that the Neon™ Pipette Station is connected to the device and then the start up screen is displayed.



2. Press **Database** button to start the database window. To scroll through the protocols in the database, use the right/left scroll buttons near the Database button.



The Database window shows:

- **Number** button: Indicates protocol number
- **User and Protocol**: Displays the user and protocol name
- Parameters (**Voltage, Width, Pulse**): Displays the electroporation parameter for each protocol
- Function buttons (**Load, Edit, and Delete**): Used to load, edit, or delete a protocol. The function buttons are activated only after a protocol is selected.
- **Page** scroll: To scroll to or

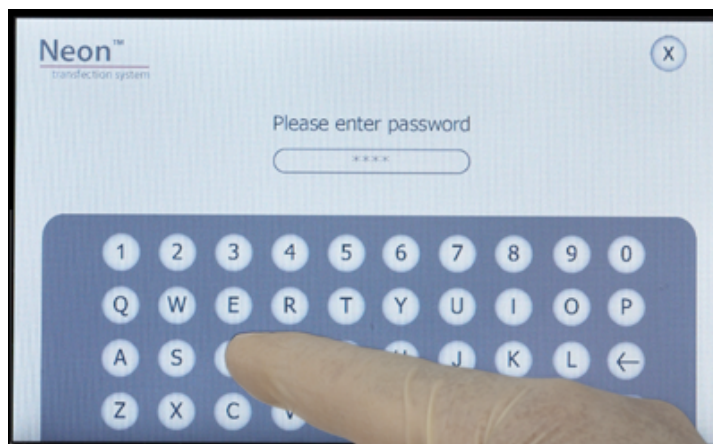
3. Press the desired protocol number button to edit the protocol. The selected protocol is highlighted.



4. Once the Edit screen is displayed, enter the **User** name by pressing the key pad buttons. The cursor automatically moves to the next field **Protocol** and is highlighted red. Continue to enter the information for **Voltage, Width, and Pulse**.



If you wish to password protect the protocol, enter the **Password** (up to 7 characters) and **Repeat Password** information using the key pad.



5. Press **Enter** to save the information in the database. To exit the edit screen without saving the parameters, press **X**.
6. The database window is displayed. Press the desired protocol and then press **Load** to load electroporation parameters from the database.
7. Proceed to preparing cells (see pages 27–28) and DNA, and setting up the Neon™ Pipette Station for electroporation (see page 25).
8. To delete a protocol from the database, select the protocol by pressing the protocol number button. Press **Delete**. If the protocol in the database was password protected, a password screen is displayed. Enter the password and press **Enter** to delete the protocol.

## Optimization window

Perform optimization of electroporation parameters using the preprogrammed 24-well optimization protocol. **These protocols are locked and cannot be edited.**

1. Press the power switch (located at the rear of the unit, see page 9) to turn **ON** the Neon™ device. The unit checks to ensure that the Neon™ Pipette Station is connected to the device and then the start up screen is displayed.



2. Press **Optimization** button to start the optimization window. To scroll through the protocols, use the right/left scroll buttons near the Optimization button.

The Optimization window shows:

- **Number** button: Indicates protocol number
  - **User and Protocol**: Displays the optimization and well number
  - **Parameters (Voltage, Width, Pulse)**: Displays the electroporation parameter for each protocol
  - **Load** Function buttons: Used to load a protocol. The Load button is activated only after a protocol is selected.
  - **Page** scroll: To scroll to or
3. Press the desired protocol number button. The selected protocol is highlighted. Press **Load** to load the protocol. To exit the screen without loading the protocol, press **X**.



4. The electroporation parameters are displayed on the start up screen.
5. Proceed to preparing cells (see pages 27–28) and DNA, and setting up the Neon™ Pipette Station for electroporation (see page 25).

## Upgrade the firmware

Upgrades for the Neon™ device firmware are available. To download Neon™ device firmware upgrades, go to [thermofisher.com](https://www.thermofisher.com). Follow instructions on the page to download the upgrades.

# General guidelines

## Recommended kits

To use the Neon™ device for electroporation of mammalian cells, you need to purchase the Neon™ Kits. Ordering information is on page 52. **Do not** use any other kits with the unit.

---

**Note:** To obtain the best results, follow these recommendations:

- Based on your initial results, you may need to optimize the electroporation parameters for your cell type and DNA/siRNA. A preprogrammed 24-well optimization protocol is included in the device for your convenience.
  - Before using the device with your samples, ensure that you are able to insert and use the Neon™ Pipette and Tip correctly into the Neon™ Pipette Station (see page 25 for details).
  - Wear gloves, laboratory coat, and safety glasses during electroporation.
  - Always use the Neon™ device with Neon™ Kits for electroporation of mammalian cells.
  - The Neon™ Transfection System is compatible for use with most mammalian cells including primary and stem cells.
  - **Use high quality DNA and siRNA to obtain good transfection efficiency.**
  - Follow the guidelines on pages 27–28 for cell preparation.
  - Use an appropriate GFP (green fluorescent protein) construct or siRNA control (see page 24 for details) to determine transfection efficiency.
  - Discard the Neon™ Tips after 2 usages and Neon™ Tubes after 10 usages as a biological hazard. We strongly recommend changing tube and buffer when switching to a different plasmid DNA/siRNA or cell type.
  - Visit [thermofisher.com](https://www.thermofisher.com) for a library of electroporation protocols for commonly used cell types.
- 

## Recommended buffers

The Neon™ Kits contain two Resuspension Buffers. Use the appropriate Resuspension Buffer based on the voltage.

### Resuspension Buffer R:

Use Resuspension Buffer R for all cell types and electroporation protocols. For high voltage protocols ( $\geq 1900V$ ), optimize with both Resuspension Buffer R and T. If arcing occurs with Resuspension Buffer R consider switching to Resuspension Buffer T.

### Resuspension Buffer T:

Use Resuspension Buffer T with high voltage protocols of 1900V or more.

Cell-specific Neon™ transfection protocols available at <https://www.thermofisher.com/us/en/home/life-science/cell-culture/transfection/neon-transfection-system/neon-transfection-system-cell-line-data.html> indicate the type of Resuspension buffer for use with each cell type.

## DNA quality and amount

The quality and concentration of DNA used for electroporation plays an important role for the transfection efficiency. We strongly recommend using high quality plasmid purification kits such as PureLink™ HiPure Plasmid DNA Purification Kits (see page 52) to prepare DNA.

- Resuspend the purified DNA in deionized water or TE buffer (10 mM Tris-HCl, 1 mM EDTA, pH 8.0) at a concentration between 1–5 µg/µL. Concentrations may vary depending on cell type.
- The DNA amount should not exceed 10% of total volume used.
- Check the purity of the purified DNA preparation by measurement of the  $A_{260/280}$  ratio. The ratio should be at least 1.8 for electroporation.
- The device has been routinely tested with 4–7 kb plasmids and plasmids up to approximately 20 kb should not be a problem. Using plasmids larger than 20 kb will most likely lower transfection efficiency.

---

**IMPORTANT!** Do not precipitate DNA with ethanol to concentrate DNA. Concentrated DNA by ethanol precipitation shows poor transfection efficiency and cell viability due to salt contamination.

---

## siRNA quality and amount

The quality and concentration of siRNA used for electroporation plays an important role for the transfection efficiency. We strongly recommend using high quality siRNA such as Stealth™, Silencer™ Select, or Silencer™ siRNA.

- The recommended starting siRNA concentration is 100–250 µM in nuclease-free water.
- The siRNA amount should not exceed 10% of total volume used.

## Controls

### GFP control

To initially assess transfection efficiency for your cell type using fluorescent microscopy, we recommend using a plasmid encoding GFP (green fluorescent protein) or any colored variant of GFP (Clontech™ or equivalent). For best results, the vector encoding the GFP should have the following features:

- Strong promoter active in a variety of mammalian cells such as the immediate early CMV (cytomegalovirus) promoter
- SV40 polyadenylation signals downstream of the GFP gene for proper processing of the 3' end of the GFP mRNA.
- Antibiotic selection marker
- pUC origin of replication for propagation in *E. coli*

### siRNA control

For siRNA experiments, use BLOCK-iT™ Fluorescent Oligo™ for electroporation or Silencer™ Select GAPDH Positive Control siRNA (see page 52) to assess transfection efficiency.



## Using the Neon™ Transfection System

Instructions are provided in this section to use the Neon™ device with the Neon™ Pipette Station and Neon™ Kits for electroporation of mammalian cells.

General instructions to prepare cells for use with the Neon™ Transfection System are described below. For primary and stem cell types, use the established methods developed in the laboratory.

See “Optimization protocol for DNA and siRNA” on page 33 if you wish to use the preprogrammed optimization protocol.

### Materials needed

See page 52 for ordering information.

- Cells
- Neon™ Kits
- High quality DNA at a concentration of 1–5 µg/µL in deionized water or TE buffer, or high quality RNAi duplex at a concentration of 100–250 µM in nuclease-free water (see page 24)
- Cell culture plates containing the appropriate medium
- D-PBS or Phosphate buffered saline (PBS) without Ca<sup>2+</sup> and Mg<sup>2+</sup> (see page 52)
- Trypsin/EDTA or TrypLE™ Express (Cat. No. [12563](#)) for adherent cells
- Countess™ Automated Cell Counter (see page 52) or equivalent

---

**Note:** If you are a first time user of the Neon™ Transfection System, we recommend that you review the protocol below and ensure that you are able to insert and use the Neon™ Pipette and Tip correctly into the Neon™ Pipette Station (see below for details) before you start using the system with your samples.

---

### IMPORTANT!

- To obtain the highest transfection efficiency and low non-specific effects, optimize transfection conditions by varying electrical parameters as described in “Optimization protocol for DNA and siRNA” on page 33 using the pre-programmed optimization protocol in a 24-well format.
- Since the cell culture conditions vary from user to user, be sure to use low passage number, actively dividing cells (for dividing cells)
- For siRNA transfection, the concentration of RNAi duplex required will vary depending on the efficacy of the duplex. After the initial results, vary the siRNA final concentration from 10–200 nM.

---

**Note:** The siRNA concentration in the Neon™ transfection protocol refers to the siRNA concentration in the culture medium and not to the siRNA concentration in the electroporation mix in the Neon™ Tip.

---

## Set up the Neon™ pipette station

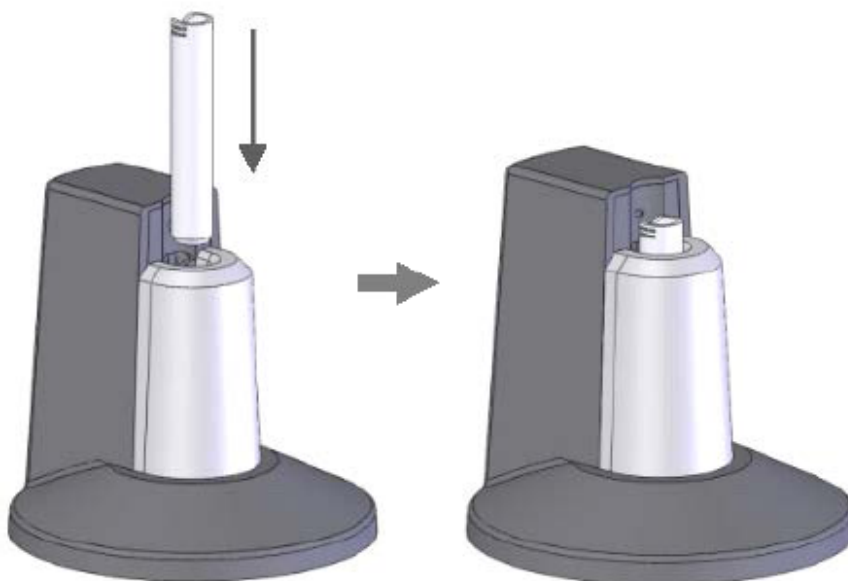
1. Ensure the Neon™ Pipette Station is connected to the Neon™ device (see page 15).
2. Fill the Neon™ Tube with 3 mL of Electrolytic Buffer (**use Buffer E for 10 µL Neon™ Tip and Buffer E2 for 100 µL Neon™ Tip**).

---

**Note:** Make sure that the electrode on the side of the tube is completely immersed in buffer.

---

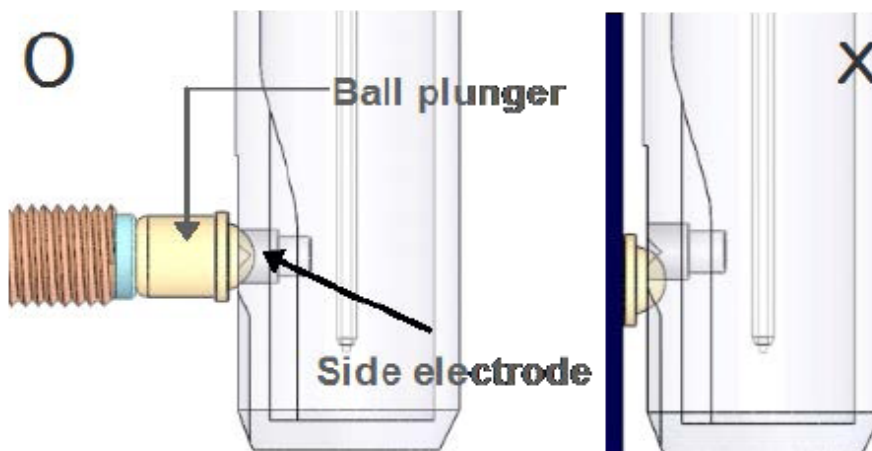
3. Insert the Neon™ Tube into the Neon™ Pipette Station until you hear a click sound.



---

**Note:** Make sure that the side electrode of the Neon™ tube is well connected to the side ball plunger of the Neon™ Pipette Station (see figure on the left below for correct position).

---



4. The station is ready for use. Proceed to “Prepare adherent cells” on page 27.

## Prepare adherent cells

1. Cultivate the required number of cells (70–90% confluent on the day of transfection) by seeding a flask containing fresh growth medium 1–2 days prior to electroporation.  
For most optimized protocols, seed with:
  - $5 \times 10^4$  to  $2 \times 10^5$  cells for each 10  $\mu\text{L}$  Neon™ Tip
  - $5 \times 10^5$  to  $2 \times 10^6$  cells for each 100  $\mu\text{L}$  Neon™ Tip
2. Pre-warm an aliquot of culture medium containing serum, PBS (without  $\text{Ca}^{2+}$  and  $\text{Mg}^{2+}$ ), and Trypsin/EDTA solution to 37°C.
3. Aspirate the media from cells and rinse the cells using PBS (without  $\text{Ca}^{2+}$  and  $\text{Mg}^{2+}$ ).
4. Trypsinize the cells using Trypsin/EDTA or TrypLE™ Express (Cat. no. [12563](#)).
5. After neutralization, harvest the cells in growth medium with serum (~0.75 mL for a 10  $\mu\text{L}$  Neon™ Tip or 7.5 mL for a 100  $\mu\text{L}$  Neon™ Tip).
6. Take an aliquot of trypsinized cell suspension and count cells to determine the cell density.
7. Transfer the cells to a 1.5 mL microcentrifuge tube or a 15 mL conical tube and centrifuge the cells at 100–400  $\times g$  for 5 minutes at room temperature.
8. Wash cells with PBS (without  $\text{Ca}^{2+}$  and  $\text{Mg}^{2+}$ ) by centrifugation at 100–400  $\times g$  for 5 minutes at room temperature.
9. Aspirate the PBS and resuspend the cell pellet in Resuspension Buffer R (or Resuspension Buffer T for programs  $\geq 1900\text{V}$ ) at a final density of  $1.0 \times 10^7$  cells/mL. Gently pipette the cells to obtain a single cell suspension.

---

**Note:** Avoid storing the cell suspension for more than 15–30 minutes at room temperature, which reduces cell viability and transfection efficiency. The resuspension cell density may be adjusted to accommodate the recommended cell numbers for the electroporation protocol (see page 29) or optimization protocols (see pages 34–40).

---
10. Prepare 24-well plates by filling the wells with 0.5 mL of culture medium containing serum and supplements **without antibiotics** and pre-incubate plates in a humidified 37°C/5%  $\text{CO}_2$  incubator. If you are using other plate format, see page 29 for plating medium volume recommendations.

## Prepare suspension cells

1. Cultivate the required number of cells (cell density  $\sim 1\text{--}3 \times 10^6$  cells/T-25 flask) by seeding a flask containing fresh growth medium 1–2 days prior to electroporation.

For most optimized protocols, seed with:

- $1\text{--}5 \times 10^5$  cells for each 10  $\mu\text{L}$  Neon™ Tip
  - $1\text{--}5 \times 10^6$  cells for each 100  $\mu\text{L}$  Neon™ Tip
2. Pre-warm an aliquot (500  $\mu\text{L}$  per sample for 10  $\mu\text{L}$  Neon™ Tips or 5 mL for 100  $\mu\text{L}$  Neon™ Tips) of culture medium containing serum. Also prepare an appropriate volume of PBS (without  $\text{Ca}^{2+}$  and  $\text{Mg}^{2+}$ ).
  3. Take an aliquot of cell culture and count the cells to determine the cell density.
  4. Transfer the cells to a microcentrifuge tube or 15 mL conical tube and pellet the cells by centrifugation at  $100\text{--}400 \times g$  for 5 minutes at room temperature.
  5. Wash the cells with PBS (without  $\text{Ca}^{2+}$  and  $\text{Mg}^{2+}$ ) and pellet the cells by centrifugation at  $100\text{--}400 \times g$  for 5 minutes at room temperature.
  6. Aspirate the PBS and resuspend the cell pellet in Resuspension Buffer R (or Resuspension Buffer T for programs  $\geq 1900\text{V}$ ) at a final density of  $2.0 \times 10^7$  cells/mL. Gently pipette the cells to obtain a single cell suspension.

---

**Note:** Avoid storing the cell suspension for more than 15–30 minutes at room temperature, which reduces cell viability and transfection efficiency. The resuspension cell density may be adjusted to accommodate the recommended cell numbers for the electroporation protocol (see page 29) or optimization protocols (see pages 34–40).

---

7. Prepare 24-well plates by filling the wells with 0.5 mL of culture medium containing serum and supplements **without antibiotics** and pre-incubate plates in a humidified  $37^\circ\text{C}/5\%$   $\text{CO}_2$  incubator. If you are using other plate format, see page 29 for plating medium volume recommendations.

## Electroporation protocol

1. Make sure you have appropriate number of cells prepared as described on pages 27–28, have the plasmid DNA or siRNA at the suggested concentrations (see page 24), and prepare a plate containing culture medium **without antibiotics** to transfer the electroporated cells.  
For details on optimizing the transfection efficiency of your cells, see “Optimization protocol for DNA and siRNA” on page 33.
2. For each electroporation sample, the recommended amount of plasmid DNA or siRNA, cell number, and volume of plating medium **per well** are listed below.

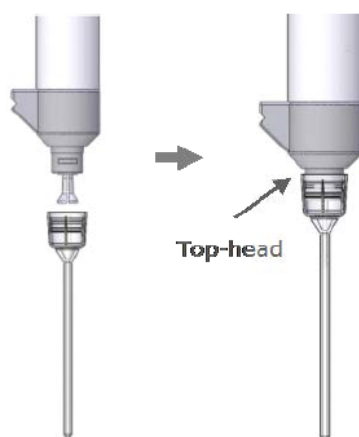
**IMPORTANT! Use Resuspension Buffer T with high voltage protocols of 1900 V or more. If arcing occurs with Resuspension Buffer R, consider switching to Resuspension Buffer T.**

Format	Cell Type	DNA (µg)	siRNA (nM)	Neon™ Tip	Vol. plating medium	Cell no.	Buffer R or Buffer T <sup>[1]</sup>
96-well	Adherent	0.25–0.5	10–200	10 µL	100 µL	1–2 × 10 <sup>4</sup>	10 µL/well
	Suspension	0.5–1		10 µL		2–5 × 10 <sup>4</sup>	10 µL/well
48-well	Adherent	0.25–1	10–200	10 µL	250 µL	2.5–5 × 10 <sup>4</sup>	10 µL/well
	Suspension	0.5–2		10 µL		5–12.5 × 10 <sup>4</sup>	10 µL/well
24-well	Adherent	0.5–2	10–200	10 µL	500 µL	0.5–1 × 10 <sup>5</sup>	10 µL/well
	Suspension	0.5–3		10 µL		1–2.5 × 10 <sup>5</sup>	10 µL/well
12-well	Adherent	0.5–3	10–200	10 µL	1 mL	1–2 × 10 <sup>5</sup>	10 µL/well
	Suspension	0.5–3		10 µL		2–5 × 10 <sup>5</sup>	10 µL/well
6-well	Adherent	0.5–3 (10 µL) 5–30 (100 µL)	10–200	10 µL/100 µL	2 mL	2–4 × 10 <sup>5</sup>	10 µL or 100 µL/well
	Suspension	0.5–3 (10 µL) 5–30 (100 µL)		10 µL/100 µL		0.4–1 × 10 <sup>6</sup>	10 µL or 100 µL/well
60 mm	Adherent	5–30	10–200	100 µL	5 mL	0.5–1 × 10 <sup>6</sup>	100 µL/well
	Suspension	5–30		100 µL		1–2.5 × 10 <sup>6</sup>	100 µL/well
10 cm	Adherent	5–30	10–200	100 µL	10 mL	1–2 × 10 <sup>6</sup>	100 µL/well
	Suspension	5–30		100 µL		2–5 × 10 <sup>6</sup>	100 µL/well

<sup>[1]</sup> Use Resuspension Buffer T for primary suspension blood cells.

3. Set up a Neon™ Tube with 3 mL Electrolytic Buffer (use Buffer E for 10 µL Neon™ Tip and Buffer E2 for 100 µL Neon™ Tip) into the Neon™ Pipette Station (see page 26).

4. Set the desired pulse conditions on the device based on your cell type (see “Electroporation protocol options” on page 17).
5. Transfer the appropriate amount of plasmid DNA/siRNA into a sterile, 1.5 mL microcentrifuge tube.
6. Add cells to the tube containing plasmid DNA/siRNA and gently mix. See the table for cell concentration, DNA, and plating volumes to use.
7. To insert a Neon™ Tip into the Neon™ Pipette, press the push-button on the pipette to the second stop to open the clamp.
8. Insert the top-head of the Neon™ Pipette into the Neon™ Tip until the clamp fully picks up the mounting stem of the piston (see below)

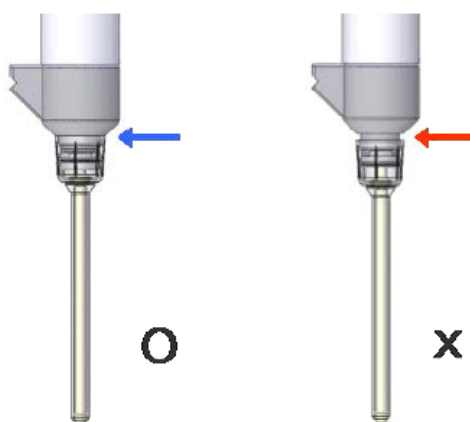


9. Gently release the push-button, continuing to apply a downward pressure on the pipette, ensuring that the tip is sealed onto the pipette without any gaps.

---

**Note:** Ensure that the Neon™ Pipette and Tip are tightly connected without a gap (see figure on the left) for trouble-free pipetting and proper electrical connection.

---



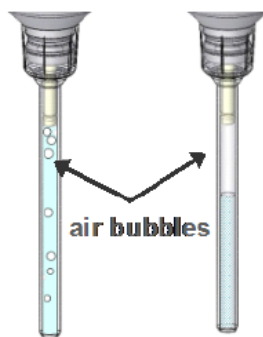
10. Press the push-button on the Neon™ Pipette to the first stop and immerse the Neon™ Tip into the cell-DNA/siRNA mixture. Slowly release the push-button on the pipette to aspirate the cell-DNA/siRNA mixture into the Neon™ Tip.



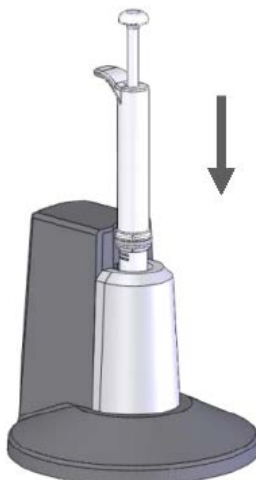
---

**Note:** Avoid air bubbles during pipetting as air bubbles cause arcing during electroporation leading to lowered or failed transfection. If you notice air bubbles in the tip, discard the sample and carefully aspirate the fresh sample into the tip again without any air bubbles.

---



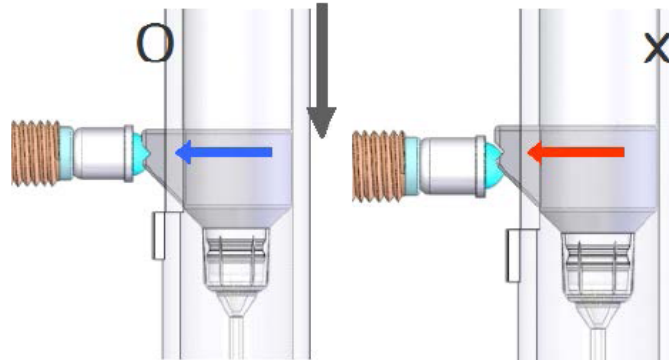
11. Insert the Neon™ Pipette with the sample vertically into the Neon™ Tube placed in the Neon™ Pipette Station until you hear a click sound. Ensure that the pipette projection is inserted into the groove of the pipette station.



---

**Note:** Ensure the metal head of the Neon™ Pipette is tightly connected to the ball plunger inside of the Neon™ Pipette Station and to the Neon™ Tube (see figure on the left for the correct position).

---



12. Ensure that you have selected the appropriate electroporation protocol and press **Start** on the touchscreen.
13. The Neon™ device automatically checks for the proper insertion of the Neon™ Tube and Neon™ Pipette before delivering the electric pulse.

---

**Note:** Monitor the Neon™ Tip during electroporation to see if there is any arcing (sparks) that is caused by the presence of bubbles in the tip. Arcing results in low transfection efficiency and cell viability.

---

14. After delivering the electric pulse, **Complete** is displayed on the touchscreen to indicate that electroporation is complete.
15. Slowly remove the Neon™ Pipette from the Neon™ Pipette Station and immediately transfer the samples from the Neon™ Tip by pressing the push-button on the pipette to the first stop into the prepared culture plate containing prewarmed medium.

---

**Note:** We strongly recommend loading electroporated cells into growth medium **without antibiotics** that can greatly reduce the viability of your cells after transfection.

---

16. To discard the Neon™ Tip, press push-button to the second stop into an appropriate biological hazardous waste container.
17. Repeat Steps 7–16 for the remaining samples.  
Be sure to change the Neon™ Tips after using it twice and Neon™ Tubes after 10 usages. Use a new Neon™ Tip and Neon™ Tube for each new plasmid DNA sample.
18. Gently rock the plate to assure even distribution of the cells. Incubate the plate at 37°C in a humidified CO<sub>2</sub> incubator.
19. If you are not using the Neon™ device, turn the power switch on the rear to **OFF**.
20. Assay samples to determine the transfection efficiency (e.g., fluorescence microscopy or functional assay) or gene knockdown (for siRNA).



## Optimization

Based on your initial results, you may need to optimize the electroporation parameters for your cell type. See “Optimization protocol for DNA and siRNA” on page 33 for using the 18-well or preprogrammed 24-well optimization protocol on the Neon™ device.

## Cleaning and maintenance

Clean the surface of the Neon™ device and Neon™ Pipette Station with a damp cloth. **Do not** use harsh detergents or organic solvents to clean the unit. The Neon™ Pipette is permanently calibrated at the manufacturer and does not require any further calibration.

---

**IMPORTANT!** Avoid spilling any liquid inside of the Neon™ Pipette Station to prevent any build up of rust on the ball plunger in the pipette station.

---

In case you accidentally spill any liquid (e.g., buffer, water, coffee) inside the Neon™ Pipette Station, disconnect the station from the main device and wipe the station using dry laboratory paper. Invert and allow the station to completely dry for 24 hours at room temperature. **Do not use the oven to dry the Neon™ Pipette Station.** If the station does not work after drying, contact Technical Support.

For any other repairs and service, contact Technical Support. **Do not** perform any repairs or service on the Neon™ device yourself as it is a high voltage hazard and to avoid any damage to the unit or voiding your warranty.

## Optimization protocol for DNA and siRNA

Electroporation is mainly dependent on the combination of three electric parameters such as the electric field, pulse width, and pulse number. Based on your initial results, you may need to optimize the electroporation parameters for your cell type especially the hard-to-transfect cells.

The Neon™ device is preprogrammed with a 24-well optimization protocol using the 10 µL or 100 µL Neon™ Tip that allows you to quickly optimize electric parameters for many adherent and suspension cell lines within days.

**For primary blood suspension cells, use the 18-well optimization protocol with Resuspension Buffer T as described on page 36.**

## Materials needed

See page 52 for ordering information.

- Neon™ 10 µL or 100 µL Kit
- Cells in Resuspension Buffer (prepared as described on pages 27–28)
- High quality DNA at a concentration of 1–5 µg/µL in deionized water or TE buffer or high quality RNAi duplex at a concentration of 100–250 µM in nuclease-free water (see page 24)
- Cell culture plates containing the appropriate medium

## General guidelines

General guidelines for optimization are described below. For a detailed protocols, see page 34 for adherent and suspension cell line optimization, and page 36 for primary suspension blood cell optimization.

### Optimization for plasmid

1. Perform 24-well optimization using the preprogrammed parameters.
2. Based on results from Step 1, perform optimization using narrower (bracket) parameters.
3. Based on results from Step 2, further refine the parameters to obtain optimal conditions (this is optional step).

### Optimization for siRNA

1. Perform 24-well optimization using the preprogrammed parameters.
2. Based on results from Step 1, perform optimization using narrower (bracket) parameters.
3. Based on results from Step 2, perform optimization by varying siRNA final concentrations to 10 nM, 30 nM, 100 nM, and 200 nM.

## 24-well optimization protocol for adherent and suspension cell lines—day one

1. Make sure you have cells prepared as described on pages 27–28, have the DNA or siRNA, and prepare a 24-well plate containing 0.5 mL culture medium with serum and **without antibiotics** to transfer the electroporated cells. Prepare enough cells and plasmid DNA/siRNA for at least 30 transfections.
2. For each electroporation sample using the **10 µL Neon™ Tip** in **24-well** format, see table. For using the 100 µL Neon™ Tip in **24-well** format, adjust the amounts listed in the table appropriately by 10-fold.

Cell type	Cell no.	DNA	siRNA	Resuspension Buffer R
Adherent	$1 \times 10^5$ /well	0.5 µg DNA/well 15 µg/plate	50 pmol in 10 µL tip 100 nM per well	10 µL/well 285 µL/plate
Suspension	$2 \times 10^5$ /well	1 µg DNA/well 30 µg/plate	100 pmol in 10 µL tip 200 nM per well	10 µL/well 270 µL/plate

3. Set up a Neon™ Tube with 3 mL Electrolytic Buffer (use Buffer E for 10 µL Neon™ Tip and Buffer E2 for 100 µL Neon™ Tip) into the Neon™ Pipette Station containing the cell-DNA/siRNA mixture as described on page 26.

4. Press **Optimization** and load the optimization protocols to begin electroporation using the parameters listed below.

Sample	Well no.	Pulse voltage	Pulse width	Pulse no.	Results			
					Transfection efficiency	Cell viability		
1	A1	Use pre-optimized parameter or control without electroporation.						
2	A2	1400	20	1				
3	A3	1500	20	1				
4	A4	1600	20	1				
5	A5	1700	20	1				
6	A6	1100	30	1				
7	B1	1200	30	1				
8	B2	1300	30	1				
9	B3	1400	30	1				
10	B4	1000	40	1				
11	B5	1100	40	1				
12	B6	1200	40	1				
13	C1	1100	20	2				
14	C2	1200	20	2				
15	C3	1300	20	2				
16	C4	1400	20	2				
17	C5	850	30	2				
18	C6	950	30	2				
19	D1	1050	30	2				
20	D2	1150	30	2				
21	D3	1300	10	3				
22	D4	1400	10	3				
23	D5	1500	10	3				
24	D6	1600	10	3				

5. After electroporation, immediately remove the Neon™ Pipette and transfer samples from the 10  $\mu$ L Neon™ Tip into prewarmed 0.5 mL culture medium.  
For 100  $\mu$ L Neon™ Tip, dilute samples 10-fold in 900  $\mu$ L medium and transfer 100  $\mu$ L of the sample to 0.4 mL prewarmed culture medium.
6. Repeat Steps 3–5 for the remaining samples.

- Gently rock the plate to assure even distribution of the cells. Incubate the plate at 37°C in a humidified CO<sub>2</sub> incubator.
- Assay samples to determine the transfection efficiency (e.g., fluorescence microscopy or functional assay) or gene knockdown (for siRNA). Select the best conditions and proceed to the next day's experiment, "Optimization protocol—day two" on page 38.

## 18-well optimization protocol for primary suspension blood cells—day one

- Make sure you have cells prepared as described on pages 27–28, have the DNA or siRNA, and prepare 18-wells of a 24-well plate containing 0.5 mL culture medium with serum and **without antibiotics** to transfer the electroporated cells. Prepare enough cells and plasmid DNA or siRNA for at least 20 transfections.
- For each electroporation sample using the **10 µL Neon™ Tip** in **18-wells of a 24-well plate**, see table.

Cell type	Cell no.	DNA	siRNA	Resuspension Buffer T
Primary blood suspension cells	2 × 10 <sup>5</sup> /well	1 µg DNA/well 20 µg/plate	100 pmol in 10 µL tip 200 nM per well	10 µL/well 180 µL/plate

- Set up a Neon™ Tube with 3 mL Electrolytic Buffer E into the Neon™ Pipette Station and Neon™ Tip containing the cell-DNA/siRNA mixture.
- Input the electroporation parameters in the Input window and perform electroporation using the parameters listed below.

Sample	Well no.	Pulse voltage	Pulse width	Pulse no.	Results	
					Transfection efficiency	Cell viability
1	A1	Use pre-optimized parameter or control without electroporation.				
2	A2	2000	20	1		
3	A3	2050	20	1		
4	A4	2100	20	1		
5	A5	2150	20	1		
6	A6	2200	20	1		
7	B1	2250	20	1		
8	B2	2300	20	1		
9	B3	2350	20	1		
10	B4	2400	15	1		
11	B5	2450	15	1		
12	B6	2500	15	1		

(continued)

Sample	Well no.	Pulse voltage	Pulse width	Pulse no.	Results	
					Transfection efficiency	Cell viability
13	C1	2000	15	2		
14	C2	2050	15	2		
15	C3	2100	15	2		
16	C4	2150	15	2		
17	C5	2200	15	2		
18	C6	2250	15	2		

5. After electroporation, immediately remove the Neon™ Pipette and transfer samples from the 10 µL Neon™ Tip into prewarmed 0.5 mL culture medium.
6. Repeat Steps 3–5 for the remaining samples.
7. Gently rock the plate to assure even distribution of the cells. Incubate the plate at 37°C in a humidified CO<sub>2</sub> incubator.
8. Assay samples to determine the transfection efficiency (e.g., fluorescence microscopy or functional assay) or gene knockdown (for siRNA). Select the best conditions and proceed to the next day's experiment, "Optimization protocol—day two" on page 38.

## Optimization protocol—day two

Select the best transfection conditions obtained from the previous experiment and fine-tune the optimization by narrowing the **Pulse Voltage**.

For example, if you obtained optimal conditions between 1,500 V, 20 ms and 1,400 V, 30 ms, (underlined in the table) perform optimization using these narrower parameters as below.

1. Make sure you have cells prepared as described on pages 27–28, have the DNA or siRNA, and prepare 18- or 24-wells of a 24-wells plate with 0.5 mL culture medium with serum and **without antibiotics** to transfer the electroporated cells.
2. For each electroporation sample using the **10 µL Neon™ Tip**, see table.

For using the 100 µL Neon™ Tip in **24-well** format, adjust the amounts listed in the table appropriately by 10-fold.

Cell type	Format	Cell no.	DNA	siRNA	Resuspension Buffer
Adherent	24-well	$1 \times 10^5$ /well	0.5 µg DNA/well 15 µg/plate	50 pmol in 10 µL tip 100 nM per well	<b>Buffer R</b> 10 µL/well 285 µL/plate
Suspension	24-well	$2 \times 10^5$ /well	1 µg DNA/well 30 µg/plate	100 pmol in 10 µL tip 200 nM per well	<b>Buffer R</b> 10 µL/well 270 µL/plate
Primary Suspension Blood Cells	18-well	$1-2 \times 10^5$ /well	0.5–1 µg DNA/well 20 µg/plate	100 pmol in 10 µL tip 200 nM per well	<b>Buffer R</b> 10 µL/well 180 µL/plate

3. Set up a Neon™ Tube with 3 mL Electrolytic Buffer (use Buffer E for 10 µL Neon™ Tip and Buffer E2 for 100 µL Neon™ Tip) into the Neon™ Pipette Station and Neon™ Tip containing the cell-DNA/siRNA mixture.
4. Perform electroporation using the parameters listed on the table:

Sample	Well no.	Pulse voltage	Pulse width	Pulse no.	Results	
					Transfection efficiency	Cell viability
1	A1	1450	20	1		
2	A2	1475	20	1		
3	A3	<u>1500</u>	<u>20</u>	<u>1</u>		
4	A4	1525	20	1		
5	A5	1550	20	1		
6	A5	1575	20	1		

(continued)

Sample	Well no.	Pulse voltage	Pulse width	Pulse no.	Results	
					Transfection efficiency	Cell viability
7	B1	1375	30	1		
<u>8</u>	<u>B2</u>	<u>1400</u>	<u>30</u>	<u>1</u>		
9	B3	1425	30	1		
10	B4	1450	30	1		
11	B5	1475	30	1		
12	B6	1500	30	1		
13	C1	Control containing DNA but no electroporation pulse.				

5. After electroporation, immediately remove the Neon™ Pipette and transfer the samples from the 10 µL Neon™ Tip into prewarmed 0.5 mL culture medium.  
For 100 µL Neon™ Tip, dilute samples 10-fold in 900 µL medium and transfer 100 µL of the sample to 0.4 mL prewarmed culture medium.
6. Repeat Steps 3–5 for the remaining samples.
7. Gently rock the plate to assure even distribution of the cells. Incubate the plate at 37°C in a humidified CO<sub>2</sub> incubator.
8. Assay samples to determine the transfection efficiency (e.g., fluorescence microscopy or functional assay) or gene knockdown (for siRNA).
9. Select the best conditions and proceed to the next day's experiment, "Optional: optimization protocol—day three" on page 40.

## Optional: optimization protocol—day three

For further optimization, repeat experiments by varying other conditions such as multiple pulsations. **This is optional and depends on the cell type.**

For siRNA, you can vary the amount of siRNA from 10–200 nM.

1. Make sure you have cells prepared as described on pages 27–28, have the DNA or siRNA, and prepare 18- or 24-wells of a 24-well plate containing 0.5 mL culture medium with serum and **without antibiotics** to transfer the electroporated cells.
2. For each electroporation sample using the **10 µL Neon™ Tip**, see table.

For using the 100 µL Neon™ Tip in **24-well** format, adjust the amounts listed in the table appropriately by 10-fold.

Cell Type	Format	Cell no.	DNA	siRNA	Resuspension Buffer
Adherent	24-well	$1 \times 10^5$ /well	0.5 µg DNA/well 15 µg/plate	50 pmol in 10 µL tip 100 nM per well	<b>Buffer R</b> 10 µL/well 285 µL/plate
Suspension	24-well	$2 \times 10^5$ /well	1 µg DNA/well 30 µg/plate	100 pmol in 10 µL tip 200 nM per well	<b>Buffer R</b> 10 µL/well 270 µL/plate
Primary Suspension Blood Cells	18-well	$1-2 \times 10^5$ /well	0.5–1 µg DNA/well 20 µg/plate	100 pmol in 10 µL tip 200 nM per well	<b>Buffer R</b> 10 µL/well 180 µL/plate

3. Set up a Neon™ Tube with 3 mL Electrolytic Buffer (use Buffer E for 10 µL Neon™ Tip and Buffer E2 for 100 µL Neon™ Tip) into the Neon™ Pipette Station and Neon™ Tip containing the cell-DNA/siRNA mixture.
4. Perform electroporation using the parameters listed in the table:

Sample	Well no.	Pulse voltage	Pulse width	Pulse no.	Results	
					Transfection efficiency	Cell viability
1	A1	1450	10	2		
2	A2	1475	10	2		
3	A3	1500	10	2		
4	A4	1525	10	2		
5	A5	1550	10	2		
6	A6	1575	10	2		
7	B1	1375	10	3		



(continued)

Sample	Well no.	Pulse voltage	Pulse width	Pulse no.	Results		
					Transfection efficiency	Cell viability	
8	B2	1400	10	3			
9	B3	1425	10	3			
10	B4	1450	10	3			
11	B5	1475	10	3			
12	B6	1500	10	3			
13	C1	Control containing DNA but no electroporation pulse.					

5. After electroporation, immediately remove the Neon™ Pipette and transfer the samples from the 10 µL Neon™ Tip into prewarmed 0.5 mL culture medium.  
 For 100 µL Neon™ Tip, dilute samples 10-fold in 900 µL medium and transfer 100 µL of the sample to 0.4 mL prewarmed culture medium.
6. Repeat Steps 3–5 for the remaining samples and incubate the plate.
7. Assay samples to determine the transfection efficiency (e.g., fluorescence microscopy or functional assay) or gene knockdown (for siRNA).
8. Select the best conditions and save these parameters into the database for your cell type.



# Troubleshooting

## Troubleshooting

Problem	Cause	Solution
No power (the display remains blank when the power is turned on)	AC power cord is not connected	Check AC power cord connections at both ends. Use the correct cords.
Connection error message displayed	Pipette or tube is incorrectly inserted	<ul style="list-style-type: none"> <li>• Properly insert the Neon™ Pipette into the Neon™ Pipette Station as described on page 29. The metal head of the pipette should be tightly connected to the ball plunger inside the pipette station.</li> <li>• Properly insert the Neon™ Tube into the Neon™ Pipette Station as described on page 26. The side electrode on the tube should be tightly connected to the ball plunger inside the pipette station.</li> <li>• Avoid spilling any liquid into the pipette station to prevent any build up of rust on the ball plunger in the pipette station.</li> </ul>
	The sensor connector is not connected	<ul style="list-style-type: none"> <li>• Be sure to connect the sensor connector of the Neon™ Pipette Station to the sensor port on the rear of the Neon™ device.</li> <li>• Make sure the mark on the cable plug and the instrument connector is aligned correctly (see page 15)</li> </ul>
Error messages	—	See page 46 for a description of error messages.

(continued)

Problem	Cause	Solution
Connection failure	No Neon™ Tip is inserted or the Neon™ Tip is inserted incorrectly	Make sure that the Neon™ Tip is inserted into Neon™ Pipette correctly as described on page 29. There should be no gap between the tip and the top head of the pipette.
	No buffer in the tube or no sample in the tip	Be sure to add 3 mL of the appropriate Electrolytic Buffer to Neon™ Tube. The electrode in the tube must be completely immersed in buffer.  Be sure to add sample in Resuspension Buffer to the Neon™ Tip.
	Wrong buffers used	Use the Electrolytic Buffer (Buffer E for 10 µL tip and Buffer E2 for 100 µL tip) in the Neon™ Tube and the sample in Resuspension Buffer in the Neon™ Tip. Do not switch buffers or use any other buffer as these buffers are specifically designed for electroporation with the Neon™ device.
	High voltage connector is not connected	Be sure to connect the high voltage connector of the Neon™ Pipette Station to the high voltage port on the rear of the Neon™ device (see page 15).
If the error persists and all connections are correct	Perform self diagnostics test	Perform self diagnostics test by clicking on ✓ on the main screen. During the self diagnostics test, the device checks a variety of parameters and indicates if it is OK or there is a problem. If the self diagnostics is OK, ensure that all connections are correct as described in this section before contacting Technical Support.
Arcing (sparks)	Air bubbles in the Neon™ Tip	Avoid any air bubbles in the Neon™ Tip while aspirating the sample.
	High voltage or pulse length settings	Reduce the voltage or pulse length settings.

(continued)

Problem	Cause	Solution
Arcing (sparks)	Accidentally used salt-precipitated DNA	Do not precipitate DNA with ethanol to concentrate DNA as it can cause arcing due to salt contamination.
Low cell survival rate	Poor DNA quality	Use high quality plasmid DNA for transfection (see page 24 for guidelines and recommendations on DNA quality).
	Cells are stressed or damaged	Avoid severe conditions during cell harvesting especially high speed centrifugation and pipette cells gently.  Avoid using over confluent cells or cells at high densities as this may affect the cell survival after electroporation.  After electroporation, immediately plate the cells into prewarmed culture medium <b>without antibiotics</b> .
	Multiple use of the same Neon™ Tip	<b>Do not</b> use the same Neon™ Tip for electroporation for more than 2 times because the repeated application of electric pulses reduce the tip quality and impairs their physical integrity.
Low transfection efficiency	Poor optimization of electrical parameters	Perform optimization for your cell type as described on page 33.
	Poor plasmid DNA quality or the plasmid DNA is low	Use high quality plasmid DNA for transfection (see page 24 for guidelines and recommendations on DNA quality).  Start with 0.5 µg plasmid DNA per sample.
	Incorrect cell density	Cell densities $>3 \times 10^5$ or $<5 \times 10^4$ per sample drastically reduces transfection efficiency. Use $5 \times 10^4$ – $1.5 \times 10^5$ cells per 10 µL per sample.

(continued)

Problem	Cause	Solution
Low transfection efficiency	<i>Mycoplasma</i> contaminated cells	Test cells for <i>Mycoplasma</i> contamination.  Start a new culture from a fresh stock.
Non-reproducible transfection efficiency	Inconsistent cell confluency or passage number	Always use cells with low passage number and harvest cells with comparable confluency levels.
	Multiple use of Neon™ Tip and Neon™ Tube	<b>Do not</b> use the same Neon™ Tip for more than <b>2 times</b> because the repeated application of electric pulses reduce the tip quality and impairs their physical integrity.  Do not use the same Neon™ Tube for more than 10 times.  Always use a new Neon™ Tip and Neon™ Tube for different plasmid DNA samples to avoid any cross-contamination.
High energy error	Used high electrical parameters	Set lower voltage or duration.

## Neon™ device error messages

This section describes the error messages displayed. Most of the error messages are self explanatory and after fixing the error, you should be able to continue with the protocol. Contact Technical Support if you need to send the device for servicing.

Error message	Action
Please connect station	The Neon™ Pipette Station is not connected properly; ensure that the sensor connector is connected to the sensor port on the rear of the device (see page 15).
Check tip for air bubbles.	Remove the solution and aspirate the sample into the tip again without any air bubbles. Press <b>OK</b> to exit the screen.
Please enter user name	All protocols in the database need a user name. Enter the user name and press <b>OK</b> to exit the screen.
Please enter protocol name	All protocols in the database need a protocol name. Enter the user name and press <b>OK</b> to exit the screen.
Password incorrect, please re-enter	Re-enter the 4-digit password and press <b>OK</b> to exit the screen.
Input voltage, pulse width, or pulse number error	The input voltage, pulse width, or pulse number is out of range. The valid range is displayed on the screen. Please enter the valid value and press <b>OK</b> to exit the screen.



## Repackaging the instrument

If you need to send the device to Thermo Fisher Scientific for warranty issues, or you wish to transport the instrument to another location, repackage the unit as follows.

---

**Note:** Prior to sending the device, ensure the device is properly decontaminated if the device is exposed to any viable biological agents, radioactive materials, or hazardous chemicals (toxic, carcinogenic, mutagenic, toxic for reproduction, sensitizing, and/or have not been fully tested). Contact Technical Support for a decontamination protocol and to obtain a Returns Goods Authorization (RGA) number and return shipping instructions.

---

## Repackaging and storage instructions

1. Turn **off** the main power switch at the rear of the device and detach the power cord from the rear of device.
2. Disconnect the high voltage and sensor connector connected to the pipette station via the connector at the back of the unit.
3. Place the instrument in the original box including the original packing foam.
4. Tape the box securely and place appropriate shipping labels for shipping the instrument to Invitrogen™. Always transport the box with the unit in the **upright** position.
5. If the device is not to be used for extended periods of time, store the repackaged device in an upright position at 4°C to 40°C.

## Replace the Pipette Gripper

1. Insert the Neon™ Tube into the Neon™ Pipette Station followed by the Neon™ Pipette vertically into the Neon™ Tube until it clicks into place

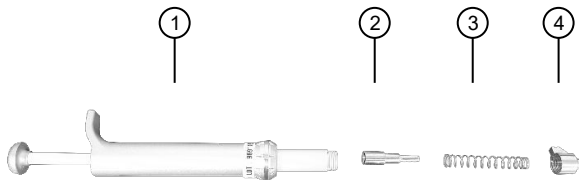


2. Rotate the Neon™ Pipette counterclockwise; then, hold the SUS Head by hand to disassemble it completely.





3. Once the SUS Head is separated, check the internal parts in the following order:



- ① Pipette body
- ② Gripper

- ③ Spring
- ④ SUS Head

4. To replace Gripper, place the new gripper and spring in order into the Pipette body.



- ① Gripper

5. Next, assemble the SUS Head first by hand and then completely by inserting the Neon™ Pipette vertically into the Neon™ Tube in the Neon™ Pipette Station until it clicks into place.

6. Lastly, hold the Neon™ Pipette and rotate the Neon™ Pipette clockwise to finish the assembly.



7. When the SUS Head is assembled, the appearance of the pipette should be adjusted so that the ① and ② are collinear.





# Specifications

## Product specifications

Operating Power:	100–240 VAC, 2.1 A, 150 W, Frequency 50/60 Hz,
Output:	0.5-2.5 kV
Pulse Width:	1-100 ms
Maximum Duty Cycle:	0.1
Charging Time:	Maximum 8 seconds
Altitude:	Up to 2,000 meters
Operating Temperature:	5°C to 40°C
Maximum Relative Humidity:	Up to 80%
Degree of Protection:	IPX0
Protective Earthing:	Class I (earthed)
Installation Category:	II
Instrument Type:	Benchtop unit
Device Dimensions:	9.2 inches (w) × 11.8 inches (l) × 8.66 inches (h)
Pipette Station Dimensions:	5.91 inches (diameter); 5.51 inches (h)
Device Weight:	13.2 pounds (6 kg)
Built-in Features:	Touch screen (800 × 480 pixels), digital display

The Neon™ Transfection System including the Neon™ Pipette Station is compatible with standard nonhazardous laboratory reagents. **Do not** use organic solvents in the tip/tubes or with the device.



# Related products

## Accessory products

### Additional products

The following products are for use with the Neon™ Transfection System and are available separately.

For more information, go to [thermofisher.com](http://thermofisher.com) or contact Technical Support.

Catalog numbers that appear as links open the web pages for those products.

Product	Quantity	Catalog no.
Neon™ Kit, 10 µL	1 kit (50 reactions)	<a href="#">MPK1025</a>
	1 kit (192 reactions)	<a href="#">MPK1096</a>
Neon™ Kit, 100 µL	1 kit (50 reactions)	<a href="#">MPK10025</a>
	1 kit (192 reactions)	<a href="#">MPK10096</a>
Neon™ Pipette	1 each	<a href="#">MPP100</a>
Neon™ Pipette Station	1 each	<a href="#">MPS100</a>
Neon™ Tubes	1 pack of 100	<a href="#">MPT100</a>
Dulbecco's Phosphate-Buffered Saline (D-PBS) (1X), liquid without Ca <sup>2+</sup> and Mg <sup>2+</sup>	500 mL	<a href="#">14190-144</a>
BLOCK-iT™ Fluorescent Oligo™ for electroporation	75 µL	<a href="#">13750062</a>
Silencer™ Select GAPDH Positive Control siRNA (human, mouse, rat)	5 nmol	<a href="#">4390849</a>
Silencer™ Select negative Control No. 1 siRNA	40 nmol	<a href="#">4390844</a>
Silencer™ Cy3™ labeled GAPDH siRNA (human, mouse, rat)	5 nmol	<a href="#">AM4649</a>
Silencer™ FAM™ labeled GAPDH siRNA (human, mouse, rat)	5 nmol	<a href="#">AM4650</a>
Countess™ Automated Cell Counter	1 each	<a href="#">C10227</a>
PureLink™ HiPure Plasmid Miniprep Kit	25 preps	<a href="#">K2100-02</a>
PureLink™ HiPure Plasmid Midiprep Kit	25 preps	<a href="#">K2100-04</a>
PureLink™ HiPure Plasmid Filter Midiprep Kit	25 preps	<a href="#">K2100-14</a>

(continued)

Product	Quantity	Catalog no.
PureLink™ HiPure Plasmid Maxiprep Kit	25 preps	<a href="#">K2100-07</a>
PureLink™ HiPure Plasmid Filter Maxiprep Kit	25 preps	<a href="#">K2100-17</a>
MagMAX™ 96 Total RNA Isolation Kit	96 reactions	<a href="#">AM1830</a>
TaqMan™ Gene Expression Cells-to-C <sub>T</sub> ™ Kit	100 reactions	<a href="#">AM1728</a>
alamarBlue™	25 mL	<a href="#">DAL1025</a>

## Cell culture media

A large variety of cell culture media and products for mammalian cells including primary and stem cells is available from Invitrogen™. For more information, contact Technical Support.

## siRNA

A large variety of siRNA products including Stealth™ RNAi, Silencer™ Select RNAi, Silencer™ RNAi, or standard unmodified siRNA is available from Invitrogen™. For more information, contact Technical Support.






## Safety information

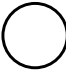






Follow the instructions in this section to ensure safe operation of the Neon™ Transfection device. The Neon™ Transfection System is designed to meet EN61010-1 Safety Standards. To ensure safe, reliable operation, always operate the Neon™ Transfection System according to the instructions in this manual. Failure to comply with the instructions in this manual may create a potential safety hazard, and will void the manufacturer's warranty and void the EN61010-1 safety standard certification. Life Technologies is not responsible for any injury or damage caused by use of this instrument when operated for purposes which it is not intended. All repairs and service should be performed by Life Technologies.

- Always ensure that the power supply input voltage matches the voltage available in your location.
- For operating environment, see page 51.
- This device is air-cooled so its surfaces become hot during operation. When installing the device, leave a space of more than 10 cm (4 inches) around it.
- Never insert metallic objects into the air vents of the device as this could result in electrical shock, personal injury and equipment damage.
- Always set the main switch on the power supply unit to OFF before connecting the power cord to the wall outlet.
- Always ensure that the grounding terminal of the device and that of the wall outlet are properly connected. Connect the power cord to a grounded, 3-conductor power outlet.
- To avoid potential shock hazard, make sure that the power cord is properly grounded.
- Be sure to position the instrument such that it is easy to disconnect the unit.
- Be sure to set the main switch to OFF, unplug the power cord, and secure the pipette station before moving the device.

## Informational symbols

Symbol and description	
	<b>CAUTION!</b> Risk of danger. Consult the manual for further safety information.
	<b>CAUTION!</b> Risk of electrical shock.
	WEEE (Waste Electrical and Electronic Equipment) symbol indicates that this product should not be disposed of in unsorted municipal waste. Follow local municipal waste ordinances for proper disposal provisions to reduce the environmental impact of WEEE.  This instrument meets European requirement WEEE Directive 2012/19/EU.

(continued)

Symbol and description	
	ON (power)
	OFF (power)
	Protective earth (ground)
	The CE mark symbolizes that the product conforms to all applicable European Community provisions for which this marking is required. Operation of the Neon™ Transfection System is subject to the conditions described in this manual. The protection provided by the device may be impaired if the instrument is used in a manner not specified by the manufacturer.
	This product conforms to UL 61010-1, CAN/CSA C22.2 No.61010-1 “Safety Requirements for Electrical Equipment for Measurement, Control, and Laboratory Use, Part I: General Requirements.” Instruments bearing the TUV symbol are certified by TUV Product Services to be in conformance with the applicable safety standard for the US and Canada.
	Regulatory Compliance Mark indicates conformity with Australian standards for electromagnetic compatibility.
	China RoHS EFUP 25










## Informations de sécurité

Suivez les instructions de cette section pour vous assurer d'utiliser l'appareil Neon™ Transfection en toute sécurité. Le Neon™ Transfection System est conçu pour répondre aux normes de sécurité EN61010-1. Pour assurer un fonctionnement sûr et fiable, utilisez toujours le Neon™ Transfection System conformément aux instructions de ce manuel. Le non-respect des instructions contenues dans ce manuel pourrait engendrer un éventuel danger pour la sécurité et annulerait la garantie du fabricant ainsi que la certification à la norme de sécurité NF EN61010-1. Life Technologies ne peut être tenu responsable de toute blessure ou dommage provoqués par l'utilisation de cet instrument dans des buts autres que ceux prévus. Toutes les réparations et la maintenance doivent être effectuées par Life Technologies.

- Assurez-vous toujours que la tension d'entrée de l'alimentation corresponde à la tension disponible sur le lieu d'utilisation.
- Pour l'environnement d'exploitation, consultez la page 51.
- Cet appareil étant aérorefrigéré, ses surfaces chauffent lorsqu'il fonctionne. Lors de l'installation de l'appareil, laissez un espace supérieur à 10 cm (4 pouces) autour de celui-ci.
- N'introduisez jamais d'objets métalliques dans les orifices d'aération de l'appareil, car cela pourrait provoquer un choc électrique, des blessures corporelles ou endommager l'équipement.
- Mettez toujours le commutateur principal de l'alimentation sur OFF (ARRÊT) avant de brancher le cordon d'alimentation sur la prise murale.


- Vérifiez toujours que la borne de mise à la terre de l'appareil et celle de la prise murale sont correctement raccordées. Branchez le cordon d'alimentation sur une prise d'alimentation à 3 conducteurs et reliée à la terre.
- Pour éviter tout risque potentiel de choc électrique, vérifiez que le cordon d'alimentation est correctement relié à la terre.
- Veillez à placer l'instrument de manière à pouvoir le débrancher facilement.
- Veillez à mettre le commutateur principal sur OFF (ARRÊT), à débrancher le cordon d'alimentation et à immobiliser la station à pipettes avant de déplacer l'appareil.

## Informational symbols

Symbol and description	
	<b>MISE EN GARDE !</b> Risque de danger. Consulter le manuel pour d'autres renseignements de sécurité.
	<b>MISE EN GARDE !</b> Risque de choc électrique.
	Le symbole <b>DEEE</b> (Déchets d'équipements électriques et électroniques) indique que ce produit ne doit pas être mis au rebut avec des déchets ménagers non triés. Suivez la réglementation locale relative à l'élimination des déchets usuels pour réduire l'impact environnemental des DEEE. Rendez-vous sur <a href="http://www.invitrogen.com/weee">www.invitrogen.com/weee</a> pour prendre connaissance des options de collecte et de recyclage..
	<b>ON (MARCHE)</b> (alimentation)
	<b>OFF (ARRÊT)</b> (alimentation)
	Protection par la mise à la terre (masse)
	La marque CE est un symbole indiquant que le produit est conforme à toutes les dispositions applicables de la Communauté européenne pour lesquelles ce marquage est obligatoire. L'utilisation du Neon™ Transfection System est soumise aux conditions décrites dans ce manuel. Si vous utilisez l'instrument d'une manière non spécifiée par le fabricant, la protection offerte par l'appareil pourrait s'en trouver détériorée.
	Ce produit est conforme à UL 61010-1, CAN/CSA C22.2 No.61010-1 «Exigences de sécurité pour l'équipement électrique pour la mesure, le contrôle et l'utilisation en laboratoire, Partie I : Généralité Les exigences.» Les instruments portant le symbole TUV sont certifiés par TUV Product Services conforme à la norme de sécurité applicable aux États-Unis et au Canada.
	La marque de conformité réglementaire indique qu'elle est conforme aux normes australiennes compatibilité électromagnétique



(continued)

Symbol and description	
	Chine RoHS EFUP 25

## Chemical safety



**WARNING! GENERAL CHEMICAL HANDLING.** To minimize hazards, ensure laboratory personnel read and practice the general safety guidelines for chemical usage, storage, and waste provided below. Consult the relevant SDS for specific precautions and instructions:

- Read and understand the Safety Data Sheets (SDSs) provided by the chemical manufacturer before you store, handle, or work with any chemicals or hazardous materials. To obtain SDSs, see the "Documentation and Support" section in this document.
- Minimize contact with chemicals. Wear appropriate personal protective equipment when handling chemicals (for example, safety glasses, gloves, or protective clothing).
- Minimize the inhalation of chemicals. Do not leave chemical containers open. Use only with sufficient ventilation (for example, fume hood).
- Check regularly for chemical leaks or spills. If a leak or spill occurs, follow the manufacturer cleanup procedures as recommended in the SDS.
- Handle chemical wastes in a fume hood.
- Ensure use of primary and secondary waste containers. (A primary waste container holds the immediate waste. A secondary container contains spills or leaks from the primary container. Both containers must be compatible with the waste material and meet federal, state, and local requirements for container storage.)
- After emptying a waste container, seal it with the cap provided.
- Characterize (by analysis if needed) the waste generated by the particular applications, reagents, and substrates used in your laboratory.
- Ensure that the waste is stored, transferred, transported, and disposed of according to all local, state/provincial, and/or national regulations.
- **IMPORTANT!** Radioactive or biohazardous materials may require special handling, and disposal limitations may apply.



**WARNING! HAZARDOUS WASTE (from instruments).** Waste produced by the instrument is potentially hazardous. Follow the guidelines noted in the preceding General Chemical Handling warning.



**WARNING! 4L Reagent and Waste Bottle Safety.** Four-liter reagent and waste bottles can crack and leak. Each 4-liter bottle should be secured in a low-density polyethylene safety container with the cover fastened and the handles locked in the upright position.

## Biological hazard safety



**WARNING! Potential Biohazard.** Depending on the samples used on this instrument, the surface may be considered a biohazard. Use appropriate decontamination methods when working with biohazards.



**WARNING! BIOHAZARD.** Biological samples such as tissues, body fluids, infectious agents, and blood of humans and other animals have the potential to transmit infectious diseases. Conduct all work in properly equipped facilities with the appropriate safety equipment (for example, physical containment devices). Safety equipment can also include items for personal protection, such as gloves, coats, gowns, shoe covers, boots, respirators, face shields, safety glasses, or goggles. Individuals should be trained according to applicable regulatory and company/ institution requirements before working with potentially biohazardous materials. Follow all applicable local, state/provincial, and/or national regulations. The following references provide general guidelines when handling biological samples in laboratory environment.

- U.S. Department of Health and Human Services, *Biosafety in Microbiological and Biomedical Laboratories (BMBL)*, 6th Edition, HHS Publication No. (CDC) 300859, Revised June 2020  
<https://www.cdc.gov/labs/pdf/CDC-BiosafetymicrobiologicalBiomedicalLaboratories-2020-P.pdf>
- Laboratory biosafety manual, fourth edition. Geneva: World Health Organization; 2020 (Laboratory biosafety manual, fourth edition and associated monographs)  
[www.who.int/publications/i/item/9789240011311](http://www.who.int/publications/i/item/9789240011311)



# Documentation and support

## Customer and technical support

Visit [thermofisher.com/support](https://www.thermofisher.com/support) for the latest service and support information.

- Worldwide contact telephone numbers
- Product support information
  - Product FAQs
  - Software, patches, and updates
  - Training for many applications and instruments
- Order and web support
- Product documentation
  - User guides, manuals, and protocols
  - Certificates of Analysis
  - Safety Data Sheets (SDSs; also known as MSDSs)

---

**Note:** For SDSs for reagents and chemicals from other manufacturers, contact the manufacturer.

---

## Limited product warranty

Life Technologies Corporation and/or its affiliate(s) warrant their products as set forth in the Life Technologies' General Terms and Conditions of Sale at [www.thermofisher.com/us/en/home/global/terms-and-conditions.html](https://www.thermofisher.com/us/en/home/global/terms-and-conditions.html). If you have any questions, please contact Life Technologies at [www.thermofisher.com/support](https://www.thermofisher.com/support).

