

IVFtech Sterica

IVFtech
for the next generation

IVFtech Sterica

IVFtech Sterica cabinets are designed to protect the samples with a constant flow of clean air and is manufactured to meet the specific requirements of IVF Laboratories. It is designed to provide a vertical laminar flow of clean air covering the whole surface area. The Sterica is suitable for all your IVF laboratory needs including vitrification, ICSI manipulation, sperm collection and all IVF routine work.

Features include a timer to switch the fan and heated surfaces automatically on/off.

Accommodates all major brands of microscope.

Choice of oculars, one for the front window or a secondary window inside the cabinet, which allows the front window to be closed. (Although this is not mentioned on the order form)

The specially designed laminator or diffuser enables uniform airflow 0.32m/s at lower fan speeds, providing not only less turbulence but saves on energy and increases the lifespan of the HEPA filter. The IVFtech Sterica cabinets can be customized to your specific requirements with a choice of 6 sizes, unheated or heated and prepped for microscopes with fixed or electrically adjustable stands.

Sizes are available in:

90, 120, 150 and 180cm

Heights are available in: 700-750mm, 800-850mm, 900-950mm and 705-1100mm Electrically adjustable stand

Options for Sterica cabinet back wall:

- Flow meter(s)
- Electrical outlets
 - Monitor outside/ flush inside
- Preparations for incubator
- Humidification system
- Aspiration tunnel
- UV light Options
- Additional Holes

Options table top:

- Stainless steel or Himacs® table top
- Standard heated area 450 x 650mm
- Full heated area 450 x 830mm
- Extra heated area 450 x 200mm
- Extra heated area 450 x 400mm
- Witness preparation flush with surface
- Anti-vibration platform
- IVFtech heated glass Ø45mm Ø60mm
- Table top integrated incubator
- Gas Mixer
- Shelf for Gas
- Warming Blocks
- Cooling System
- Shelf and Drawer Options



Maintenance & Service

The maintenance of IVFtech cabinets is performed from the front, therefore there is no need to move the cabinets to gain access, which reduces down time during servicing.

HiMacs or Stainless steel:

The Hi-Macs® table tops provide an excellent alternative to Stainless Steel. The Hi-Macs® surface is stain resistant and easy to clean. Hi-Macs® is scratch resistant and unlike stainless steel, the Hi-Macs® surface can be refurbished and repolished and provides good visualization of the underside of the dishes.

Advantages

- Easy to use
- Easy to service
- Easy to clean
- Hi-Macs® table top option
- Low noise level
- Air speed variation of only +/- 10% meaning a quieter, economical fan.
- Unrivalled variety of options
- Ergonomic sloping front

We can even change the colour of your cabinet and put your logo on it.

Products to be used with IVFtech Sterica cabinet

- Warming blocks
- Magnetic Shelf
- Pull-out shelf
- Accessories for humidification
- Mini incubator
- Loudspeakers

Technical specification

Low noise level - <51 dB(A)

IVFtech Sterica cabinet has been designed to give you the lowest noise level on the market

Filtration

Class H-14 HEPA filters in accordance with EN 1822. Filter efficiency 99.999% against 0.3 µm particle size. 99.995% in MPPS. HEPA filters are protected by a carbon pre-filter for a longer life.

Sterica model	90	120	150	180	Unit
External dimensions (DxWxH)	695x1015x1240	695x1320x1240	695x1625x1240	695x1930x1240	mm
Internal dimension (DxWxH)	560x950x635	560x1255x635	560x1560x635	60x1865x635	mm
Product weight	140	150	180	190	kg
Shipping dimensions (WxDxH)	1650x900x1600	1650x900x1600	2200x900x1600	2200x900x1600	mm
Shipping weight / volume	250 / 2.0	260 / 2.0	290 / 2.5	300 / 2.5	kg/m ²
Internal height for cabinet	752 / 744 for ICSI microscope				mm
Front opening, fixed	340				mm
Fixed support stand height from floor to working area (3 models are optional w. adjustable feet's)	700-750				mm
	800-850				mm
	900-950				mm
Electrical adjustable stand option	705-1100				mm
Front opening, w/ Antivibration	460				mm
Air velocity, vertical flow	0.32				m/s
Air velocity, deviation	10				±%
Flow rate	1260	1680	2120	2515	m ³ /hr
Noise Level, ISO6081	< 51 dBa				dBa
Acoustical alarm sound press	> 75 dBa				dBa
Acoustical alarm frequency	2,5KHz/250milisecond beep with a frequency of 2 HZ				KHz
Carbon Prefilter dim. (WxDxH)	580x330x1.2	885x330x1.2	1190x330x1.2	1495x330x1.2	mm
HEPA filter type	H-14				
HEPA filter dim. (WxDxH)	910x457x115	1220x457x115	1525x457x115	1830x457x115	mm
Work chamber LED light	1980	3080	3960	4840	Lumen
Work chamber LED light	Dimmable 10-100%				%
Heated table top temp.	Default setting 37 °C, adjustable ambient to 43 °C				°C
Table top sensor accuracy	± 0.1				°C
Heated table top temperature deviation	± 0.5				°C
Microscope light					
Control	Dimmable 0-100%				%
Halogen option	230				Lumen
LED option	300 (3000 Kelvin)				Lumen



120 Sterica with green Hi-MACS

180 Sterica with heated stage and anti-vibration platform



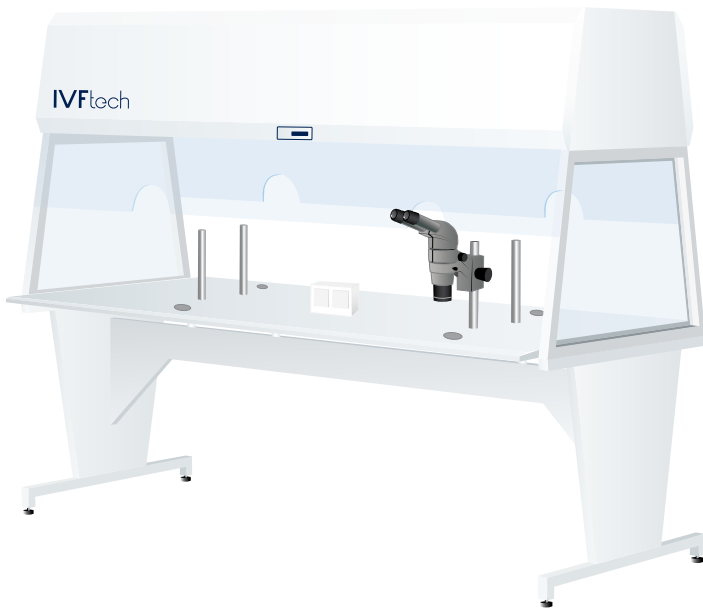
Technical specification

Sterica models: 90/120/150					Unit
Power consumption Max		No Heat	Single Heat	Double Heat	Watt
		350	625	900 - N/A for Sterica 90	
Main overcurrent protection fuse	Voltage	No Heat	Single Heat	Double Heat	Ampere
	230VAC	5	5	5	
	115VAC	10	10	10	
Max power consumption outlets		No Outlets	Single Outlet	Double Outlets	Watt
		N/A	250	500	
Outlet overcurrent protection fuse	Voltage	No Outlets	Single Outlet	Double Outlets	
	230VAC	N/A	1	2x1	
	115VAC	N/A	2	2x2	
Operational voltage and frequency	220-240Vac / 50-60 Hz or 110-120Vac / 50-60 Hz				

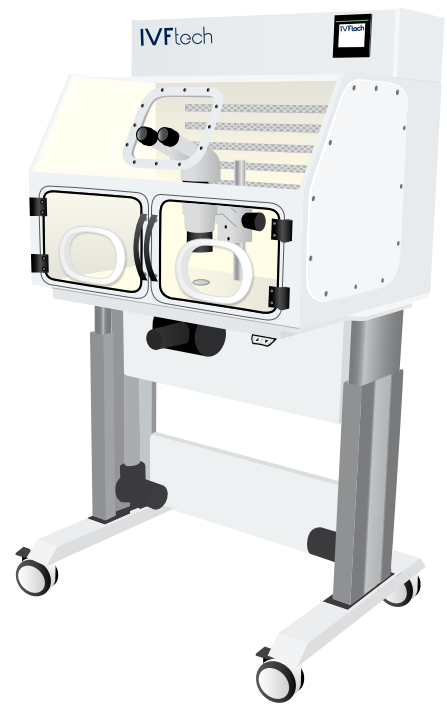
Sterica model: 180					Unit
Power consumption Max		No Heat	Single Heat	Double Heat	Watt
		670	945	1220	
Main overcurrent protection fuse	Voltage	No Heat	Single Heat	Double Heat	Ampere
	230VAC	5	6	6	
	115VAC	10	12	12	
Max power consumption outlets		No Outlets	Single Outlet	Double Outlets	Watt
		N/A	250	500	
Outlet overcurrent protection fuse	Voltage	No Outlets	Single Outlet	Double Outlets	
	230VAC	N/A	1	2x1	
	115VAC	N/A	2	2x2	
Operational voltage and frequency	220-240Vac / 50-60 Hz or 110-120Vac / 50-60 Hz				

Other cabinets in IVFtech series

Javica



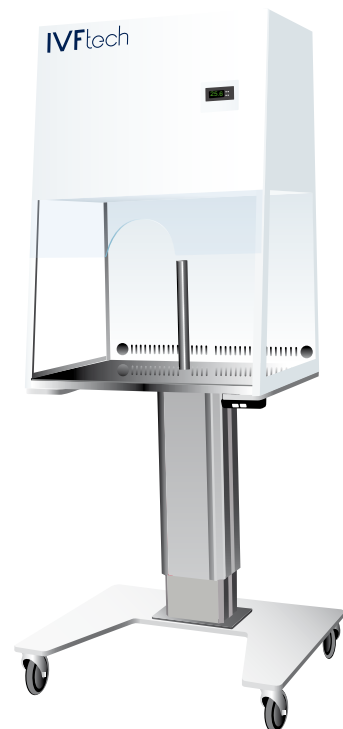
Unica



Classica



Econica



IVFtech

Klintehøj Vænge 3
DK - 3460 Birkerød

Phone + 45 39 40 25 65
Fax + 45 39 40 25 64
www.ivftech.dk
E-mail: info@ivftech.dk