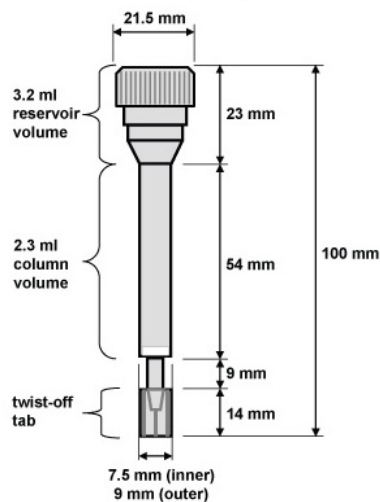


Pierce® Spin Cup and Column dimensions and volumes

TR0052.3

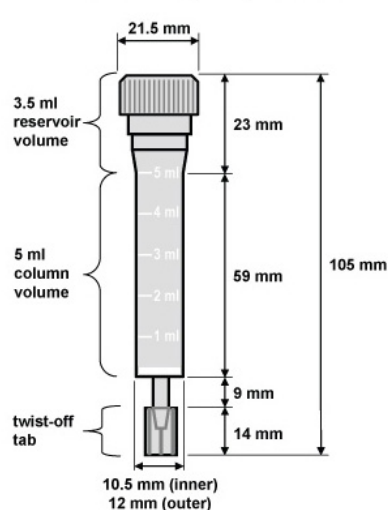
Pierce® Centrifuge Columns, 2 ml (Product No. 89896)

Total column capacity = 5.5 ml



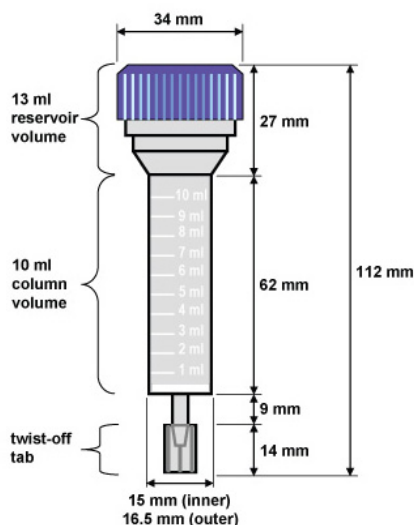
Pierce® Centrifuge Columns, 5 ml (Product No. 89897)

Total column capacity = 8.5 ml



Pierce® Centrifuge Columns, 10 ml (Product No. 89898)

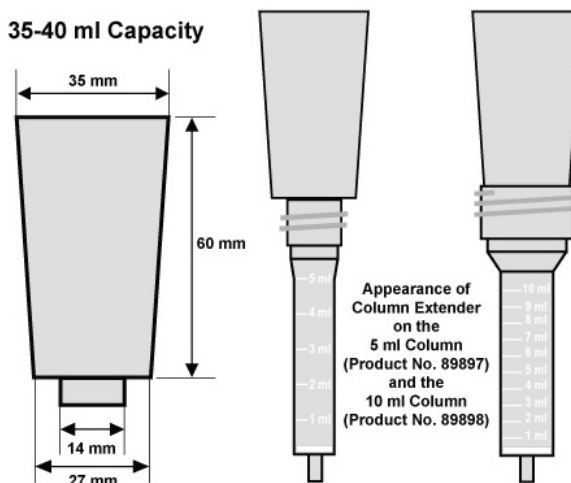
Total column capacity = 23 ml



Column Extender (Product No. 69707)

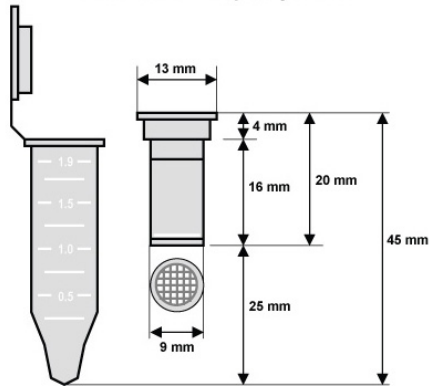
Increases the reservoir volume capacity of 2, 5 and 10 ml
Pierce® Centrifuge Columns for use in gravity-flow procedures

35-40 ml Capacity



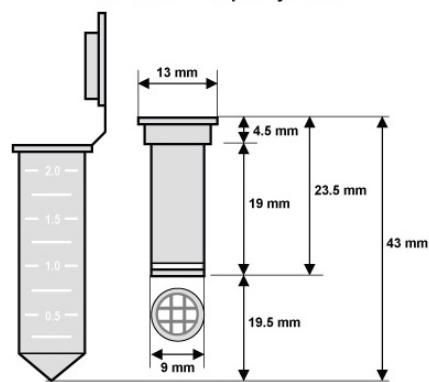
**Pierce® Spin Cups – Paper Filter
(Product No. 69700)**

Total column capacity = 0.6 ml



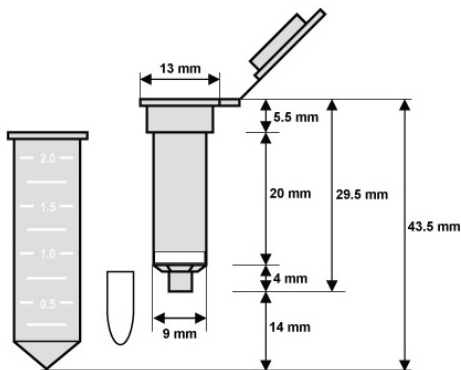
**Pierce® Spin Cups – Cellulose Acetate Filter
(Product No. 69702)**

Total column capacity = 0.8 ml



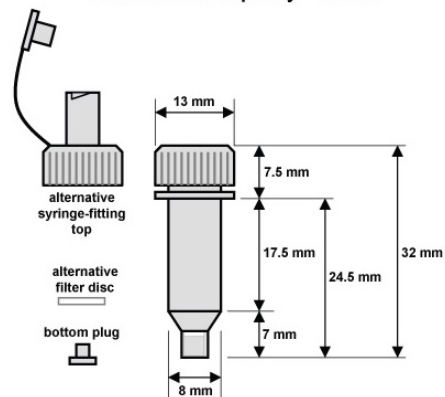
**Pierce® Spin Columns – Snap Cap
(Product No. 69725)**

Total column capacity = 1.0 ml



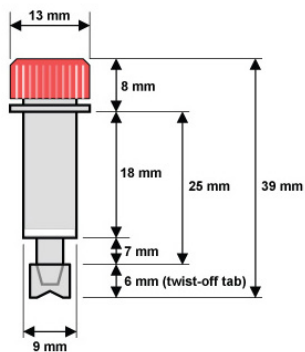
**Pierce® Spin Columns – Screw Cap
(Product No. 69705)**

Total column capacity = 0.9 ml



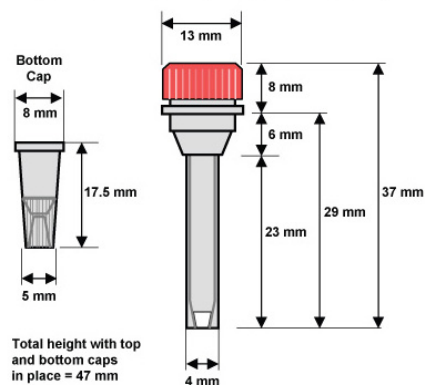
**Pierce® Centrifuge Columns, 0.8 ml
(Product No. 89868)**

Total column capacity = 0.8 ml

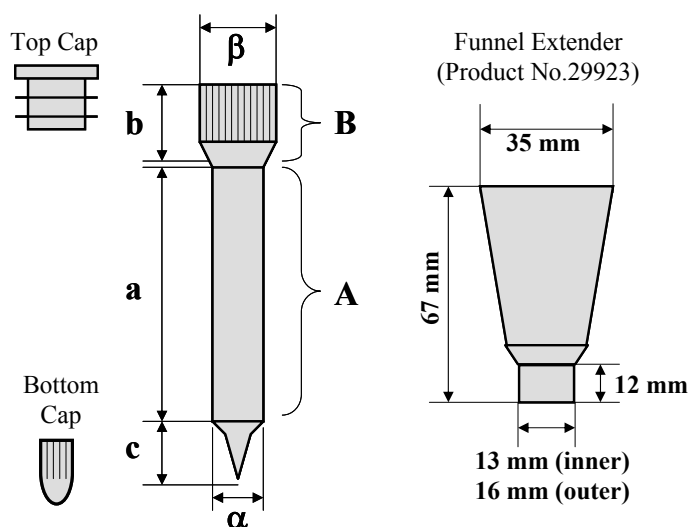


**Pierce® Micro-Spin Columns
(Product No. 89879)**

Total column capacity = 0.4 ml
(resin bed = 0.1 ml; reservoir = 0.3 ml)



**Disposable, Gravity-Flow Columns
(Product No. 29920-29925)**



Dimensions (in millimeters) and Volumes (in milliliters) of Disposable, Gravity-flow Columns.

Column Product No.	Column Bed			Column Reservoir			Tip	Total Column			
	a Height	α Diameter Inner Outer		A Volume	b Height	β Diameter Inner Outer		B Volume	c Height	Height (w/o cap)	Height (w/ cap)
29920	60	7	9	2.3	20	16	19	4.0	17	102	107
29922	70	10	13	5.5	14	16	19	2.8	20	107	110
29924	70	15	18	12.3	14	16	19	2.8	20	107	110

Current versions of product instructions are available at www.thermo.com/pierce. For a faxed copy, call 800-874-3723 or contact your local distributor.

© 2007 Thermo Fisher Scientific Inc. All rights reserved. Unless otherwise indicated, all trademarks are property of Thermo Fisher Scientific Inc. and its subsidiaries. Printed in the USA.