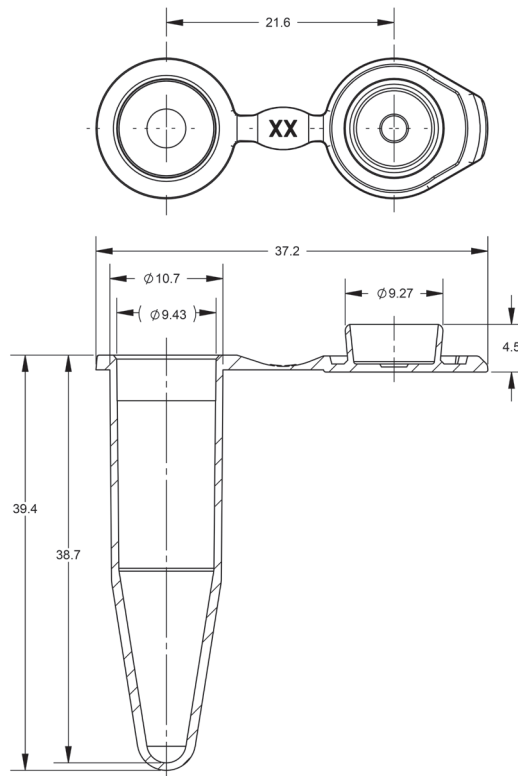


Micro tube, 1.5 ml

780420

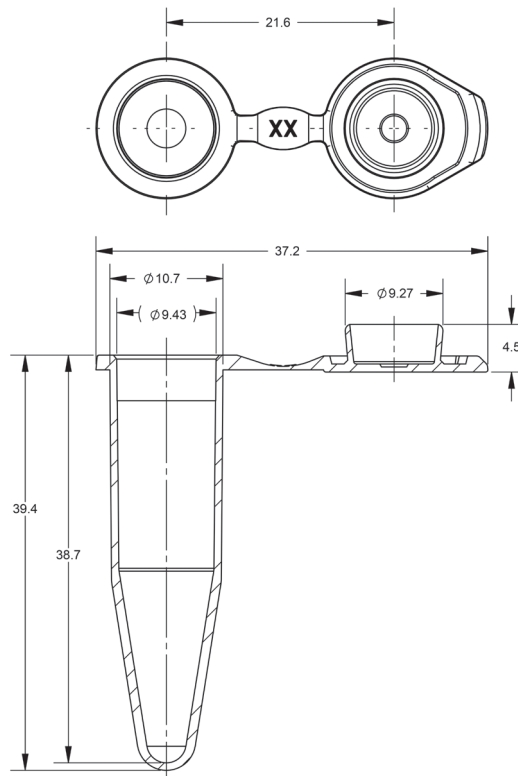


Dimensions in mm

Volume	1.5 ml
Graduation	subdivisions for approximate volume determination
Material	PP
Color	transparent
Diameter	9.4 mm
Height	39.4 mm
Cap	attached, flat cap
Quality	Cleanroom class 8 according to ISO 14 644-1, Free of DNA*, RNase and DNase, Free of pyrogens, according to LAL test **, Free of PCR inhibitors



Micro tube, 1.5 ml 780421



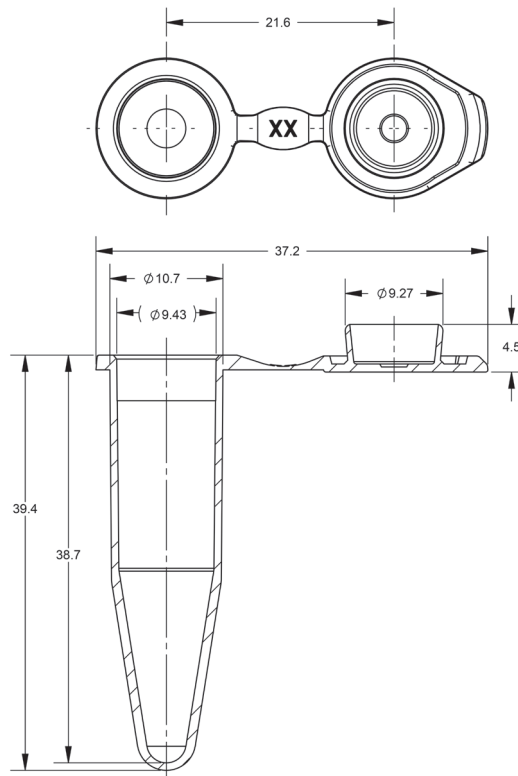
Dimensions in mm

Volume	1.5 ml
Graduation	subdivisions for approximate volume determination
Material	PP
Color	yellow
Diameter	9.4 mm
Height	39.4 mm
Cap	attached, flat cap
Quality	Cleanroom class 8 according to ISO 14 644-1, Free of DNA*, RNase and DNase, Free of pyrogens, according to LAL test **, Free of PCR inhibitors



Micro tube, 1.5 ml

780422



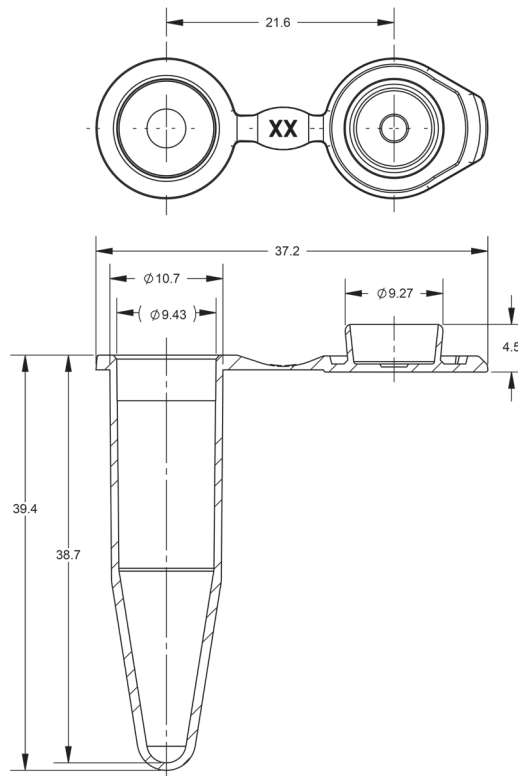
Dimensions in mm

Volume	1.5 ml
Graduation	subdivisions for approximate volume determination
Material	PP
Color	blue
Diameter	9.4 mm
Height	39.4 mm
Cap	attached, flat cap
Quality	Cleanroom class 8 according to ISO 14 644-1, Free of DNA*, RNase and DNase, Free of pyrogens, according to LAL test **, Free of PCR inhibitors



Micro tube, 1.5 ml

780423

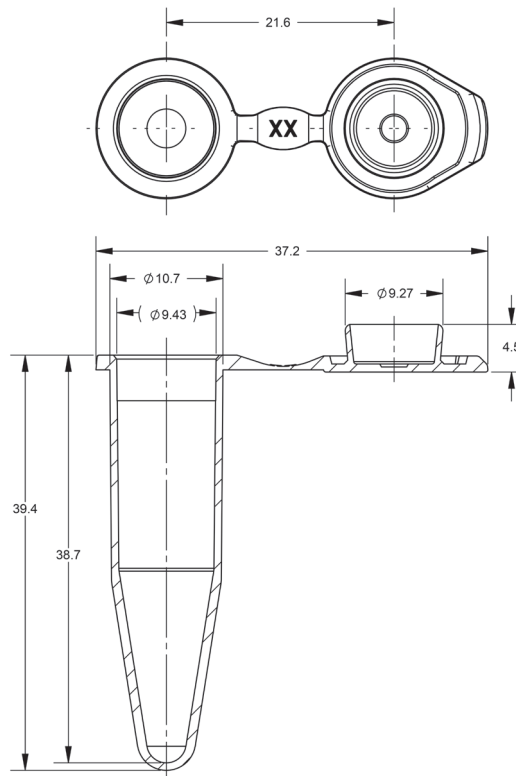


Dimensions in mm

Volume	1.5 ml
Graduation	subdivisions for approximate volume determination
Material	PP
Color	green
Diameter	9.4 mm
Height	39.4 mm
Cap	attached, flat cap
Quality	Cleanroom class 8 according to ISO 14 644-1, Free of DNA*, RNase and DNase, Free of pyrogens, according to LAL test **, Free of PCR inhibitors



Micro tube, 1.5 ml 780424



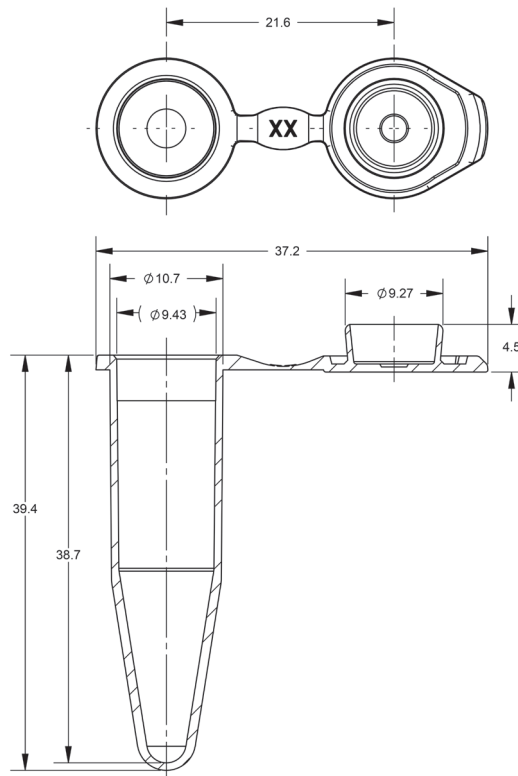
Dimensions in mm

Volume	1.5 ml
Graduation	subdivisions for approximate volume determination
Material	PP
Color	orange
Diameter	9.4 mm
Height	39.4 mm
Cap	attached, flat cap
Quality	Cleanroom class 8 according to ISO 14 644-1, Free of DNA*, RNase and DNase, Free of pyrogens, according to LAL test **, Free of PCR inhibitors



Micro tube, 1.5 ml

780425



Dimensions in mm

Volume	1.5 ml
Graduation	subdivisions for approximate volume determination
Material	PP
Color	amber
Diameter	9.4 mm
Height	39.4 mm
Cap	attached, flat cap
Quality	Cleanroom class 8 according to ISO 14 644-1, Free of DNA*, RNase and DNase, Free of pyrogens, according to LAL test **, Free of PCR inhibitors

