

Pierce™ Spin Columns – Screw Cap

69705

1300.4

Number	Description
69705	Pierce Spin Columns – Screw Cap
	Kit Contents:
	Spin Columns , 25 each, 900µL total volume, 20-400µL suggested resin volume
	Small Frits , 25 each, polyethylene, ~10µm pore size, 2.7mm diameter, pre-inserted in columns
	Large Frits , 25 each, polyethylene, ~10µm pore size, 6.8mm diameter
	Screw Caps , 25 each, O-ring style
	Column Plugs , 25 each
	Luer™-lok Adaptors , 5 each
	Column Frit Tool , one each

Storage: Store product at room temperature.

Introduction

Thermo Scientific Pierce Spin Columns hold a maximum 900µL volume of buffer or resin. Columns can be placed in 1.5mL or 2.0mL microcentrifuge tubes or used with a Luer-lok Adapter (Figure 1) for processing samples with a syringe. When using a syringe, sample size and wash volumes are only limited by the volume capacity of the syringe. For small volumes of resin, use columns with only the small, pre-inserted frit (Figure 2A). For applications requiring more than 100µL of resins, the large frit may be used at either the top or bottom of the resin bed (Figure 2B and 2C). Resins may be prepared for repeated use when the resin is sandwiched between the small and large frit (Figure 2B).

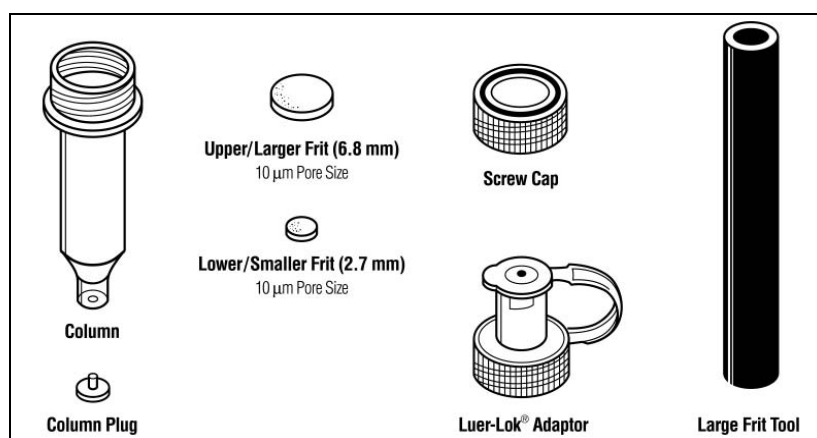


Figure 1. Schematic of the Thermo Scientific Pierce Spin Column Kit contents.

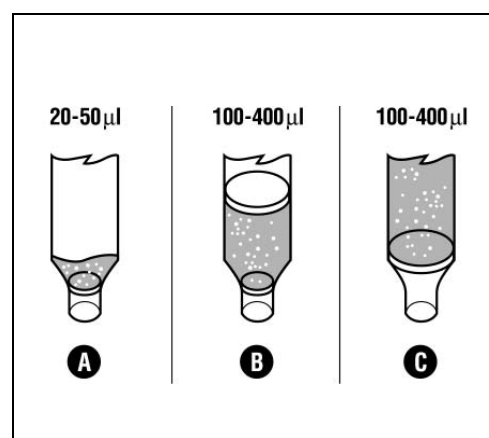


Figure 2. Three formats for frit placement.

Adjusting Frits in the Spin Column

- To remove a frit that is placed in the column, use an unfolded paper clip and insert the wire through the column tip and push the frit.
- To insert a frit, place the frit inside the column and use the frit tool to push the frit into position.
- To remove the top frit from an already-packed column with a top and bottom frit, use an unfolded paper clip to tip the top frit up. The top frit can then be removed with tweezers.

General Procedure for Using Pierce Spin Columns for Affinity Purification

1. Add 20-400 μ L of the affinity support or resin to the column with 20-400 μ L of buffer.
2. Centrifuge the column. Alternatively, attach the Luer-lok Adapter to the column, then attach a syringe and filter the buffer through the resin in the column.
3. Repeat Step 2 as needed to exchange the buffer and equilibrate the resin.
4. Add the appropriate volume (20-400 μ L) of sample and centrifuge or filter.
Note: Using the syringe method allows larger sample and wash volumes to be processed (1-15mL).
5. Wash resin with buffer (20-400 μ L) and repeat as necessary. Monitor all fractions by measuring the absorbance at 280nm or by performing a protein assay (e.g., Thermo Scientific BCA Protein Assay Kit, Product No. 23225 or Coomassie Plus Protein Assay Kit, Product No. 23236).
6. Elute with the desired buffer (20-400 μ L).

Luer-lok is a trademark of Becton Dickinson & Co.

Products are warranted to operate or perform substantially in conformance with published Product specifications in effect at the time of sale, as set forth in the Product documentation, specifications and/or accompanying package inserts ("Documentation"). No claim of suitability for use in applications regulated by FDA is made. The warranty provided herein is valid only when used by properly trained individuals. Unless otherwise stated in the Documentation, this warranty is limited to one year from date of shipment when the Product is subjected to normal, proper and intended usage. This warranty does not extend to anyone other than Buyer. Any model or sample furnished to Buyer is merely illustrative of the general type and quality of goods and does not represent that any Product will conform to such model or sample.

NO OTHER WARRANTIES, EXPRESS OR IMPLIED, ARE GRANTED, INCLUDING WITHOUT LIMITATION, IMPLIED WARRANTIES OF MERCHANTABILITY, FITNESS FOR ANY PARTICULAR PURPOSE, OR NON INFRINGEMENT. BUYER'S EXCLUSIVE REMEDY FOR NON-CONFORMING PRODUCTS DURING THE WARRANTY PERIOD IS LIMITED TO REPAIR, REPLACEMENT OF OR REFUND FOR THE NON-CONFORMING PRODUCT(S) AT SELLER'S SOLE OPTION. THERE IS NO OBLIGATION TO REPAIR, REPLACE OR REFUND FOR PRODUCTS AS THE RESULT OF (I) ACCIDENT, DISASTER OR EVENT OF FORCE MAJEURE, (II) MISUSE, FAULT OR NEGLIGENCE OF OR BY BUYER, (III) USE OF THE PRODUCTS IN A MANNER FOR WHICH THEY WERE NOT DESIGNED, OR (IV) IMPROPER STORAGE AND HANDLING OF THE PRODUCTS.

Unless otherwise expressly stated on the Product or in the documentation accompanying the Product, the Product is intended for research only and is not to be used for any other purpose, including without limitation, unauthorized commercial uses, in vitro diagnostic uses, ex vivo or in vivo therapeutic uses, or any type of consumption by or application to humans or animals.

Current product instructions are available at www.thermoscientific.com/pierce. For a faxed copy, call 800-874-3723 or contact your local distributor.

© 2012 Thermo Fisher Scientific Inc. All rights reserved. Unless otherwise indicated, all trademarks are property of Thermo Fisher Scientific Inc. and its subsidiaries. Printed in the USA.