

CORNING	Life Sciences	Document Number: LSR00060	Rev.: 5
Description (Class): Reference, Customer Technical Data Sheet Cell Culture Flask, 12.5cm² canted neck, vented cap			Page: 1 of 2

APPLICATIONS:

Cell culture

FEATURES:**Polystyrene construction**

- Optically clear for easy viewing of sample or cells
- Stable from 4°C to 60°C

Vented cap

- Biologically inert polyethylene provides a chemically resistant surface
- 0.2 µm hydrophobic membrane allows gas exchange while maintaining sterility
- Hydrophobic membrane cannot be wetted out
- Cap covers are available (Cat. No. 353120) to prevent pH fluctuations

Molded graduations along both sides of flasks

- Graduations at 2, 5, 10, 15, 20 and 25 mL
- Allows quick volume estimation

Prominent stacking rims along perimeter of upper surface

- Permits easy interlocked stacking in incubator or culture hood
- Flasks will not slip off one another while being transported

Tissue-culture-friendly packaging

- Convenient reseal tab on the bag
- Innovative bag materials that will not scuff or scratch the flask surface
- Double-wall bags provide increased sterility assurance
- Medical-style peel-open bags guarantee that sterility is maintained as flasks are removed from the bag
- Recyclable bag material (low density polyethylene)

STERILITY:

Product is gamma irradiated.

REGULATORY COMPLIANCE:

Falcon® products are manufactured under the current ISO 13485 Standards, and the current FDA Quality System Regulation 21 CFR Section 820.

RESTRICTIONS:

- Refer to "Thermoplastics Properties Chart," available at:
<https://www.corning.com/catalog/cls/documents/compatibility-guides/CLS-DL-AN-226.pdf>

Warranty/Disclaimer: Unless otherwise specified, all products are for research use only. Not intended for use in diagnostic or therapeutic procedures.

CORNING	Life Sciences	Document Number: LSR00060	Rev.: 5
Description (Class): Reference, Customer Technical Data Sheet Cell Culture Flask, 12.5 cm ² canted neck, vented cap			Page: 2 of 2

Material: Polystyrene

Related Catalog Numbers:

Cat. No.	Packout Description	Cap	Neck Style	Graduations	Surface
353107	10/Bag, 100/Case	Vented	Canted	Numeric/molded	Standard TC

Dimensions = mm (inches)

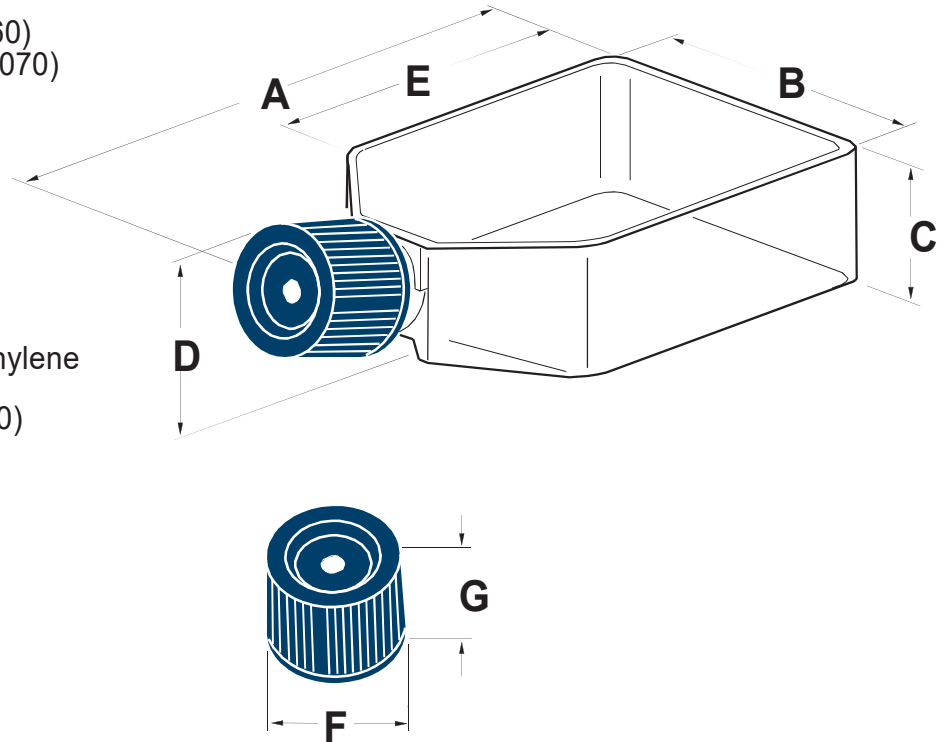
FLASK
A = w/cap 81.85 (3.222)
 w/o cap 77.17 (3.0382)
B = 44.45 (1.750)
C = 26.18 (1.031)
D = w/cap 29.46 (1.160)
 w/o cap 27.17 (1.070)
E = 60.32 (2.375)

GROWTH AREA = 12.5 cm²
VOLUME = 25mL

NECK
ID = 15.11 (.595)
Length = 16.81 (.662)

CAP, Material: High Density Polyethylene

F = O.D. 23.36 (.920)
G = 16.84 (.663)



Warranty/Disclaimer: Unless otherwise specified, all products are for research use only. Not intended for use in diagnostic or therapeutic procedures.

For a listing of trademarks, visit www.corning.com/clstrademarks. All other trademarks are the property of their respective owners.
 © 2013-2019 Corning Incorporated. All rights reserved.