

| | | | |
|---|----------------------|-------------------------------------|------------------------|
| CORNING | Life Sciences | Document Number: LSR00073 | Rev.: 5 |
| Description (Class): Reference, Customer Technical Data Sheet Cell Culture Flask, 150 cm² canted neck, vented cap | | | Page: 1 of 2 |

APPLICATIONS:

Cell culture
Sample or reagent storage

FEATURES:**Low profile polystyrene construction**

- Designed for efficient stacking and effective use in incubator cell
- Innovative shape permits access to all corners with a pipet or scraper
- Optically clear for easy viewing of sample or cells
- Stable from 4°C to 60°C
- Large frosted writing patch for easy labeling

Vented cap

- Biologically inert, high density polyethylene provides a chemically resistant surface
- 0.2 µm hydrophobic membrane allows gas exchange while maintaining sterility.
- Hydrophobic membrane cannot be wetted out
- Precision engineered to spin on quickly

Molded in graduations along both sides of flasks allow quick volume estimation

- 25 to 325 mL in 25 mL increments

Prominent stacking rims along perimeter of upper and lower surfaces

- Permits easy interlocked stacking in incubator or culture hood
- Flasks will not slip off one another while being transported

Tissue culture-friendly packaging

- Convenient reseal tab on the bag
- Innovative bag materials that will not scuff or scratch the flask surface
- Double-wall bags provide increased sterility assurance
- Medical-style peel-open bags guarantee that sterility is maintained as flasks are removed from the bag
- Recyclable bag material (low density polyethylene)

STERILITY:

Product is gamma irradiated.

REGULATORY COMPLIANCE:

Falcon® products are manufactured under the current ISO 13485 Standards, and the current FDA Quality System Regulation 21 CFR Section 820.

RESTRICTIONS:

- Refer to "Thermoplastics Properties Chart," available at:
<https://www.corning.com/catalog/cls/documents/compatibility-guides/CLS-DL-AN-226.pdf>

Warranty/Disclaimer: Unless otherwise specified, all products are for research use only. Not intended for use in diagnostic or therapeutic procedures.

| | | | |
|----------------|----------------------|--|-------------------|
| CORNING | Life Sciences | Document Number: LSR00073 | Rev.: 4 |
| | | Description (Class): Reference, Customer Technical Data Sheet Cell Culture Flask, 150 cm² canted neck, vented cap | |

Material: Crystal Grade Polystyrene

Related Catalog Numbers:

| Cat. No. | Packout | Cap | Neck Style | Graduations | Surface |
|----------|----------------|--------|------------|----------------|-------------|
| 355001 | 5/Bag, 40/Case | Vented | Canted | Numeric/Molded | Standard TC |

Dimensions = mm (inches)

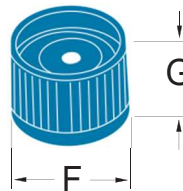
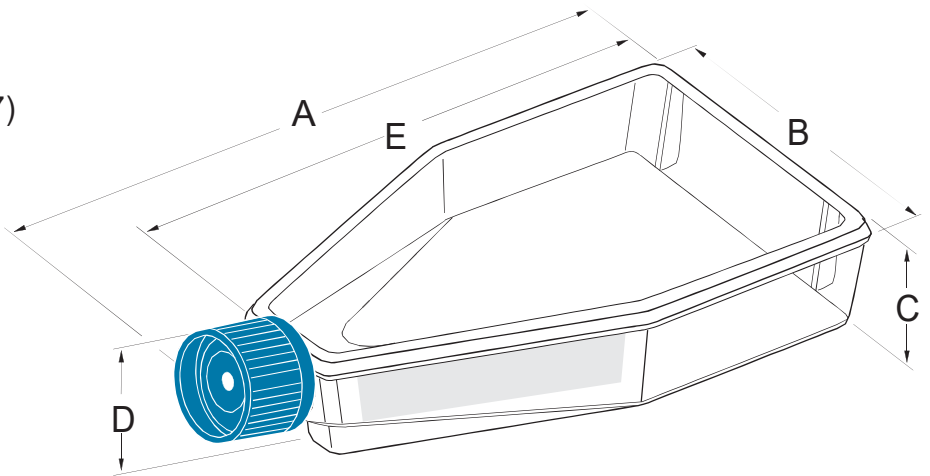
FLASK
A = w/cap 227.93 (8.974)
 w/o cap 222.93 (8.777)
B = 125.39(4.936)
C = 39.12(1.540)
D = w/cap 44.04 (1.734)
 w/o cap 38.86 (1.53)
E = 199.68 (7.86)

GROWTH AREA = 150 cm²
VOLUME = 600 mL

NECK **ID** = 26.66 (1.049)
Length = 26.05 (1.025)

CAP, Material: Blue High Density Polyethylene

F = O.D. 37.73 (1.485)
G = 23.74 (.935)



Warranty/Disclaimer: Unless otherwise specified, all products are for research use only. Not intended for use in diagnostic or therapeutic procedures.