

CORNING	Life Sciences	Document Number: LSR00001	Rev.: 5
Description (Class): Customer Technical Data Sheet – Multiwell TC Plates – 6 Well			Page: 1 of 2

Applications:

A consistent Tissue Culture surface chemistry is produced using vacuum gas plasma treatment. This permanent modification of the growth surface incorporates negatively charged functional groups that create a hydrophilic surface for cell attachment. The highly controlled vacuum gas plasma treatment creates a consistent well to well and plate to plate growth surface.

Features:

- Available in individual recyclable PET tray or bulk packaged bags
- Deep Wells
- Low Evaporation Lid
 - Unique labyrinth air passage system that provides a tortuous path for gas exchange to minimize the risk of contamination and evaporation.
 - Individual condensation rings above each well to prevent cross contamination.
- Large writing patch
- Alpha-Numeric well Identification
- One-way lid to reduce cross contamination
- Peel-open, Medical Style Package assuring aseptic product presentation.
- Available in Corning® Primaria™, an alternative TC surface incorporating positive charge for functional groups.
- Plates with different well sizes can be stacked together for efficient utilization of incubator space.
- Serrated gripping panels
- Contact Product Manager for special packaging.

Restrictions:

- In general, for use with aqueous reagents used for tissue culture.

STERILITY:

Products are gamma irradiated.

REGULATORY COMPLIANCE:

Falcon® products are manufactured under the current ISO 13485 and the current FDA Quality System Regulation 21 CFR Section 820.

Warranty/Disclaimer: Unless otherwise specified, all products are For Research Use Only. Not intended for use in diagnostic or therapeutic procedures.

CORNING	Life Sciences	Document Number: LSR00001	Rev.: 5
Description (Class): Customer Technical Data Sheet – Multiwell TC Plates – 6 Well			Page: 2 of 2

Material:

- Polystyrene (crystal grade)

Catalog Number:

Type	Cat. No.	Packout/ Description
TC Surface	353046	1/Tray, 50/Case
	353224	6/Bag, 36/Case
	353934	10/RS Tray, 60/Case
Corning® Primaria™	353846	1/Tray, 50/Case
Non-treated	351146	1/Tray, 50/Case
Notched TC Plate, used w/inserts	353502	1/Tray, 50/Case

Dimensions = XXX mm (XXX inches)

LID:

Length: A = 127.20 (5.008)

Width: B = 85.14 (3.352)

Height: C = 10.03 (.305)

PLATE:

Length: D = 127.63 (5.025)

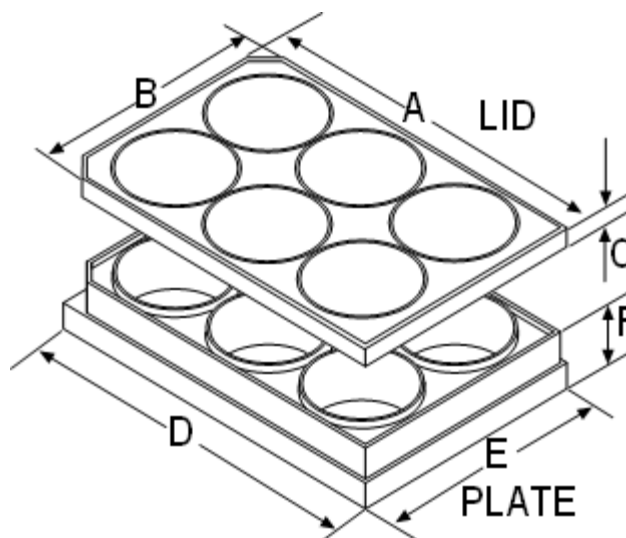
Width: E = 85.47 (3.365)

Height: F = 20.19 (.795)

Markings:

Alpha-Numerical

Ht. w/lid on = 21.43 (.844)



WELL:

Top Int. Diameter = 35.71
(1.406)

Bot. Int. Diameter = 35.00 (1.378)

Depth = 17.65 (.695)

Bottom area (growth) = 9.619 cms, 1.491 ins

Center to center = 39.24 (1.545)

Bottom thickness = 1.52 (.060)

Volume of Media/well = 2.5 to 3.0 ml

Volume of Trypsin/well = .20 to .30 ml

Warranty/Disclaimer: Unless otherwise specified, all products are For Research Use Only. Not intended for use in diagnostic or therapeutic procedures.