

CORNING	Life Sciences	Document Number: LSR00157	Rev.: 4
Description (Class): Reference, Customer Technical Data Sheet 60x15 mm Dish			Page: 1 of 2

Applications:

- Tissue Culture-treated and Corning® Primaria™ Dishes
 - Growth of adherent cell lines
 - Unimpaired observation of dish contents
- Non-treated dishes
 - Culture of bacteria, fungi, or other microorganisms on a solid substrate (agar) Growth of non-adherent cell lines in liquid medium
- In vitro Fertilization Dish (Cat. No. 353652, only)
 - Recommended for use in IVF labs. Lot specific certification of sterility, non-pyrogenicity, and non-embryotoxicity.

Features:

- Flat, distortion free optics
- Lids designed for optimal gas exchange
- Sterile
- Non-pyrogenic
- Packaged in peel open medical style bags
- Durable construction for stable dish manipulation
- Tissue Culture and Corning Primaria-treated
 - Reliable vacuum-gas plasma treatment permanently and consistently modifies the growth surface for cell adherence

STERILITY:

Product is gamma irradiated

REGULATORY COMPLIANCE:

- Falcon® products are manufactured under the current ISO 13485 Standards, and the current FDA Quality System Regulation 21 CFR Section 820.
- 353652 only - Falcon® products are manufactured under the current ISO 13485 Standards, the Medical Device Directive (MDD) 93/42/EEC, and the current FDA Quality System Regulation 21 CFR Section 820.

RESTRICTIONS:

- Refer to "Thermoplastics Properties Chart," available at:
<https://www.corning.com/catalog/clis/documents/compatibility-guides/CLS-DL-AN-226.pdf>

Warranty/Disclaimer: Unless otherwise specified, all products are for research use only. Not intended for use in diagnostic or therapeutic procedures.

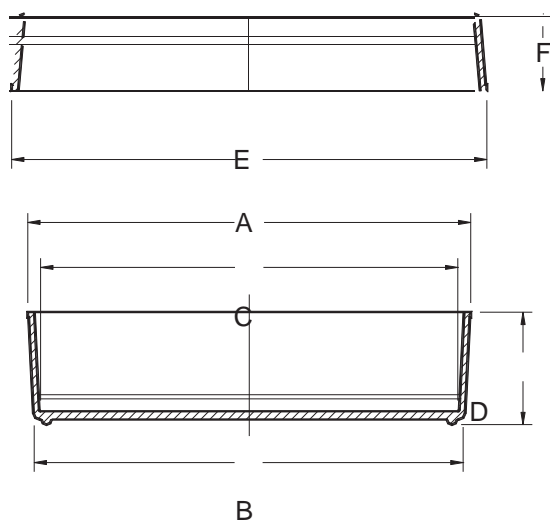
Description (Class):
Reference, Customer Technical Data Sheet 60x15 mm Dish

Page:
2 of 2

Related Catalog Numbers:

Cat. No.	Packout Description	Surface
353002	20/bag, 500/case	Tissue Culture Treated
353802	20/bag, 200/case	Corning® Primaria™
351007	20/bag, 500/case	Non-treated
353652	20/bag, 500/case	In Vitro Fertilization product, Tissue Culture-Treated

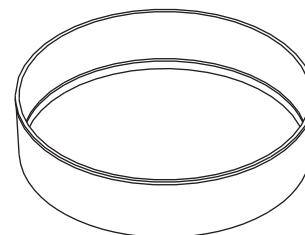
Growth Area = 21.29 cm²
Working Volume = 6.0-7.0 mL
Total Volume = 23 mL



LID



DISH



ITEM	CAT. NO.	DESCRIPTION	DISH AND LID KEY DIMENSIONS mm (inches)							Height of 5 Lidded Dishes
			A	B	C	D	E	F		
1	353002	60 x 15 mm Dish, TC Treated 20/bag, 500/case	54.81 (2.16)	53.34 (2.10)	51.44 (2.03)	13.89 (.55)	58.80 (2.31)	9.53 (.38)	75.18 (2.96)	
2	353802	60 x 15 mm Dish, Corning Primaria 20/bag, 200/case	54.81 (2.16)	53.34 (2.10)	51.44 (2.03)	13.89 (.55)	58.80 (2.31)	9.53 (.38)	75.18 (2.96)	
3	351007	60 x 15 mm Dish, Non-treated 20/bag, 500/case	54.81 (2.16)	53.34 (2.10)	51.44 (2.03)	13.89 (.55)	58.80 (2.31)	9.53 (.38)	75.18 (2.96)	
4	353652	60 x 15 mm Dish, TC Treated 20/bag,500/case	54.81 (2.16)	53.34 (2.10)	51.44 (2.03)	13.89 (.55)	58.80 (2.31)	9.53 (.38)	75.18 (2.96)	

Warranty/Disclaimer: Unless otherwise specified, all products are for research use only. Not intended for use in diagnostic or therapeutic procedures.