

CORNING	Life Sciences	Document Number: LSR00067	Rev.: 7
Description (Class): Reference, Customer Technical Data Sheet Cell Culture Flask, 75 cm² Straight Neck, Plug Seal Cap			Page: 1 of 2

APPLICATIONS:

- Cell culture
- Sample or reagent storage

FEATURES:**Polystyrene construction**

- Optically clear for easy viewing of sample or cells
- Stable from 4°C to 60°C

Choice of surface for specific cell culture needs

- Corning® Primaria™ treatment provides a net-negative charged surface heterogeneously composed of positively charged amino groups and negatively charged carboxyl groups
- Standard Tissue Culture (TC) treatment provides a homogeneous negatively charged surface composed of negatively charged carboxyl groups

Two-position plug seal cap

- Biologically inert, high density polyethylene provides a chemically resistant surface
- Cap can be loosely closed to allow gas exchange
- Further tightening snaps cap into sealed position that is liquid-tight
- A reference bar on the outside of the cap can be aligned with flask markings for precise incubation conditions

Molded graduations along both sides of flasks

- 10 to 50 mL in 10 mL increments
- 50 to 200 mL in 50 mL increments

Prominent stacking rims along perimeter of upper and lower surfaces

- Permits easy interlocked stacking in incubator or culture hood
- Flasks will not slip off one another while being transported

Tissue culture-friendly packaging

- Convenient reseal tab on the bag
- Innovative bag materials that will not scuff or scratch the flask surface
- Double-wall bags provide increased sterility assurance
- Medical-style peel-open bags guarantee that sterility is maintained as flasks are removed from the bag
- Recyclable bag material (low density polyethylene)

STERILITY:

Product is gamma irradiated.

REGULATORY COMPLIANCE:

Falcon® products are manufactured under the current ISO 13485 Standards, and the current FDA Quality System Regulation 21 CFR Section 820.

RESTRICTIONS:

- Refer to "Thermoplastics Properties Chart," available at:
<https://www.corning.com/catalog/cls/documents/compatibility-guides/CLS-DL-AN-226.pdf>

Warranty/Disclaimer: Unless otherwise specified, all products are for research use only. Not intended for use in diagnostic or therapeutic procedures.

Description (Class):
Reference, Customer Technical Data Sheet
Cell Culture Flask, 75 cm² Straight Neck, Plug Seal Cap

Page:
2 of 2

Material: Clear and Transparent Polystyrene

Related Catalog Numbers:

Cat. No.	Packout Description	Cap	Neck Style	Graduations	Surface
353024	5/Bag, 100/Case	Plug Seal	Straight	Numeric/molded	Standard TC
353824	5/Bag, 100/Case	Plug Seal	Straight	Numeric/molded	Standard TC

Dimensions = mm (inches)

FLASK

- A = w/cap 150.69 (5.933)
w/o cap 148.66 (5.853)
- B = 80.92 (3.186)
- C = 36.67 (1.444)
- D = w/cap 38.10 (1.500)
w/o cap 36.68 (1.449)
- E = 127.38 (5.011)

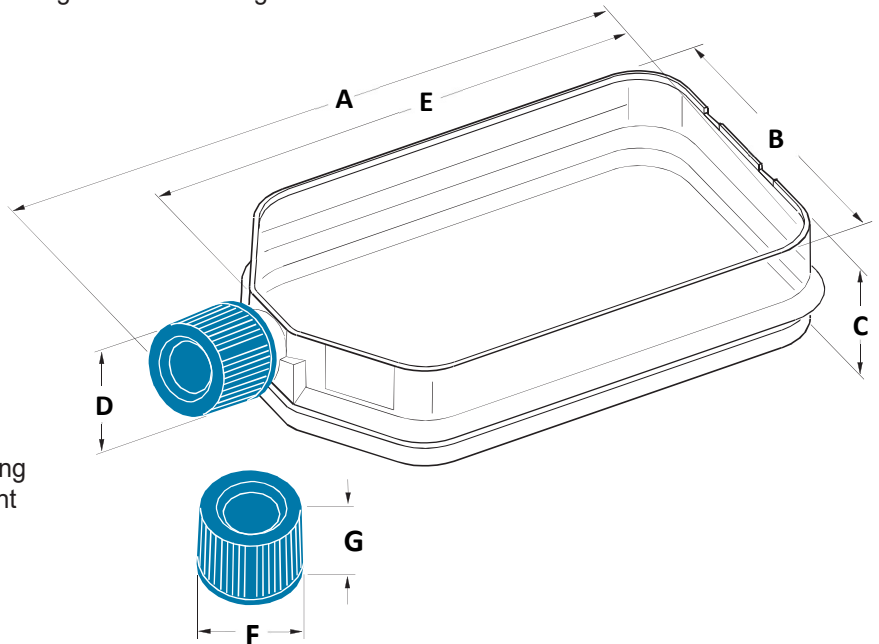
GROWTH AREA = 75 cm²
VOLUME = 250 mL

NECK

- ID = 17.40 (.685) at the opening
16.66 (.656) at body joint
- Length = 20.70 (.815)

CAP, Material: High Density Polyethylene

- F = O.D. 25.40 (1.000)
- G = 21.68 (.853)



Warranty/Disclaimer: Unless otherwise specified, all products are for research use only. Not intended for use in diagnostic or therapeutic procedures.