

<b>CORNING</b>	<b>Life Sciences</b>	Document Number: <b>LSR00071</b>	Rev.: <b>6</b>
<b>Description (Class): Reference, Customer Technical Data Sheet Cell Culture Flask, 75 cm<sup>2</sup> canted neck, vented cap</b>			Page: <b>1 of 2</b>

**APPLICATIONS:**

Cell culture

**FEATURES:****Polystyrene construction**

- Optically clear for easy viewing of sample or cells
- Stable from 4°C to 60°C
- Frosted writing patch for easy labeling
- Tissue culture (TC)-treated to promote cell attachment

**Vented cap**

- Biologically inert, high density polyethylene provides a chemically resistant surface
- 0.2 µm hydrophobic membrane allows gas exchange while maintaining sterility
- Hydrophobic membrane cannot be wetted out

**Molded graduations along both sides of flasks**

- 20 to 100 mL in 10 mL increments
- 100 to 275 mL in 25 mL increments

**Prominent stacking rims along perimeter of upper and lower surfaces**

- Permits easy interlocked stacking in incubator or culture hood
- Flasks will not slip off one another while being transported

**Tissue culture-friendly packaging**

- Convenient reseal tab on the bag
- Innovative bag materials that will not scuff or scratch the flask surface
- Double-wall bags provide increased sterility assurance.
- Medical-style peel-open bags guarantee that sterility is maintained as flasks are removed from the bag
- Recyclable bag material (low density polyethylene)

**STERILITY:**

Product is gamma irradiated.

**REGULATORY COMPLIANCE:**

Falcon® products are manufactured under the current ISO 13485 Standards, and the current FDA Quality System Regulation 21 CFR Section 820.

**RESTRICTIONS:**

- Refer to "Thermoplastics Properties Chart," available at:  
<https://www.corning.com/catalog/cls/documents/compatibility-guides/CLS-DL-AN-226.pdf>

Warranty/Disclaimer: Unless otherwise specified, all products are for research use only. Not intended for use in diagnostic or therapeutic procedures.

**Description (Class):**  
Reference, Customer Technical Data Sheet  
Cell Culture Flask, 75 cm<sup>2</sup> canted neck, vented cap

Page:  
**2 of 2**

**Material:** Clear and Transparent Polystyrene

**Related Catalog Numbers:**

Cat. No.	Packout Description	Cap	Neck Style	Graduations	Surface
353136	5/Bag, 60/Case	Vented	Canted	Numeric/molded	Standard TC

**Dimensions = mm (inches)**

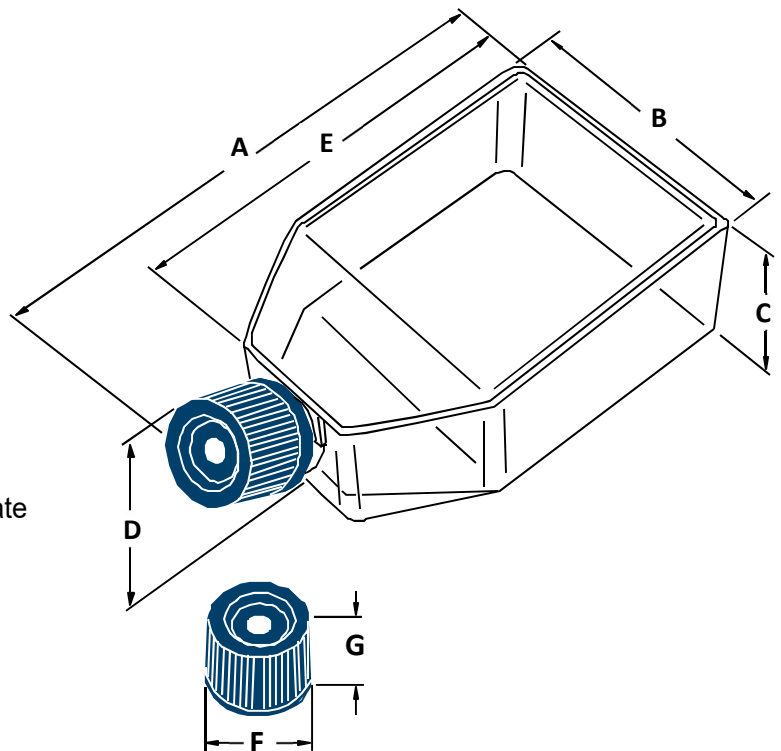
**FLASK**  
**A** = w/cap 159.33 (6.273)  
           w/o cap 157.27 (6.192)  
**B** = 86.97 (3.424)  
**C** = 38.15 (1.502)  
**D** = w/cap 1.444 (36.67)  
           w/o cap 1.444 (36.67)  
**E** = 130.51 (5.138)

**GROWTH AREA** = 75 cm<sup>2</sup>  
**VOLUME** = 250 mL

**NECK**  
**ID** = 22.96 (.904)  
**Length** = 25.40 (1.000)

**CAP, Material:** High Density Polyethylene Concentrate

**F** = O.D. 30.99 (1.222)  
**G** = 21.59 (.850)



Warranty/Disclaimer: Unless otherwise specified, all products are for research use only. Not intended for use in diagnostic or therapeutic procedures.