

CORNING	Life Sciences	Document Number: LSR00198	Rev.: 3
Description (Class): Reference, Customer Technical Data Sheet -- Four Well In Vitro Fertilization Plate with Sliding Lid			Page: 1 of 2

APPLICATIONS:

- Recommended for use in IVF labs. Lot specific certification of sterility, nonpyrogenicity, and non-embryotoxicity.

FEATURES:

- Flat, distortion free optics
- Sliding lid for access to two wells at a time
- Lid designed for optimal gas exchange
- Minimal visual obstruction of embryos during microscopic examination
- Durable construction for stable plate manipulation
- Reliable vacuum-gas plasma treatment permanently and consistently modifies the growth surface
- Non-pyrogenic
- Non-embryotoxic
- Meets requirements for 10⁻⁶ SAL
- Endotoxin <5 EU/device
- Packaged in individually sealed blister pack compartments
- Expiration date is 4 years from manufacturing date

STERILITY:

Product is gamma irradiated.

REGULATORY COMPLIANCE:


Falcon® products are manufactured under the current ISO 13485 Standard, the Medical Device Directive (MDD) 93/42/EEC, and the current FDA Quality System Regulation 21 CFR Section 820.

RESTRICTIONS:

Refer to "Thermoplastics Properties Chart," available at:

<https://www.corning.com/catalog/cls/documents/compatibility-guides/CLS-DL-AN-226.pdf>

Warranty/Disclaimer: Unless otherwise specified, all products are For Research Use Only. Not intended for use in diagnostic or therapeutic procedures.

 Life Sciences	Document Number: LSR00198	Rev.: 3
	Description (Class): Reference, Customer Technical Data Sheet -- Four Well In Vitro Fertilization Plate with Sliding Lid	

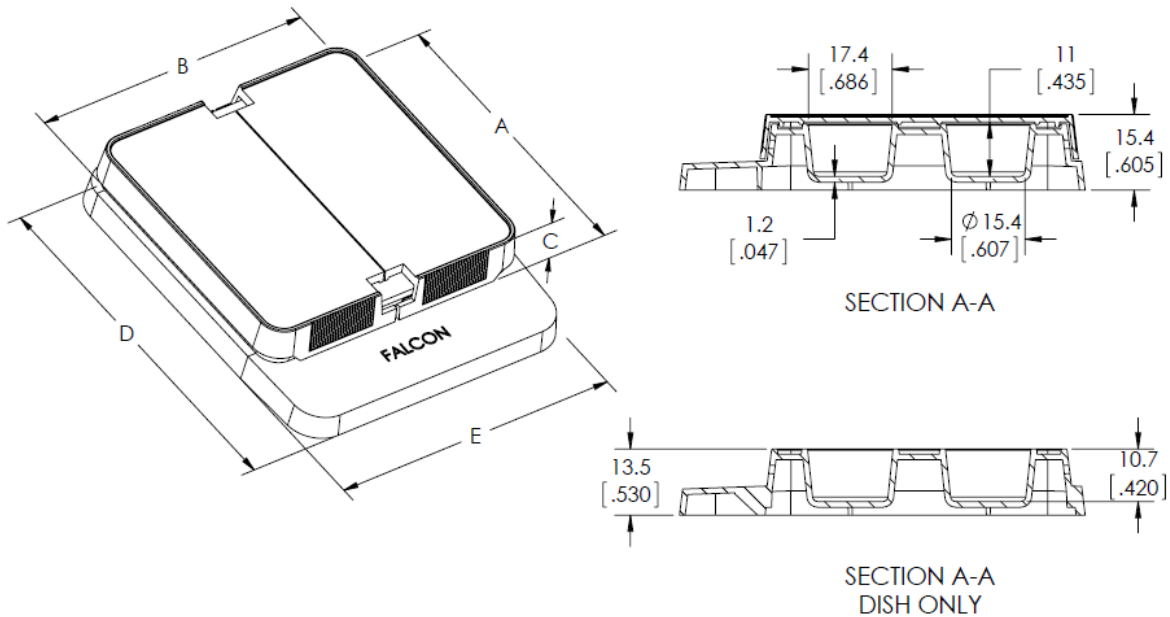
Material: Crystal Grade Polystyrene

Related Catalog Numbers:

<u>Cat No.</u>	<u>/Description</u>	<u>Surface</u>
353654	1 unit/blister pack, 100 units/case	Tissue Culture Treated

Growth Area: 1.39 cm²/well or 0.22 in.²/well

Plate, Lid and Well Dimensions = mm (inch):



Item	CAT. NO.	DESCRIPTION	PLATE AND LID DIMENSIONS mm (inches)						WELL DIMENSIONS mm (inches)					
			Lid length A	Lid width B	Lid height C	Plate length D	Plate width E	Plate Height F	Top ID	Bottom ID	Depth	Bottom growth area	Center to center	Bottom Thickness
1	353654	Four Well IVF Plate with sliding lid, tissue culture treated, 1/blister pack, 100/case	64.9 (2.555)	65.4 (2.574)	9.0 (0.354)	82.3 (3.240)	68.3 (2.689)	13.5 (0.531)	17.4 (0.685)	15.4 (0.606)	10.7 (0.421)	1.39cm ² (0.22 in ²)	28.2 (1.110)	1.2 (0.047)

Note: Dimensions are determined by measurement, engineering diagrams and/or mathematical derivation. They are for reference use only and considered nominal unless otherwise indicated.

Warranty/Disclaimer: Unless otherwise specified, all products are For Research Use Only. Not intended for use in diagnostic or therapeutic procedures.

For a listing of trademarks, visit www.corning.com/clstrademarks. All other trademarks are the property of their respective owners.
© 2013-2018 Corning Incorporated. All rights reserved.