

CORNING	Life Sciences	Document Number: LSR00076	Rev.: 5
Description (Class): Reference, Customer Technical Data Sheet Cell Culture Flask, 175 cm² straight neck, vented cap			Page: 1 of 2

APPLICATIONS:

Cell culture

FEATURES:

Polystyrene construction

- Optically clear for easy viewing of sample or cells
- Stable from 4°C to 60°C

Vented cap

- Biologically inert polyethylene provides a chemically resistant surface
- 0.2 µm hydrophobic membrane allows gas exchange while maintaining sterility
- Hydrophobic membrane cannot be wetted out

Molded graduations along both sides of flasks

- 50 to 200 mL in 25 mL increments
- 200 to 600 mL in 50 mL increments
- Allows quick volume estimation.

Frosted writing patches on both sides of cap

- Facilitates identification of flask contents

Prominent stacking rims along perimeter of upper and lower surfaces

- Permits easy interlocked stacking in incubator or culture hood.
- Flasks will not slip off one another while being transported

Tissue culture-friendly packaging

- Convenient reseal tab on the bag
- Innovative bag materials that will not scuff or scratch the flask surface
- Double-wall bags provide increased sterility assurance
- Medical-style peel-open bags guarantee that sterility is maintained as flasks are removed from the bag
- Recyclable bag material (low density polyethylene)

STERILITY:

Product is gamma irradiated.

REGULATORY COMPLIANCE:

Falcon® products are manufactured under the current ISO 13485 Standards, and the current FDA Quality System Regulation 21 CFR Section 820.

RESTRICTIONS:

- Refer to "Thermoplastics Properties Chart," available at:
<https://www.corning.com/catalog/cls/documents/compatibility-guides/CLS-DL-AN-226.pdf>

Warranty/Disclaimer: Unless otherwise specified, all products are for research use only. Not intended for use in diagnostic or therapeutic procedures.

Description (Class):
Reference, Customer Technical Data Sheet
Cell Culture Flask, 175 cm² straight neck, vented cap

Page:
2 of 2

Material: Polystyrene

Related Catalog Numbers:

Cat. No.	Packout Description	Cap	Neck Style	Graduations	Surface
353112	5/Bag, 40/Case	Vented	Straight	Numeric/molded	Standard TC

Dimensions = mm (inches)

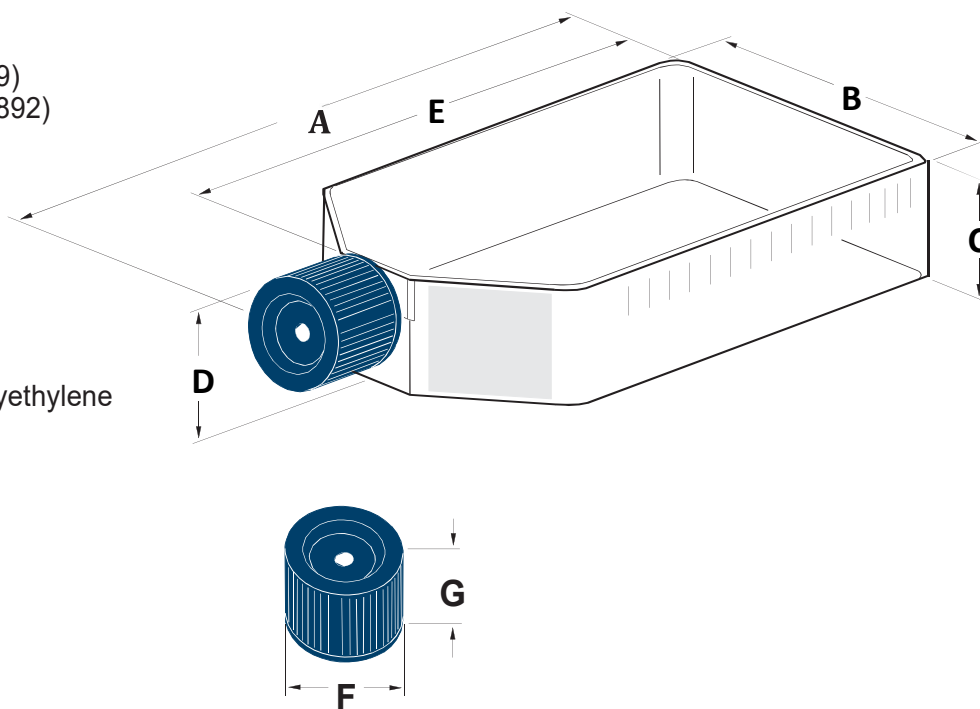
FLASK
A = w/cap 199.80 (7.866)
 w/o cap 197.6 (7.780)
B = 122.94(4.840)
C = 48.06(1.892)
D = w/cap 50.52 (1.989)
 w/o cap 48.06 (1.892)
E = 172.24 (6.781)

GROWTH AREA = 175 cm²
VOLUME = 750 mL

NECK
ID = 25.91 (1.020)
Length = 25.40 (1.000)

CAP, Material: Blue Concentrate Polyethylene

F = O.D. 35.97 (1.416)
G = 25.50 (1.004)



Warranty/Disclaimer: Unless otherwise specified, all products are for research use only. Not intended for use in diagnostic or therapeutic procedures.