

CORNING	Life Sciences	Document Number: LSR00155	Rev.: 4
Description (Class): Reference, Customer Technical Data Sheet Cell Culture Flask, 225 cm² canted neck, plug seal cap			Page: 1 of 2

APPLICATIONS:

Cell culture

FEATURES:**Low profile polystyrene construction**

- Designed for efficient stacking and effective use of incubator space
- Optically clear for easy viewing of sample or cells
- Stable from 4°C to 60°C
- Large frosted writing patch for easy labeling

Two-position plug seal cap

- Biologically inert, high density polyethylene provides a chemically resistant surface
- Cap can be loosely closed to allow gas exchange
- Further tightening snaps cap into sealed position that is liquid-tight
- A reference bar on the outside of the cap can be aligned with flask markings for precise incubation conditions
- Patented "Locking Incubation Position" prevents cap from falling off or closing while in the open position
- Precision engineered to spin on quickly

Molded graduations

- 50 to 200 mL in 25 mL increments
- 200 to 400 mL in 50 mL increments
- 100 mL maximum volume molded in horizontal position

Prominent stacking rims along perimeter of upper and lower surfaces

- Permits easy interlocked stacking in incubator or culture hood
- Flasks will not slip off one another while being transported

Tissue culture-friendly packaging

- Convenient reseal tab on the bag
- Innovative bag materials that will not scuff or scratch the flask surface
- Double-wall bags provide increased sterility assurance
- Medical-style peel-open bags guarantee that sterility is maintained as flasks are removed from the bag
- Recyclable bag material (low density polyethylene)

STERILITY:

Product is gamma irradiated.

REGULATORY COMPLIANCE:

Falcon® products are manufactured under the current ISO 13485 Standards, and the current FDA Quality System Regulation 21 CFR Section 820.

RESTRICTIONS:

- Refer to "Thermoplastics Properties Chart," available at:
<https://www.corning.com/catalog/cls/documents/compatibility-guides/CLS-DL-AN-226.pdf>

Warranty/Disclaimer: Unless otherwise specified, all products are for research use only. Not intended for use in diagnostic or therapeutic procedures.

Description (Class):
Reference, Customer Technical Data Sheet
Cell Culture Flask, 225 cm² canted neck, plug seal cap

Page:
2 of 2

Material: Crystal Grade Polystyrene

Related Catalog Numbers:

Cat. No.	Packout Description	Cap	Neck Style	Graduations	Surface
353139	5/Bag, 30/Case	Plug Seal	Canted	Numeric/Molded	Standard TC

Dimensions = mm (inches)

FLASK

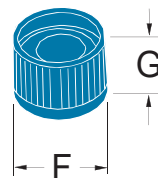
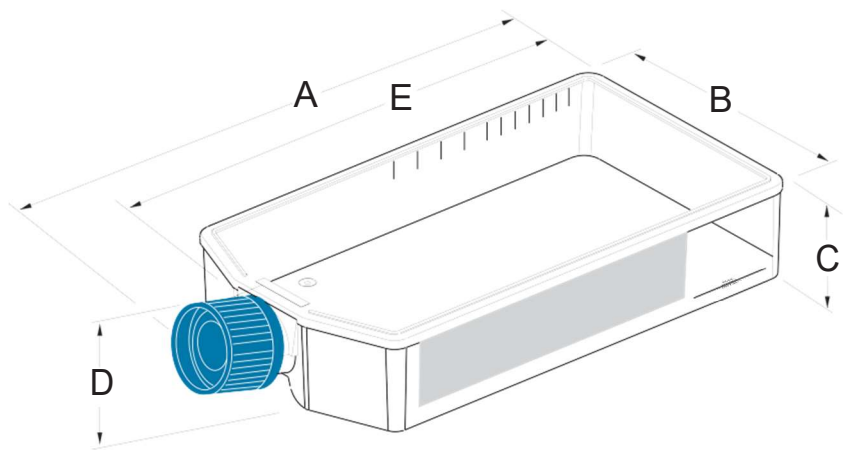
- A = w/cap 257.66 (10.144)
w/o cap 249.35 (9.817)
- B = 124.52 (4.903)
- C = 42.49 (1.673)
- D = w/cap 48.61 (1.914)
w/o cap 44.36 (1.747)
- E = 221.52 (8.721)

GROWTH AREA = 225 cm²
WORKING VOLUME = 60 – 100 mL
TOTAL VOLUME = 800mL

NECK ID = 26.66 (1.049)
Length = 30.31 (1.193)

CAP, Material: Blue Concentrate Polypropylene

G = 23.74 (.935)
F = 0.0. 37.73 (1.485)



Warranty/Disclaimer: Unless otherwise specified, all products are for research use only. Not intended for use in diagnostic or therapeutic procedures.