

## Instructions for use

Tip Tool

English (EN)

Before using the accessories for the first time, read these instructions for use. Also read the operating manual of the device the accessories are used with.

## 1 Product description

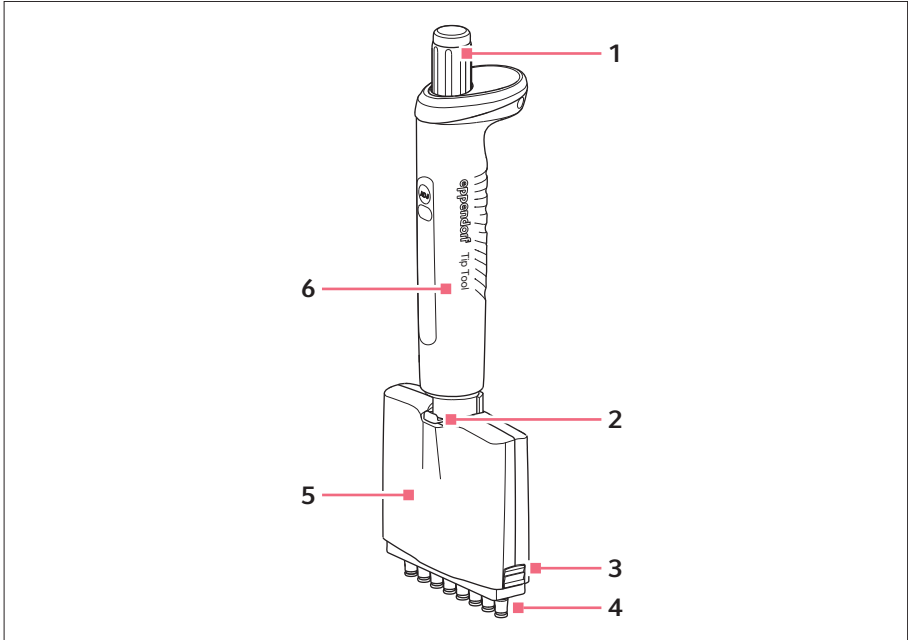


Fig. 1: Tip Tool

- |   |                     |
|---|---------------------|
| <b>1 Ejector</b><br>For ejecting pipette tips   | <b>4 Tip cones</b>  |
| <b>2 Lever</b><br>For removing the lower part   | <b>5 Lower part</b> |
| <b>3 Latch</b><br>For unlocking the cover plate | <b>6 Upper part</b> |

The Tip Tool is a device for equipping ReservoirRack module tips with empty and unused epT.I.P.S. Motion in the sizes 10  $\mu\text{L}$ , 50  $\mu\text{L}$ , 300  $\mu\text{L}$  and 1 000  $\mu\text{L}$ . The Tip Tool can take up a column (8 pieces) of epT.I.P.S. Motion.

To keep the Tip Tool safe and within easy reach, the holder 2 can be attached to the outside of the epMotion on the left or right.

## 2 Instructions for use

### 2 Tip Tool

English (EN)

#### 1.1 Delivery package

Quantity	Order no. (International)	Description
1	5285 000.000	<b>Tip Tool</b> Tool for the transport of epT.I.P.S. Motion including racks and reload trays in ReservoirRack module Tips, incl. holder
1	5285 601.000	<b>O-ring set for Tip Tool</b> 10 pieces O-ring big; 10 pieces O-ring small, Tip
1	3116 000.112	<b>Holder 2</b> for one Eppendorf Research/plus, Reference/2, Biomaster or Tip Tool for Carousel 2, Charger Carousel 2 or wall mounting

## 2 Safety

### 2.1 Intended use

The Tip Tool has been designed and developed for transporting empty and unused epT.I.P.S. Motion from epT.I.P.S. Motion racks and epT.I.P.S. Motion Reload trays to the ReservoirRack module tips. It is intended exclusively for use in research. The Tip Tool is intended exclusively for indoor use by trained and qualified personnel.

### 2.2 Warnings for intended use



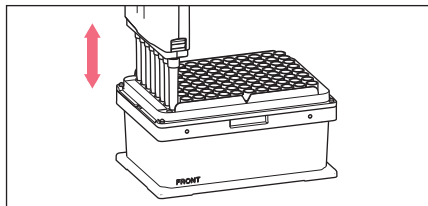
#### **CAUTION! Poor safety due to incorrect accessories and spare parts.**

The use of accessories and spare parts other than those recommended by Eppendorf may impair the safety and functioning of the device. Eppendorf cannot be held liable or accept any liability for damage resulting from the use of accessories and spare parts other than those recommended or from the improper use of such equipment.

- ▶ Only use accessories and original spare parts recommended by Eppendorf.

## 3 Operation

### 3.1 Taking up pipette tips



1. Place the Tip Tool vertically from above onto the pipette tips, applying light pressure.
2. Carefully remove the Tip Tool with the attached pipette tips upwards.

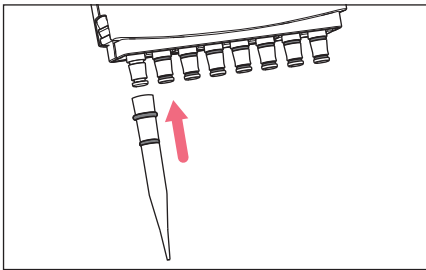
### 3.2 Ejecting pipette tips

1. Hold the Tip Tool with the attached epT.I.P.S. Motion in the corresponding positions of a ReservoirRack module.
2. Press the ejector.  
The epT.I.P.S. Motion are ejected into the corresponding positions.

## 4 Maintenance

### 4.1 Replacing o-rings

The o-rings must be replaced in case of damage.



1. Remove the o-rings from the tip cones using your fingers.
2. Mount the large o-ring onto the supplied tip.
3. Mount the small o-ring onto the supplied tip.
4. Press the tip with the mounted o-rings onto a tip cone.
5. Roll down and position the o-rings from the tip onto the tip cone.

### 4.2 Cleaning



#### **NOTICE! Damage to product due to unsuitable cleaning agents.**

Unsuitable cleaning agents may damage the product.

- ▶ Do not use corrosive cleaning agents, strong solvents, or abrasive polishes.
- ▶ Do **not** clean the device with acetone or organic solvents with a similar effect.

#### 4.2.1 Cleaning and disinfecting the Tip Tool

1. Moisten a cloth with a cleaning agent and a decontamination agent.
2. Remove external contamination.
3. Moisten a new cloth with water.
4. Wipe down the housing.

#### 4.2.2 Sterilizing the Tip Tool with UV light

The Tip Tool can be sterilized with UV light at 254 nm.

## Instructions for use

Tip Tool

English (EN)

### 4.3 Autoclaving



#### **NOTICE! Damage to product due to incorrect handling.**

- ▶ Do not use any additional disinfectants, decontamination agents, or sodium hypochlorite during autoclaving or UV irradiation.



The upper part and lower part can be autoclaved in an assembled state. The lower part does not have to be disassembled.

#### Prerequisites

Any residual cleaning agent has been removed.

1. Autoclave the Tip Tool at 121 °C and 1 bar positive pressure for 20 minutes.
2. Allow the Tip Tool to dry.

## 5 Technical data

### 5.1 Weight/dimensions

Dimensions	Width: 85 mm Depth: 35 mm Height: 230 mm
Weight	155 g
Pipette tips that can be used	epT.I.P.S. Motion 10 µL epT.I.P.S. Motion 50 µL epT.I.P.S. Motion 300 µL epT.I.P.S. Motion 1 000 µL

## 6 Ordering information

### 6.1 Accessories

Order no. (International)	Description
5285 601.000	<b>O-ring set for Tip Tool</b> 10 pieces O-ring big; 10 pieces O-ring small, Tip
3116 000.112	<b>Holder 2</b> for one Eppendorf Research/plus, Reference/2, Biomaster or Tip Tool for Carousel 2, Charger Carousel 2 or wall mounting

Your local distributor: [www.eppendorf.com/contact](http://www.eppendorf.com/contact)

Eppendorf AG · Barkhausenweg 1 · 22339 Hamburg · Germany

[eppendorf@eppendorf.com](mailto:eppendorf@eppendorf.com) · [www.eppendorf.com](http://www.eppendorf.com)