

<b>CORNING</b>	<b>Life Sciences</b>	Document Number: <b>LSR00197</b>	Rev.: <b>3</b>
Description (Class): <b>Reference, Customer Technical Data Sheet -- 60x15mm One Well In Vitro Fertilization Dish</b>			Page: <b>1 of 2</b>

**APPLICATIONS:**

- Recommended for use in IVF labs. Lot specific certification of sterility, nonpyrogenicity, and non-embryotoxicity.

**FEATURES:**

- Flat, distortion free optics
- Lid designed for easy handling and optimal gas exchange
- Minimal visual obstruction of embryos during microscopic examination
- Durable construction for stable dish manipulation
- Reliable vacuum-gas plasma treatment permanently and consistently modifies the growth surface
- Non-pyrogenic
- Non-embryotoxic
- Meets requirements for 10<sup>-6</sup> SAL
- Endotoxin <5 EU/device
- Packaged 20 per bag
- Expiration date is 4 years from manufacturing date

**STERILITY:**

Product is gamma irradiated.

**REGULATORY COMPLIANCE:**


Falcon® products are manufactured under the current ISO 13485 Standards, the Medical Device Directive (MDD) 93/42/EEC, and the current FDA Quality System Regulation 21 CFR Section 820.

**RESTRICTIONS:**

Refer to "Thermoplastics Properties Chart," available at:

<https://www.corning.com/catalog/cls/documents/compatibility-guides/CLS-DL-AN-226.pdf>

Warranty/Disclaimer: Unless otherwise specified, all products are For Research Use Only. Not intended for use in diagnostic or therapeutic procedures.

 <b>Life Sciences</b>	Document Number: <b>LSR00197</b>	Rev.: <b>3</b>
	Description (Class): <b>Reference, Customer Technical Data Sheet -- 60x15mm One Well In Vitro Fertilization Dish</b>	

**Material:** Crystal Grade Polystyrene

**Related Catalog Numbers:**

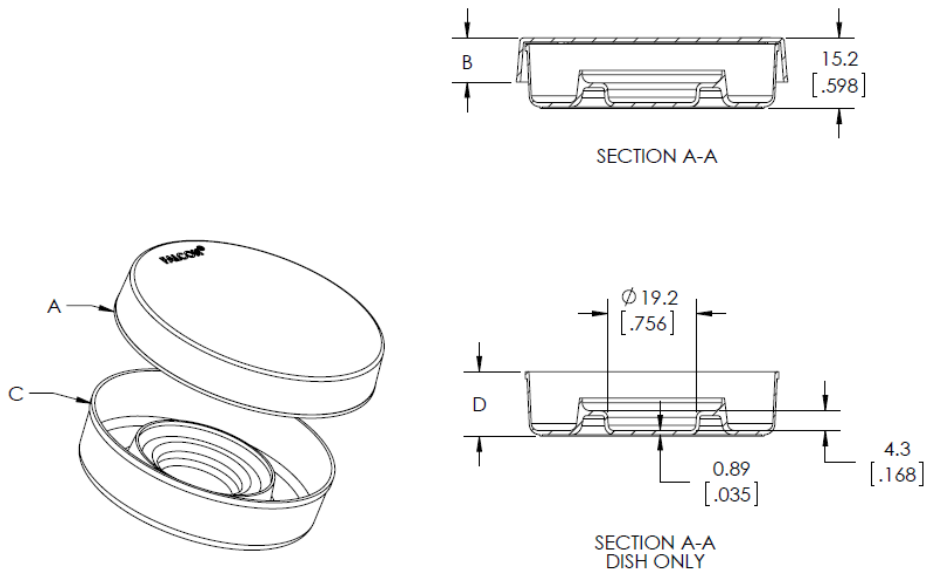
Cat No.  
353653

/Description  
20 dishes/bag, 500 dishes/case

Surface  
Tissue Culture Treated

**Growth Area:** 2.48 cm<sup>2</sup>/well or 0.385 in.<sup>2</sup>/well

**Dish, Lid and Well Dimensions = mm (inch):**



Item	CAT. NO.	DESCRIPTION	DISH AND LID DIMENSIONS mm (inches)				WELL DIMENSIONS mm (inches)				
			Lid Diameter A	Lid Height B	Dish Diameter C	Dish length D	Top Internal Diameter	Bottom Internal Diameter	Well Depth	Bottom growth area	Bottom Thickness
1	353653	60 x 15mm One Well IVF Dish, tissue culture treated, 20/bag, 500/case	58.93 (2.320)	9.53 (.375)	54.94 (2.163)	13.58 (.535)	19.2 (0.756)	19.0 (0.748)	4.3 (.168)	2.48cm <sup>2</sup> (0.385 in <sup>2</sup> )	.89 (.035)

Note: Dimensions are determined by measurement, engineering diagrams and/or mathematical derivation. They are for reference use only and considered nominal unless otherwise indicated.

Warranty/Disclaimer: Unless otherwise specified, all products are For Research Use Only. Not intended for use in diagnostic or therapeutic procedures.

For a listing of trademarks, visit [www.corning.com/clstrademarks](http://www.corning.com/clstrademarks). All other trademarks are the property of their respective owners.  
© 2013-2018 Corning Incorporated. All rights reserved.