

	Life Sciences	Document Number: LSR00180	Rev.: 6
Description (Class): Reference, Customer Technical Data Sheet – Low Wall In Vitro Fertilization Dish			Page: 1 of 2

APPLICATIONS:

- Recommended for use in IVF (InVitro Fertilization) labs for the Intracytoplasmic Sperm Injection procedure

FEATURES:

- Low wall of the Low Wall In Vitro Fertilization Dish provides ease of use for micro-manipulation procedures
- Tight-fit lid included (not recommended for long term incubation)
- Minimal visual obstruction of embryos during microscopic examination
- Durable construction for stable dish manipulation
- Untreated surface (non-wettable) for optimal media droplet consistency
- Non-pyrogenic
- Non-embryotoxic
- Meets requirements for 10⁻⁶ SAL
- Endotoxin <5 EU/device
- Packaged in individually sealed blister compartments
- Expiration date is 4 years from manufacturing date

STERILITY:

Product is gamma irradiated.

REGULATORY COMPLIANCE:

Falcon® products are manufactured under the current ISO 13485 Standards, the Medical Device Directive (MDD) 93/42/EEC, and the current FDA Quality System Regulation 21 CFR Section 820.

RESTRICTIONS:

Refer to "Thermoplastics Properties Chart," available at:

<https://www.corning.com/catalog/cls/documents/compatibility-guides/CLS-DL-AN-226.pdf>

Warranty/Disclaimer: Unless otherwise specified, all products are for research use only. Not intended for use in diagnostic or therapeutic procedures.

For a listing of trademarks, visit www.corning.com/clstrademarks. All other trademarks are the property of their respective owners.

© 2013-2018 Corning Incorporated. All rights reserved.

Description (Class):
Reference, Customer Technical Data Sheet – Low Wall In Vitro Fertilization Dish

Page:
2 of 2

Material: Crystal Grade Polystyrene

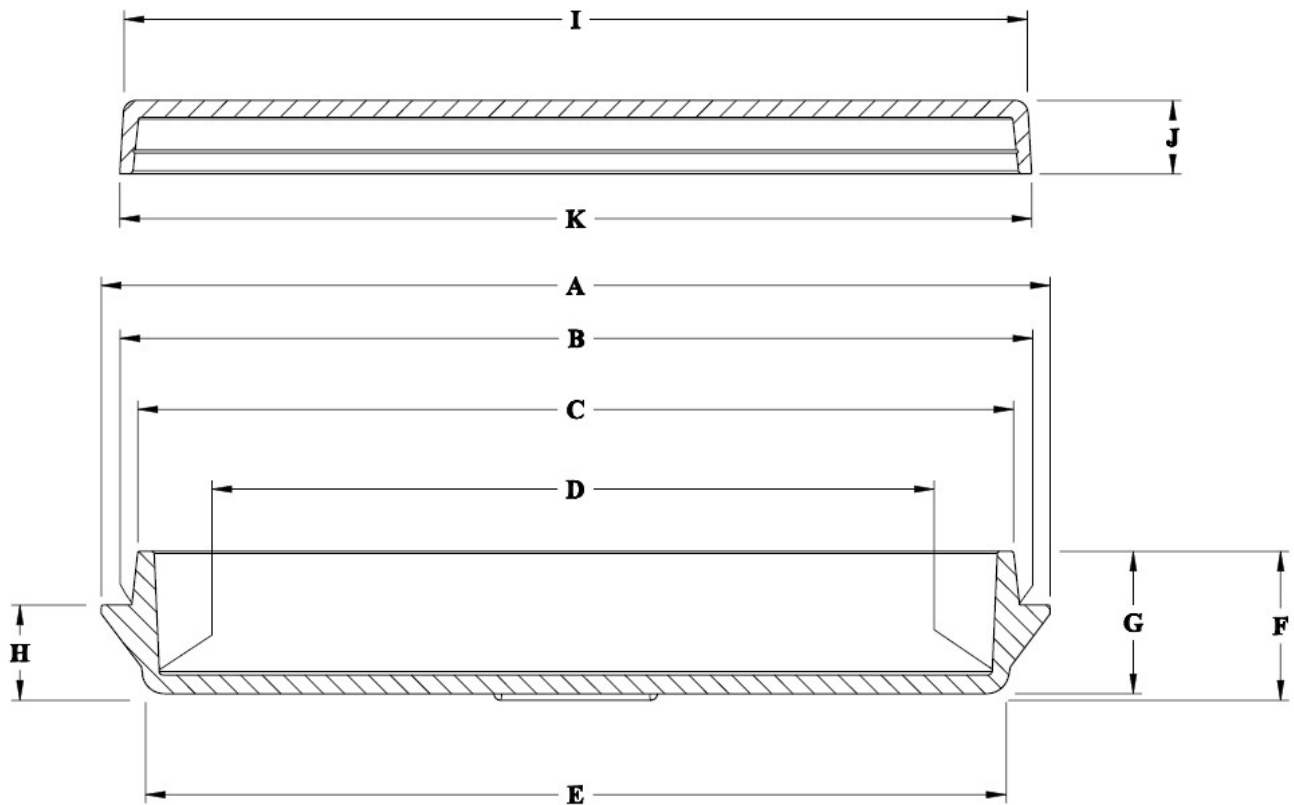
Related Catalog Numbers:

Cat No.
353655

Packout/Description
4 units/blister, 100 units/case

Surface
Untreated surface

Growth Area: 19 cm²



Item	CAT. NO.	DESCRIPTION	DISH AND LID DIMENSIONS mm (inches)										
			A	B	C	D	E	F	G	H	I	J	K
1	353655	50 X 9 mm Low Wall IVF Dish, untreated 4/blister, 100/case	55.05 (2.167)	51.51 (2.028)	50.82 (2.001)	48.32 (1.903)	50.27 (1.979)	8.64 (0.340)	8.26 (0.325)	5.52 (0.217)	52.50 (2.067)	4.26 (0.168)	52.92 (2.083)

Note: Dimensions are determined by measurement, engineering diagrams and/or mathematical derivation. They are for reference use only and considered nominal unless otherwise indicated.

Warranty/Disclaimer: Unless otherwise specified, all products are for research use only. Not intended for use in diagnostic or therapeutic procedures.

For a listing of trademarks, visit www.corning.com/clstrademarks. All other trademarks are the property of their respective owners. © 2013-2018 Corning Incorporated. All rights reserved.