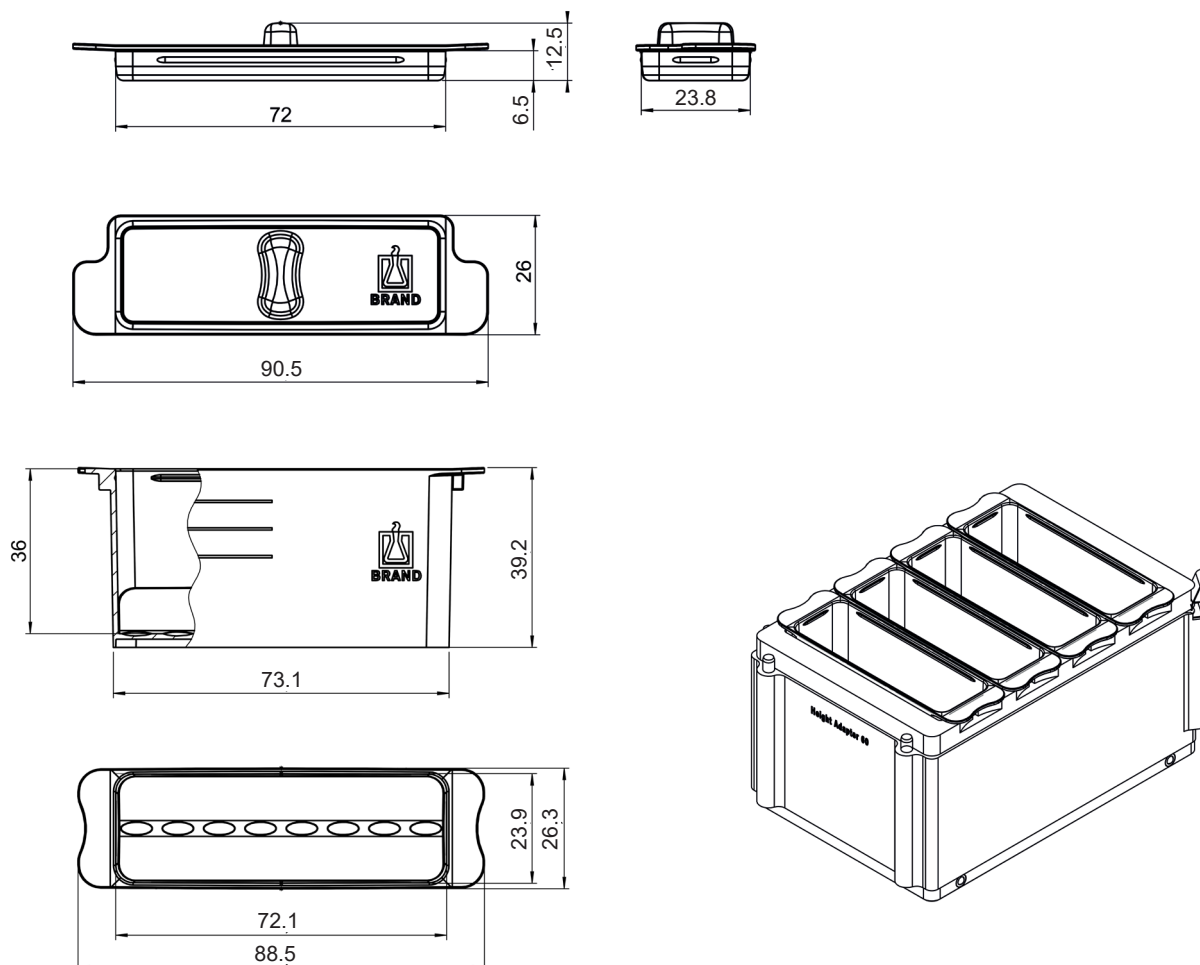


# Reagent reservoirs with cover

## 701460/701462


 PRODUCT  
INFORMATION


Dimensions in mm

<b>Working volume</b>	40 ml
<b>Bottom style</b>	V-bottom
<b>Material</b>	PP
<b>Color</b>	transparent
<b>Weight</b>	approx. 6 g without cover, approx. 8 g with cover

Subject to technical modification without notice. Errors excepted.