

Thermo Scientific Matrix 2D Barcoded ScrewTop Storage Tubes are the perfect solution for sample storage in virtually any laboratory condition, including the vapor phase of liquid nitrogen. Permanent 2D barcodes enable safe, secure tracking of all precious samples while Thermo Scientific 2D barcode readers allow simple integration into an existing database or tracking system.

Thermo Scientific Matrix 2D Barcoded ScrewTop Storage Tubes



Secure Tracking. A permanently-bonded, unique 2D barcode is laser-etched onto the base of every Thermo Scientific Matrix 2D Barcoded ScrewTop Storage Tube to securely identify and track samples. A Thermo Scientific 2D barcode reader instantly decodes each tube's 2D barcode, scans the tube into any application or database, or integrates via several export options. Once sample data is stored, just scan the tube to access sample information and identify the contents.

Superior Storage Format. Matrix[®] 2D Barcoded ScrewTop[®] storage tubes are available in specially-designed, stackable, microplate-footprint Latch Racks to save precious space in storage and on the bench top. The Latch Rack design enables multichannel pipette access. When open, the lid never touches the bench top to prevent contamination.

Flexibility. The Thermo Scientific Matrix ScrewTop Removal Tool decaps/decaps tubes individually to enable one-handed pipetting. The Thermo Scientific ScrewTop Cap Tray can be used to cap/decap several tubes at once with automated capping systems or to fill tubes on an automated liquid handling platform, then cap an entire rack at once.

Stringent Quality Control. Every 2D barcoded storage tube is scanned to ensure readability. All barcodes are checked against our database of previously assigned codes to prevent duplicates. Every tube is leak tested to ensure sample integrity and security.

Knowledgeable Support. Our team has a strong reputation for supporting both equipment and consumables. Consult with us for recommendations to optimize sample storage processes.

Ordering Guide

Cat. No.	Description	Color	Qty	
4470	Caps, ScrewTop Tube	Colorless	500/case	Sterile
4470RED	Caps, ScrewTop Tube	Red	500/case	Sterile
4470YEL	Caps, ScrewTop Tube	Yellow	500/case	Sterile
4470BLU	Caps, ScrewTop Tube	Blue	500/case	Sterile
4470GRE	Caps, ScrewTop Tube	Green	500/case	Sterile
4470WHI	Caps, ScrewTop Tube	White	500/case	Sterile
4470PUR	Caps, ScrewTop Tube	Purple	500/case	Sterile
4906	Tray, ScrewTop Cap Tray, Empty		5 trays/case	Sterile
4477	Tray, ScrewTop Cap Tray	Colorless Caps	5 trays of 96 caps/case	Sterile
4477RED	Tray, ScrewTop Cap Tray	Red Caps	5 trays of 96 caps/case	Sterile
4477YEL	Tray, ScrewTop Cap Tray	Yellow Caps	5 trays of 96 caps/case	Sterile
4477BLU	Tray, ScrewTop Cap Tray	Blue Caps	5 trays of 96 caps/case	Sterile
4477GRE	Tray, ScrewTop Cap Tray	Green Caps	5 trays of 96 caps/case	Sterile
4477WHI	Tray, ScrewTop Cap Tray	White Caps	5 trays of 96 caps/case	Sterile
4477PUR	Tray, ScrewTop Cap Tray	Purple Caps	5 trays of 96 caps/case	Sterile
3740	Tube, ScrewTop, 1.0 mL 2D, V-Bottom	Colorless Caps	Bulk, 480/case	Sterile
3740RED	Tube, ScrewTop, 1.0 mL 2D, V-Bottom	Red Caps	Bulk, 480/case	Sterile
3740YEL	Tube, ScrewTop, 1.0 mL 2D, V-Bottom	Yellow Caps	Bulk, 480/case	Sterile
3740BLU	Tube, ScrewTop, 1.0 mL 2D, V-Bottom	Blue Caps	Bulk, 480/case	Sterile
3740GRE	Tube, ScrewTop, 1.0 mL 2D, V-Bottom	Green Caps	Bulk, 480/case	Sterile
3740WHI	Tube, ScrewTop, 1.0 mL 2D, V-Bottom	White Caps	Bulk, 480/case	Sterile
3740PUR	Tube, ScrewTop, 1.0 mL 2D, V-Bottom	Purple Caps	Bulk, 480/case	Sterile
3741	Tube, ScrewTop, 1.0 mL 2D, V-Bottom	Colorless Caps	5 racks of 96/case	Sterile
3741RED	Tube, ScrewTop, 1.0 mL 2D, V-Bottom	Red Caps	5 racks of 96/case	Sterile
3741YEL	Tube, ScrewTop, 1.0 mL 2D, V-Bottom	Yellow Caps	5 racks of 96/case	Sterile
3741BLU	Tube, ScrewTop, 1.0 mL 2D, V-Bottom	Blue Caps	5 racks of 96/case	Sterile
3741GRE	Tube, ScrewTop, 1.0 mL 2D, V-Bottom	Green Caps	5 racks of 96/case	Sterile
3741WHI	Tube, ScrewTop, 1.0 mL 2D, V-Bottom	White Caps	5 racks of 96/case	Sterile
3741PUR	Tube, ScrewTop, 1.0 mL 2D, V-Bottom	Purple Caps	5 racks of 96/case	Sterile
3742	Tube, ScrewTop, 1.0 mL 2D, V-Bottom, No Caps		5 racks of 96/case	Sterile
3743	Tube, ScrewTop, 500 µl 2D, V-Bottom	Colorless Caps	Bulk, 480/case	Sterile
3743RED	Tube, ScrewTop, 500 µl 2D, V-Bottom	Red Caps	Bulk, 480/case	Sterile
3743YEL	Tube, ScrewTop, 500 µl 2D, V-Bottom	Yellow Caps	Bulk, 480/case	Sterile
3743BLU	Tube, ScrewTop, 500 µl 2D, V-Bottom	Blue Caps	Bulk, 480/case	Sterile
3743GRE	Tube, ScrewTop, 500 µl 2D, V-Bottom	Green Caps	Bulk, 480/case	Sterile
3743WHI	Tube, ScrewTop, 500 µl 2D, V-Bottom	White Caps	Bulk, 480/case	Sterile
3743PUR	Tube, ScrewTop, 500 µl 2D, V-Bottom	Purple Caps	Bulk, 480/case	Sterile
3744	Tube, ScrewTop, 500 µl 2D, V-Bottom	Colorless Caps	5 racks of 96/case	Sterile
3744RED	Tube, ScrewTop, 500 µl 2D, V-Bottom	Red Caps	5 racks of 96/case	Sterile
3744YEL	Tube, ScrewTop, 500 µl 2D, V-Bottom	Yellow Caps	5 racks of 96/case	Sterile
3744BLU	Tube, ScrewTop, 500 µl 2D, V-Bottom	Blue Caps	5 racks of 96/case	Sterile
3744GRE	Tube, ScrewTop, 500 µl 2D, V-Bottom	Green Caps	5 racks of 96/case	Sterile
3744WHI	Tube, ScrewTop, 500 µl 2D, V-Bottom	White Caps	5 racks of 96/case	Sterile
3744PUR	Tube, ScrewTop, 500 µl 2D, V-Bottom	Purple Caps	5 racks of 96/case	Sterile
3745	Tube, ScrewTop, 500uL 2D, V-Bottom, No Caps		5 racks of 96/case	Sterile



Thermo Scientific Matrix 2D Barcoded ScrewTop Storage Tubes

Tube Material	Virgin Class VI Medical Grade Polypropylene
Rack Material	Virgin Class VI Medical Grade Polycarbonate with polypropylene latches
Cap Material	Virgin Class VI Medical Grade Polypropylene with Virgin Class VI Medical Grade Silicone O-ring
Autoclavable	Yes, with cap loosened
2D Code Choices	Non-proprietary, 12x12 Data-matrix with ECC200 Built-in Error Correction
Tube/Cap Temp Range	-180 °C to 121 °C; Autoclaving and boiling to vapor phase liquid nitrogen storage
ScrewTop Cap Tray Material	Acrylonitrile Butadiene Styrene (ABS)

* All tubes and trays are supplied free from DNA, RNase, DNase, endotoxins and cytotoxins. Tubes should be tested under individual laboratory conditions

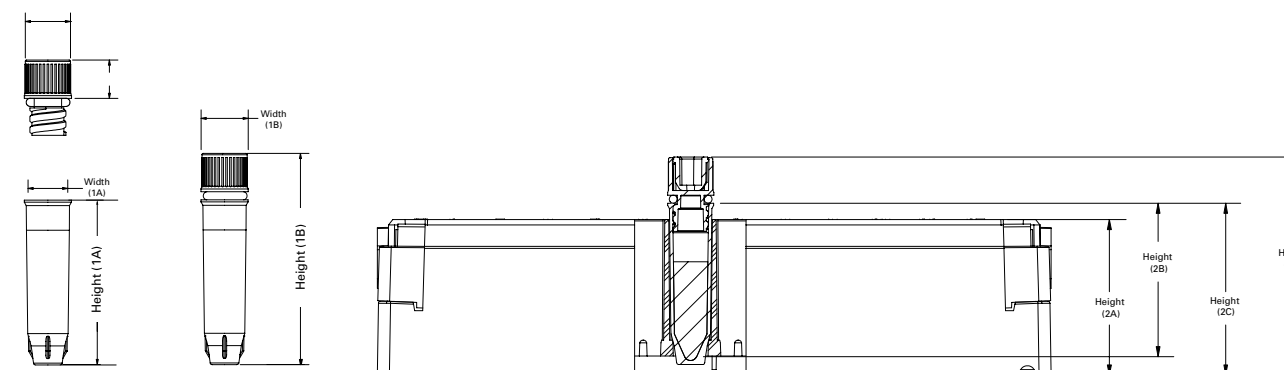
Dimensions

Description	500 µl ScrewTop Storage Tubes	1.0 ml ScrewTop Storage Tubes
Item No	3743, 3744, 3745	3740, 3741, 3742
Figure 1A: Tube Side View	Width (1A) 7.40±0.10 [0.290±0.002] Height (1A) 30.60±0.20 [1.204±0.007]	7.40±0.10 [0.290±0.002] 44.00±0.10 [1.732±0.003]
Figure 1B: Tube Side View w/ ScrewTop	Width (1B) 8.70±0.10 [0.344±0.003] Height (1B) 39.20 [1.543]	8.70±0.10 [0.344±0.003] 52.60 [2.071]
Figure 2: Rack Side View	Height (2A) 29.50±0.10 [1.160±0.005] Height (2B) 29.10±0.10 [1.145±0.005] Height (2C) 32.60±0.30 [1.282±0.012] Height (2D) 41.30±0.40 [1.626±0.017]	38.10±0.10 [1.500±0.005] 42.50±0.20 [1.673±0.008] 46.00±0.20 [1.809±0.008] 54.60±0.30 [2.149±0.110]
Figure 3: Rack Top View	Length 127.75±0.13 [5.029±0.005] Width 85.46±0.13 [3.364±0.005]	127.75±0.13 [5.029±0.005] 85.46±0.13 [3.364±0.005]
Figure 4: Stacked Rack View	Single Height (4A) 44.32±0.25 [1.745±0.010] Incremental Height (4B) 43.31±0.25 [1.705±0.010] Stacked Height (4C) 87.63±0.51 [3.450±0.020]	58.42±0.25 [2.300±0.010] 57.30±0.25 [2.220±0.010] 114.81±0.51 [4.520±0.020]

Description	ScrewTop Cap Tray
Item No.	4906, 4477
Figure 1: Tray Top View	Length 127.75±0.25 [5.03±0.010] Width 85.58±0.25 [3.37±0.010]
Figure 2: Stacked Tray View	Single Height (2A) 19.81±0.13 [0.78±0.005] Incremental Height (2B) 18.29±0.25 [0.72±0.010] Stacked Height (2C) 38.10±0.25 [1.50±0.010]

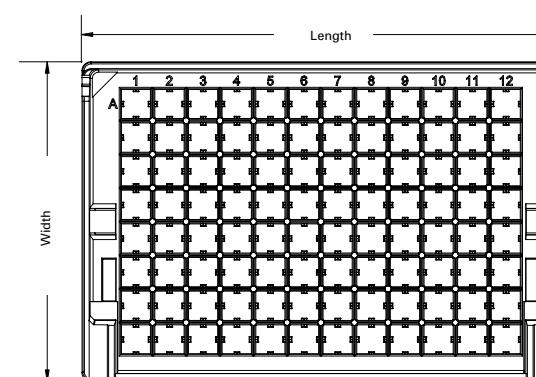


Available in seven colors (including colorless) so you can customize your experiments

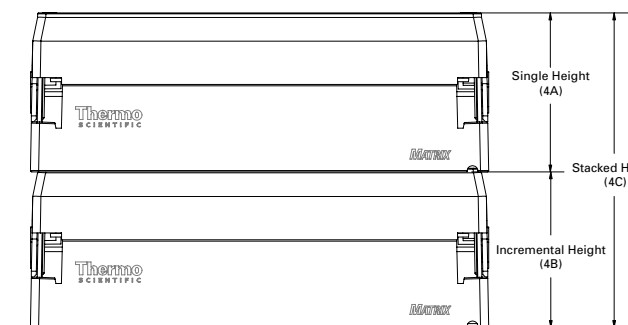


▲ Figure 1: Tube Side View

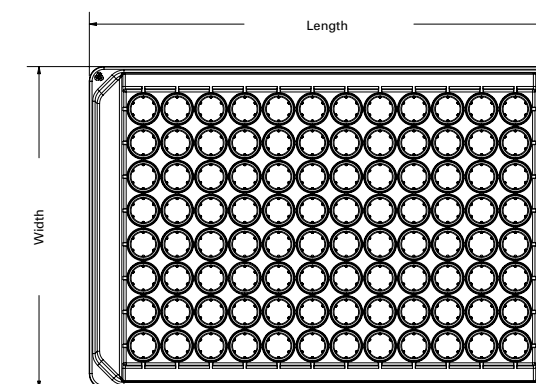
▲ Figure 2: Rack Side View



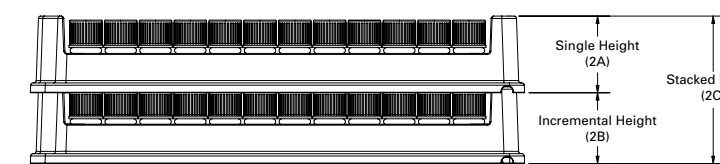
▲ Figure 3: Rack Top View



▲ Figure 4: Stacked Rack View



▲ Figure 1: Tray Top View



▲ Figure 2: Stacked Tray View

See back side for an ordering guide