

USER GUIDE

novex[®]
by *life* technologies™

life

XCell *SureLock*[®] Mini-Cell

For leak-free electrophoresis of mini-gels

Catalog Numbers E10001, E10020, E10002

Revision date 15 February 2012

Publication Part number IM-9003

MAN0000739

For Research Use Only. Not intended for any animal or human
therapeutic or diagnostic use.

life
technologies™

Contents

Kit Contents	iv
Introduction	1
Product Specifications	1
Description of Parts	3
Methods	5
Assembling the XCell <i>SureLock</i> [®] Mini-Cell	5
Gel Electrophoresis Protocol	9
Disassembling the XCell <i>SureLock</i> [®] Mini-Cell.....	11
Troubleshooting.....	13
Appendix	14
Safety Information.....	14
Sicherheits-Anweisungen	16
Instructions de securite.....	17
Buffers and Running Conditions	18
Related Products.....	20
Technical Support.....	22
Purchaser Notification.....	23

Kit Contents

Types of Kits This manual is supplied with the following kits:

Kit	Cat. no.
XCell <i>SureLock</i> [®] Mini-Cell	EI0001
<i>SureLock</i> Retrofit Kit for XCell II [™] Mini-Cell	EI0020
XCell <i>SureLock</i> [®] Mini-Cell with XCell II [™] Blot Module Kit	EI0002

Kit Components The components included with the different kits are listed below. See page 3 for more details.

Kit	Components
XCell <i>SureLock</i> [®] Mini-Cell	Gel Tension Wedge (1 each) Buffer Dam (1 each) Lower Buffer Chamber (1 each) Buffer Core (1 each) Mini-Cell Lid (1 each) Gel Knife (1 each)
<i>SureLock</i> Retrofit Kit for XCell II [™] Mini-Cell	Gel Tension Wedge (1 each) Buffer Dam (1 each) <i>SureLock</i> Mini-Cell Lid (1 each)
XCell <i>SureLock</i> [®] Mini-Cell with XCell II [™] Blot Module Kit	EI0001 XCell II [™] Blot Module

Safety Information See page 14 for safety information and explanation of symbols used on the instrument.

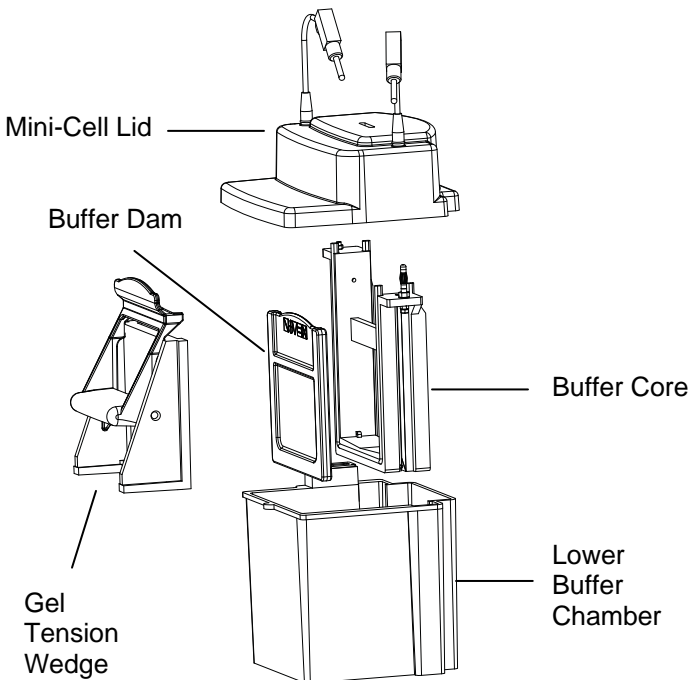
Product Use **For research use only.** Not intended for any animal or human therapeutic or diagnostic use.

Introduction

Product Specifications

Product Description

The XCell *SureLock*® Mini-Cell's unique design allows you to run mini-gels quickly, easily, and leak-free without any clamps or grease. The set-up time is only 30 seconds; just drop the Buffer Core and the Gel Tension Wedge into the Lower Buffer Chamber, insert the gels, and pull the Gel Tension Wedge forward. The perfect no-leak seal results in no mess and consistent performance. Tough polycarbonate construction of the unit boosts durability. Retractable plugs, recessed jacks, and a specially designed lid enhance user safety. You can transfer with the optional XCell II™ Blot Module, using the same Lower Buffer Chamber.



Continued on next page

Product Specifications, continued

XCell SureLock® Mini-Cell Specifications

Dimensions:	11 × 12 × 16 cm
Upper Buffer Chamber Capacity:	200 mL
Lower Buffer Chamber Capacity:	600 mL
Material:	Polycarbonate
Electrode Wire:	Platinum (0.010" diameter)
Electrical Limits:	1,500 VDC or 75 Watts
Temperature Limit:	70°C

The XCell SureLock® Mini-Cell is impervious to alcohol, but not compatible with chlorinated hydrocarbons (e.g., chloroform), aromatic hydrocarbons (e.g., toluene, benzene) or acetone.

Gel Specifications

Gel Cassette:	10 cm × 10 cm
Thickness:	1.0 mm or 1.5 mm
Gel Size:	8 cm × 8 cm
Combs:	1 well, 2D well, 5 well, 9 well, 10 well, 15 well, and 17 well

Sample Well Capacity

The maximum recommended sample volume/well for different Novex® mini-gels is listed below. For additional details on loading volumes and maximum protein load, refer to the **Novex® Pre-Cast Gel Electrophoresis Guide** or the **NuPAGE® Technical Guide** (available at www.lifetechnologies.com).

Gel Thickness	1 well	2D well	5 well	9 well	10 well	15 well	17 well
1.0 mm	700 µL	400 µL	60 µL	28 µL	25 µL	15 µL	15 µL
1.5 mm	N/A	600 µL	N/A	N/A	37 µL	25 µL	25 µL

Description of Parts

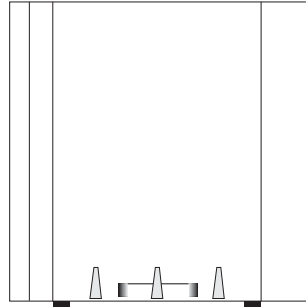
Introduction

The various parts included with the XCell SureLock® Mini-Cell are described below. See page 20 for ordering information.

Lower Buffer Chamber

Cat no. EI0013

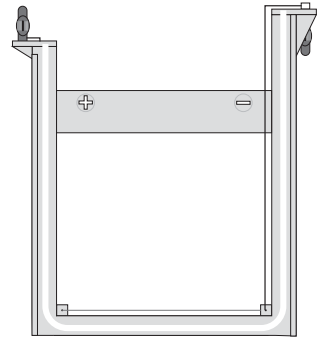
The Lower Buffer Chamber has a capacity of approximately 800 mL of buffer and is used as a heat sink during the electrophoresis of proteins.



Buffer Core

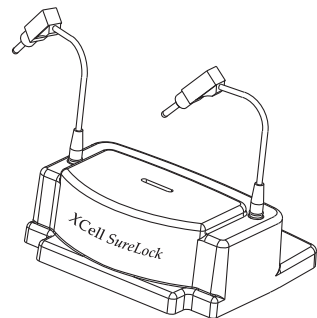
Cat no. EI9014

Buffer Core contains platinum electrodes, gold terminals, and silicone gaskets.



Cell Safety Lid with Cables

Cat no. EI0010



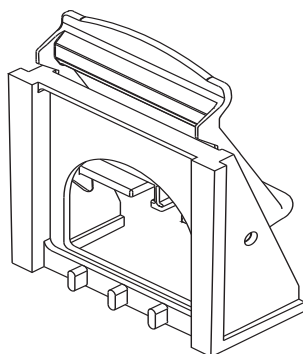
Continued on next page

Description of Parts, continued

Gel Tension Wedge

Cat no. EI0011

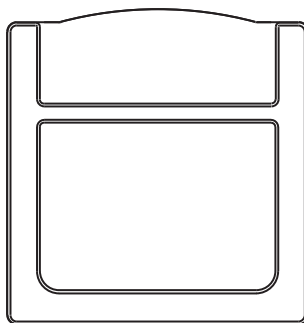
The positive locking action of the Gel Tension Wedge ensures trouble-free, leak-free electrophoresis of protein gels. Push the lever on the Gel Tension Wedge forward into a locked position to generate an even horizontal force which seals the gel cassette/Buffer Core assembly firmly into position in the lower buffer chamber.



Buffer Dam

Cat no. EI0012

Use the Buffer Dam when you need to run only one Novex[®] gel.



Gel Knife

Cat no. EI9010



Methods

Assembling the XCell SureLock[®] Mini-Cell

Removing Gel Cassette

1. Cut open the gel cassette pouch with scissors and remove cassette.
2. Drain away the gel packaging buffer.
3. Remove the gel cassette from the pouch and rinse with deionized water.

Note: Always handle the cassette by its edges only.



Always wear protective clothing when performing laboratory experiments.

To avoid contamination from possible residual acrylamide, wear protective gloves when loading and unloading the XCell SureLock[®] Mini-Cell and when preparing, staining / destaining, and drying gels.

Continued on next page

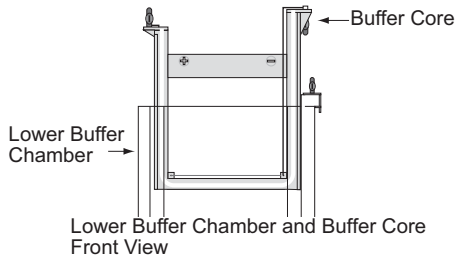
Assembling the XCell SureLock[®] Mini-Cell, continued

Procedure

1. Peel off the tape covering the slot on the back of the gel cassette.
2. Pull the comb out of the cassette in one fluid motion to expose the gel loading wells.
3. Use a pipette to gently wash the cassette wells with 1X running buffer. Invert the gel and shake to remove buffer. Repeat twice. Fill the sample wells with running buffer.

Note: Be sure to displace all air bubbles from the cassette wells as they will affect sample running.

4. Lower the Buffer Core into the Lower Buffer Chamber so that the negative electrode fits into the opening in the gold plate on the Lower Buffer Chamber as shown in the figure.

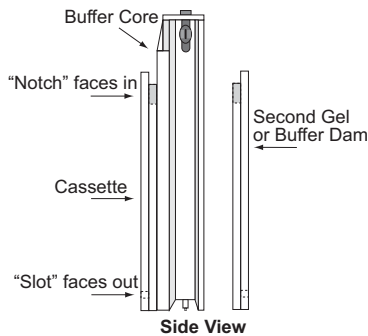


Continued on next page

Assembling the XCell SureLock[®] Mini-Cell, continued

Procedure, continued

5. Insert the Gel Tension Wedge into the XCell SureLock[®] behind the buffer core. Make sure the Gel Tension Wedge is in its unlocked position (see next page), allowing the wedge to slip easily into the XCell SureLock[®] unit. The Gel Tension Wedge should rest on the bottom of the Lower Buffer Chamber.
6. Insert gel cassettes into the lower buffer chamber. Place one cassette behind the core and one cassette in front of the core. For each cassette, the shorter "well" side of the cassette faces in towards the buffer core. The slot on the back of the cassette must face out towards the lower buffer chamber (see figure below).



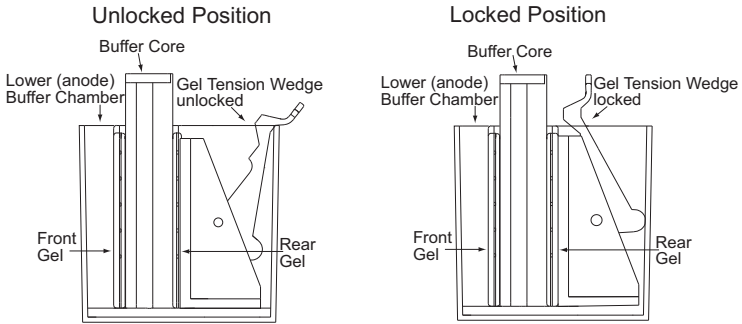
7. If you are running only one gel, replace the rear gel cassette with the Buffer Dam.

Continued on next page

Assembling the XCell SureLock[®] Mini-Cell, continued

Procedure, continued

8. Pull forward on the Gel Tension Lever in a direction towards the front of the XCell SureLock[®] unit until lever comes to a firm stop and the gels or gel/buffer dam appear snug against the buffer core (see figure below).



When fully assembled, cassettes and Buffer Core are in place and Gel Tension Wedge is locked into position. Review the information provided on page 13 to troubleshoot your experiments.

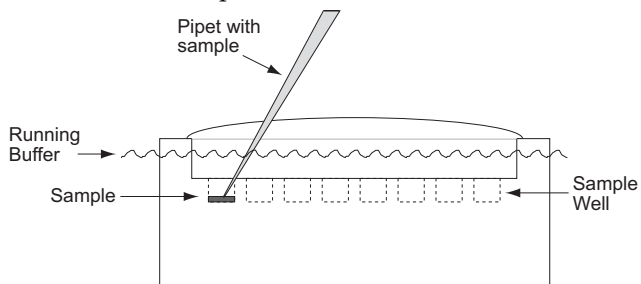
Gel Electrophoresis Protocol

Sample Loading

1. Prepare your samples using the appropriate sample buffer at the desired protein concentration.
2. Prepare the appropriate running buffer (see page 18).
3. The Upper Buffer Chamber (cathode) is the void formed between the two gel cassettes (or one cassette and the buffer dam) on each side of the buffer core.
4. Fill the Upper Buffer Chamber with 200 mL of the appropriate running buffer (see page 18). Use enough running buffer to completely cover the sample wells.
5. Ensure that the Upper Buffer Chamber is not leaking. If the level of running buffer drops, the electrophoresis core and cassettes are not properly seated. Repeat steps 6 and 7 on page 7.
6. Use the pipette equipped with a round sample loading tip to underlay the samples into the gel wells (see figure below). Lower the tip to the bottom of the sample well and slowly pipet sample into well without contaminating another well with the sample.

If you have difficulty distinguishing the sample wells when loading the sample, see **Troubleshooting** (page 13).

Note: To obtain the best results and promote a uniform running of the stacking front, load sample buffer in all the wells, whether or not they contain samples.



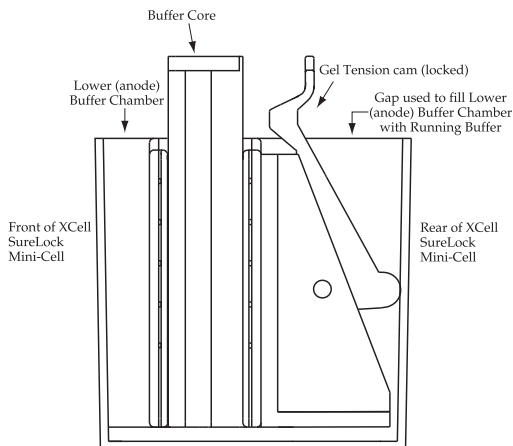
Continued on next page

Gel Electrophoresis Protocol, continued

Procedure

1. Fill the Lower Buffer Chamber (anode) by pouring 600 mL of running buffer through the gap between the Gel Tension Wedge and the back of the Lower Buffer Chamber as shown in the figure below.

Note: If you are using Tricine and NuPAGE® Gels, we recommend that you fill the lower buffer chamber completely (600 mL) as this will help dissipate heat during the run. For other gel types, a filled lower buffer chamber is recommended, but not required. The XCell SureLock® Mini-Cell will function as long as the lower buffer chamber is filled enough to cover the slot at the bottom of the cassette.



2. Align the lid on the Buffer Core. The lid can only be firmly seated if the (-) electrode is aligned over the banana plug on the right. If the lid is not properly seated, no power will go through the mini-cell.
 3. With the power **off**, connect the electrode cords to power supply {red to (+) jack, black to (-) jack}.
Caution: Power must be off before connecting the XCell SureLock® Mini-Cell to the power supply.
 4. Turn on the power. See page 14 for running conditions for different gel types.
-

Disassembling the XCell SureLock[®] Mini-Cell

Procedure

1. At the end of the run, turn off the power and disconnect the cables from the power supply.
2. Remove the lid and unlock the Gel Tension Lever. There is no need to remove the Gel Tension Wedge.
3. Remove the gel cassettes from the mini-cell. Handle gel cassettes by their edges only.
4. Lay the gel cassettes (well side up) on a flat surface, such as the benchtop. Allow one edge to hang ~1 cm over the side of the benchtop.
5. Carefully insert the Gel Knife's beveled edge into the narrow gap between the two plates of the cassette.

Note: Do not push the knife forcefully between the cassette plates or you may cut into the gel.

6. Push up and down gently on the knife's handle to separate the plates. You will hear a cracking sound which means you have broken the bonds which hold the plates together. Repeat until you have broken the bonds on one side.
7. Rotate the cassette and repeat Steps 5–6 of this procedure until the two plates are completely separated.
8. Upon opening the cassette, the gel may adhere to either side. Remove and discard the plate without the gel, allowing the gel to remain on the other plate.
9. If blotting, proceed to the Western Transfer Protocol without removing the gel from the plate (refer to the XCell II[™] Blot Module manual, IM-9051 for more details).

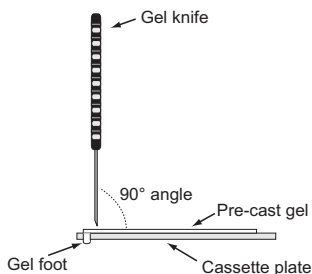
Note: Trying to remove the gel at this point may result in the gel tearing. Proceed to Step 11.

Continued on next page

Disassembling the XCell *SureLock*[®] Mini-Cell, continued

Procedure, continued

10. If staining, remove the gel from the cassette plate by one of the following methods:
 - If the gel remains on the shorter (notched) plate, use the sharp edge of the Gel Knife to remove the bottom foot of the gel. Hold the Gel Knife at a 90° angle to the gel and the slotted cassette plate. Push straight down on the knife to cut the gel. Repeat the motion across the gel to cut the entire foot. Hold the cassette plate and gel over a container with the gel facing downward. Use the knife to carefully loosen one lower corner of the gel and allow the gel to peel away from the plate.



- If the gel remains on the longer (slotted) plate, hold the cassette plate and gel over a container with the gel facing downward. Gently push the gel knife through the slot in the cassette, until the gel peels away from the plate. Cut the foot off the gel after fixing and staining, but before drying.
11. Immediately fix, stain or transfer the gel as desired.

Maintenance

Wash the XCell *SureLock*[®] Mini-Cell with a mild detergent and rinse with deionized water after each use.

Troubleshooting

Observation	Cause	Solution
Run taking longer than usual	Buffers are too dilute	Check buffer recipe; remake if necessary.
	Upper buffer chamber is leaking	Make sure the buffer core is firmly seated, the gaskets are in place and the gel tension lever is locked.
	Voltage is set too low	Set correct voltage.
Current reading on power supply is zero or very low	Tape left on the bottom of the cassette	Remove tape from bottom of cassette.
	Connection to power supply not complete	Check all connections with a voltmeter for conductance.
	Insufficient buffer level	Make sure the upper buffer (cathode) is covering the wells of the gel. Be sure there is sufficient buffer in the Lower Buffer Chamber to cover the slot at the bottom of the gel.
Run is faster than normal with poor resolution	Buffers are too concentrated or incorrect	Check buffer recipe; dilute or re-make if necessary.
	Voltage, current, or wattage is set at a higher limit	Decrease power conditions to recommended running conditions (see page 14).
Cannot see the sample wells to load sample	There is little contrast between the sample well and the rest of the gel	Mark cassette at the bottom of the wells with a marker pen prior to assembling the Upper Buffer Chamber. Illuminate the bench area with a light source placed directly behind the XCell SureLock® unit.

Appendix

Safety Information

Safety

During operation, the XCell *SureLock*[®] Mini-Cell must be used with an external DC power supply designed specifically for electrophoresis applications. This power supply must be isolated from ground so that the DC output is floating. The PowerEase[®] 500 Programmable Power Supply (page 20) meets these requirements. The maximum electrical operating parameters for the XCell *SureLock*[®] Mini-Cell are:

Maximum Voltage Limit: 1500 VDC*

Maximum Power Limit: 75 Watts*

Maximum Operating Temperature Limit: 70°C

The XCell *SureLock*[®] Mini-Cell's lid is designed such that if the lid is removed, the electrical connection to the unit will be broken. **Do not attempt to use the cell without the cell lid. Do not use lids from other mini-cells.**

The XCell *SureLock*[®] Mini-Cell is designed to meet EN61010-1 Safety Standards. This product is safe to use when operated in accordance with this instruction manual. If this unit is used or modified in a manner not specified in this manual then protection afforded by the unit will be impaired. Alteration of this unit will:

- Void the warranty.
- Void the EN61010-1 safety standard certification.
- Create a potential safety hazard.

Life Technologies is not responsible for any injury or damage caused by use of this unit when operated for purposes which it is not intended. All repairs and service should be performed by Life Technologies.

The XCell *SureLock*[®] Mini-Cell is classified as Class II of IEC 536 for protection against electrical shock.

***The XCell *SureLock*[®] is rated at 1500 VDC, 75 Watts, but for running protein gels, the maximum voltage/wattage recommended is 500 VDC/50 Watts.**

Continued on next page

Safety Information, continued

Symbols on Instrument

The following table describes the symbols displayed on the instrument.

Informational Symbols

The symbols used on the XCell *SureLock*[®] Mini-Cell are explained below:



Used on the XCell *SureLock*[®] Mini-Cell to indicate an area where a potential shock hazard may exist.



Used on the XCell *SureLock*[®] Mini-Cell to indicate a warning. The operator's manual should be consulted to avoid possible personal injury or instrument damage.



WEEE (Waste Electrical and Electronic Equipment) symbol indicates that this product should not be disposed of in unsorted municipal waste. Follow local municipal waste ordinances for proper disposal provisions to reduce the environmental impact of WEEE.

Important

The XCell *SureLock*[®] Mini-Cell is manufactured in the USA from domestic and International components.

To ensure safe, reliable operation, always operate the XCell *SureLock*[®] Mini-Cell according to instructions provided in this manual. Wear protective gloves and safety glasses when working in a laboratory environment.

Life Technologies products are intended for in vitro use only.

Life Technologies is not responsible for injuries or damages caused by improper use.

Sicherheits-Anweisungen

Sicherheits-Anweisungen

Die *SureLock*[®] Elektrophorese-Zelle muß mit einer geerdeten Gleichstrom-Spannungsquelle betrieben werden, die speziell für die Elektrophorese entwickelt wurde. Um eine Gefährdung des Benutzers auszuschließen, sollten folgende Laufbedingungen eingehalten werden:

Maximale Spannung: 1500 Volt

Maximale Leistung: 75 Watt

Maximale Temperatur: 70°C

Beim Entfernen des Kammerdeckels der *SureLock*[®] Elektrophorese-Zelle wird der Stromfluß unterbrochen. Die Benutzung der Zelle ohne Deckel ist verboten.

Die *SureLock*[®] Elektrophorese-Zelle entspricht den Sicherheits-Richtlinien EN 61010-1. Es besteht keinerlei Gefährdung für den Benutzer, wenn die Richtlinien der Gebrauchsanweisung eingehalten werden. Wird die Elektrophorese-Zelle in einer Art und Weise benutzt bzw. modifiziert, die nicht in der Gebrauchsanleitung beschrieben ist, werden die Sicherheitvorkehrungen zum Schutz des Betreibers beeinträchtigt. Bei unsachgemäßer Handhabung entfallen alle Garantieansprüche und Sicherheitszulassungen (EN61010-1).

Life Technologies haftet nicht für Verletzungen oder Schäden jeglicher Art, wenn die Elektrophorese-Zelle für Anwendungen eingesetzt wird, für die die Zelle nicht entwickelt wurde. Alle Reparaturen und Wartungen müssen von Life Technologies oder einem von Life Technologies autorisierten Händler vorgenommen werden.

Das Gehäuse der *SureLock*[®] Elektrophorese-Zelle besteht aus Kunststoff und enthält keine leitenden Teile. Die QuickPoint[™] Elektrophorese-Zelle ist gegen Stromschlag nach der IEC 536 – Norm in Klasse II eingestuft.

Symbolerklärung



Weist auf eine Zone hin, wo Gefährdung durch Stromschlag besteht.



Lesen Sie die Bedienungsanleitung, um Verletzungen oder Beschädigung des Gerätes zu vermeiden.



WEEE (Waste Electrical and Electronic Equipment)

Instructions de securite

Instructions de securite

La Cellule d'Electrophorèse *SureLock*[®] doit être uniquement une utilisation avec une alimentation en courant continu DC externe et spécialement conçue pour en électrophorèse. Cette alimentation doit être avec séparation galvanique de façon que la sortie DC du secondaire ai un potentiel électrique flottant. Le domaine d'utilisation de la Celleule d'Electrophorèse *SureLock*[®] est limité par les paramètres de fontctionnement suivants:

Tension maximum: 1,500 V continu

Puissance maximum: 75 W

Température maximum: 70°C

La Cellule d'Electrophorèse *SureLock*[®] est conçue de façon á ce que lorsque le couvercle de la cuve est ouvert, la connection électrique avec l'unité est interrompue. Il ne faut en aucun cas essayer de faire fonctionner la cuve sans le couvercle.

La Cellule d'Electrophorèse *SureLock*[®] satisfait aux normes de sécurité EN 61010-1. La sécurité est assurée dans tous les cas d'une utilisation conforme au manuel d'utilisation. Dans le cas ou la cellule serait modifiée ou utilisée de manière non spécifiée dans le manuel d'utilisation, la sécurité de l'utilisateur pourrait être remise en cause. En cas d'utilisation non conforme toutes les garanties ainsi que les certifications de conformité aux normes de sécurité sont abrogés.

La responsabilité de Life Technologies ne peut être mise en cause en cas d' accident et dommages causés par une utilisation non conforme de la Cellue d'Electrophorèse. Toute intervention de service ou de réparation doit être uniquement effectuée par Life Technologies ou par un agent agréée de Life Technologies.

La Cellule d'Electrophorèse *SureLock*[®] est classifié par rapport á la norme d'isolation électrique IEC 536 en classe II.

Signification des pictogrammes



Sur le Cellule d'Electrophorèse XCell *SureLock*[®], signale les zones où un risque de choc électrique peut exister.



Sur le Cellule d'Electrophorèse XCell *SureLock*[®], signale un risque potentiel pour l'utilisateur ou pour l'équipement. Veuillez consulter le mode d'emploi.



WEEE (Waste Electrical and Electronic Equipment)

Buffers and Running Conditions

Introduction The buffers and running conditions for the different Novex® mini-gels using the XCell SureLock® Mini-Cell are listed below. For ordering information on buffers, see page 20.

Gel Type	Sample Buffer	Running Buffer	Power Settings*	Run Time
Tris-Glycine SDS-PAGE (denaturing, non-reducing)	Tris-Glycine SDS Sample Buffer (LC2676)	Tris-Glycine SDS Running Buffer (LC2675)	Voltage: 125 V Constant Expected Current: Start: 30–40 mA End: 8–12 mA	90 minutes
Tris-Glycine SDS-PAGE (denaturing, reducing)	Add NuPAGE® Sample Reducing Agent (NP0004)			
Tris-Glycine (Native)	Tris-Glycine Native Sample Buffer (LC2673)	Tris-Glycine Native Running Buffer (LC2672)	Voltage: 125V Constant Expected Current: Start: 6–12 mA End: 3–6 mA	1–12 hours
NuPAGE® Bis-Tris SDS-PAGE (denaturing, non-reducing)	NuPAGE® LDS Sample Buffer (NP0007)	NuPAGE® MES SDS Running Buffer (NP0002) or NuPAGE® MOPS SDS Running Buffer (NP0001)	Voltage: 200V Constant Expected Current: Start: 110–125 mA End: 70–80 mA	35–50 minutes
NuPAGE® Bis-Tris SDS-PAGE (denaturing, reducing)	Add NuPAGE® Sample Reducing Agent (NP0004) to sample buffer	Add NuPAGE® Antioxidant (NP0005) to running buffer		
NuPAGE® Tris-Acetate SDS-PAGE (denaturing)	NuPAGE® LDS Sample Buffer (NP0007)	NuPAGE® Tris-Acetate Running Buffer (LA0041)	Voltage: 150V Constant Expected Current: Start: 40–55 mA End: 25–40 mA	50 minutes
NuPAGE® Tris-Acetate SDS-PAGE (denaturing, reducing)	Add NuPAGE® Sample Reducing Agent (NP0004) to sample buffer	Add NuPAGE® Antioxidant (NP0005) to running buffer		

*Current readings are per gel

Continued on next page

Buffers and Running Conditions, continued

Gel Type	Sample Buffer	Running Buffer	Power Settings*	Run Time
Tricine SDS-PAGE (denaturing, non-reducing)	Tricine SDS Sample Buffer (LC1676)	Tricine SDS Running Buffer (LC1675)	Voltage: 125V Constant Expected Current: Start: 80 mA End: 40 mA	90 minutes
Zymogram	Tris-Glycine SDS Sample Buffer (LC2676)	Tris-Glycine SDS Running Buffer (LC2675)	Voltage: 125V Constant Expected Current: Start: 30-40 mA End: 8-12 mA	90 minutes
IEF pH 3-7	IEF pH 3-7 Sample Buffer (LC5371)	IEF pH 3-7 Cathode Buffer (LC5370) IEF Anode Buffer (LC5300)	Voltage: 100V 1 hour 200V 1 hour 500V 30 minutes Expected Current: Start: 5 mA End: 6 mA	2.5 hours
IEF pH 3-10	IEF pH 3-10 Sample Buffer (LC5311)	IEF pH 3-10 Cathode Buffer (LC5310) IEF Anode Buffer (LC5300)	Voltage: 100V 1 hour 200V 1 hour 500V 30 minutes Expected Current: Start: 5 mA End: 6 mA	2.5 hours
TBE	Hi-Density TBE Sample Buffer (LC6678)	TBE Running Buffer (LC6675)	Voltage: 200V Constant Expected Current: Start: 10-18 mA End: 4-6 mA	30-90 minutes
TBE-Urea	TBE-Urea Sample Buffer (LC6876) or Prep TBE-Urea Sample Buffer (LC6877)	TBE Running Buffer (LC6675)	Voltage: 180V Constant Expected Current: Start: 10-20 mA End: 6-14 mA	50-75 minutes
DNA Retardation	Hi-Density TBE Sample Buffer (LC6678)	TBE Running Buffer (LC6675) at 1/2 X concentration	Voltage: 100V Constant Expected Current: Start: 12-15 mA End: 6-15 mA	90 minutes

*Current readings are per gel

Related Products

Additional Products

Many of the components of the XCell *SureLock*[®] Mini-Cell, as well as additional reagents that may be used for electrophoresis of proteins are available separately from Life Technologies. Ordering information is provided below. For details, visit www.lifetechnologies.com or call Technical Support (page 22).

Apparatus	Quantity	Cat. no.
XCell <i>SureLock</i> [®] Mini-Cell	1 kit	EI0001
<i>SureLock</i> [®] Retrofit Kit for XCell II [™] Mini-Cell	1 kit	EI0020
XCell <i>SureLock</i> [®] Mini-Cell w/XCell II [™] Mini-Cell	1 kit	EI0002
XCell II [™] Blot Module	1 each	EI9051
PowerEase [®] 500 Power Supply	1 each	EI8600
Replacement Parts	Quantity	Cat. no.
Lower Buffer Chamber	1 each	EI0013
XCell <i>SureLock</i> [®] Wedge	1 each	EI0011
Gel Knife	1 each	EI9010
Buffer Core with Electrodes	1 each	EI9014
XCell <i>SureLock</i> [®] Lid	1 each	EI0010
Buffer Dam	1 each	EI0012
Buffer Core Replacement Wire	2 each	EI9022
Gaskets (2) for EI0001 and EI9051	2 each	EI9016
Repair Kit for Buffer Core (includes wire, wire insulation, post, nut washer)	1 Kit	EI9021
Pipette Tips for Gel Loading	Quantity	Cat. no.
Gel Loading Tips (Standard Round)	200/pk	LC1001
Flat Gel Loading Tips	200/pk	LC1002
Gel Loading Tips (Eppendorf Round)	200/pk	LC1010

Continued on next page

Related Products, continued

Pre-Mixed Buffers	Quantity	Cat. no.
NuPAGE® LDS Sample Buffer (4X)	10 mL	NP0007
NuPAGE® Sample Reducing Agent (10X)	250 µL	NP0004
	10 mL	NP0009
NuPAGE® Antioxidant	15 mL	NP0005
NuPAGE® MOPS SDS Running Buffer (20X)	500 mL	NP0001
NuPAGE® MES SDS Running Buffer (20X)	500 mL	NP0002
NuPAGE® Tris-Acetate SDS Running Buffer (20X)	500 mL	LA0041
NuPAGE® Transfer Buffer (20X)	125 mL	NP0006
Novex® Tris-Glycine SDS Running Buffer (10X)	500 mL	LC2675
Novex® Tris-Glycine SDS Sample Buffer (2X)	20 mL	LC2676
Novex® Tris-Glycine Native Running Buffer (10X)	500 mL	LC2672
Novex® Tris-Glycine Native Sample Buffer (2X)	20 mL	LC2673
Novex® Tris-Glycine Transfer Buffer (25X)	500 mL	LC3675
Novex® Tricine SDS Running Buffer (10X)	500 mL	LC1675
Novex® Tricine SDS Sample Buffer (2X)	20 mL	LC1676
Novex® IEF Cathode Buffer pH 3–10 (10X)	125 mL	LC5310
Novex® IEF Cathode Buffer pH 3–7 (10X)	125 mL	LC5370
Novex® IEF Anode Buffer(50X)	100 mL	LC5300
Novex® IEF Sample Buffer pH 3–10 (2X)	25 mL	LC5311
Novex® IEF Sample Buffer pH 3–7 (2X)	25 mL	LC5371
Novex® TBE Running Buffer (5X)	1 L	LC6675
Novex® Hi-Density TBE Sample Buffer (5X)	10 mL	LC6678
Novex® TBE-Urea Sample Buffer (2X)	10 mL	LC6876
Novex® Zymogram Renaturing Buffer (10X)	500 mL	LC2670
Novex® Zymogram Developing Buffer (10X)	500 mL	LC2671

Technical Support

Obtaining Support

For the latest services and support information for all locations, go to www.lifetechnologies.com/support.

At the website, you can:

- Access worldwide telephone and fax numbers to contact Technical Support and Sales facilities
 - Search through frequently asked questions (FAQs)
 - Submit a question directly to Technical Support (techsupport@lifetech.com)
 - Search for user documents, Safety Data Sheets (SDSs), vector maps and sequences, application notes, formulations, handbooks, certificates of analysis, citations, and other product support documents
 - Obtain information about customer training
 - Download software updates and patches
-

Safety Data Sheets (SDS)

Safety Data Sheets (SDSs) are available at www.lifetechnologies.com/support.

Certificate of Analysis

The Certificate of Analysis provides detailed quality control and product qualification information for each product. Certificates of Analysis are available on our website. Go to www.lifetechnologies.com/support and search for the Certificate of Analysis by product lot number, which is printed on the box.

Limited Product Warranty

Life Technologies Corporation and/or its affiliate(s) warrant their products as set forth in the Life Technologies' General Terms and Conditions of Sale found on Life Technologies' website at www.lifetechnologies.com/termsandconditions. If you have any questions, please contact Life Technologies at www.lifetechnologies.com/support.

Purchaser Notification

**Limited Use
Label
License:
Research
Use Only**

The purchase of this product conveys to the purchaser the limited, non-transferable right to use the purchased amount of the product only to perform internal research for the sole benefit of the purchaser. No right to resell this product or any of its components is conveyed expressly, by implication, or by estoppel. This product is for internal research purposes only and is not for use in commercial services of any kind, including, without limitation, reporting the results of purchaser's activities for a fee or other form of consideration. For information on obtaining additional rights, please contact outlicensing@lifetech.com or Out Licensing, Life Technologies, 5791 Van Allen Way, Carlsbad, California 92008.

©2012 Life Technologies Corporation. All rights reserved. The trademarks mentioned herein are the property of Life Technologies Corporation or their respective owners.

LIFE TECHNOLOGIES CORPORATION AND/OR ITS AFFILIATE(S) DISCLAIM ALL WARRANTIES WITH RESPECT TO THIS DOCUMENT, EXPRESSED OR IMPLIED, INCLUDING BUT NOT LIMITED TO THOSE OF MERCHANTABILITY, FITNESS FOR A PARTICULAR PURPOSE, OR NON-INFRINGEMENT. TO THE EXTENT ALLOWED BY LAW, IN NO EVENT SHALL LIFE TECHNOLOGIES AND/OR ITS AFFILIATE(S) BE LIABLE, WHETHER IN CONTRACT, TORT, WARRANTY, OR UNDER ANY STATUTE OR ON ANY OTHER BASIS FOR SPECIAL, INCIDENTAL, INDIRECT, PUNITIVE, MULTIPLE OR CONSEQUENTIAL DAMAGES IN CONNECTION WITH OR ARISING FROM THIS DOCUMENT, INCLUDING BUT NOT LIMITED TO THE USE THEREOF.

Notes

Notes

Notes

Headquarters

5791 Van Allen Way | Carlsbad, CA 92008 USA
Phone +1 760 603 7200 | Toll Free in USA 800 955 6288

For support visit

www.invitrogen.com/support or email techsupport@invitrogen.com
www.lifetechnologies.com

