

# CORNING

---

## TRANSTAR-96™ SYSTEM

CATALOG NUMBER 7605

The Transtar-96 is a portable  
Variable volume liquid handling  
System capable of delivering  
25-200  $\mu$ ls. The system is  
Completely autoclavable for use  
In a sterile environment



# OPERATING INSTRUCTIONS

## Volume Selection (figure 1)

1. Position Transtar-96™ so that VOLUME Scale (1) is facing towards you.
2. Squeeze to lift up ENGAGEMENT LEVER (2) and move handle to the ADJUSTABLE VOLUME POSITION.
3. Align the selected volume graduation on the VOLUME SCALE (25-200µL) with the INDICATOR LINE on the LENS (3). SEE ILLUSTRATION. Tighten volume and adjustment knob.

The dispensing volume is now set.

## Load Cartridge (figure 1)

Please note that a Transplate 96 cartridge (Cat#7610) must be in place to operate the instrument. The cartridges are available in individual sterile packs 25 cartridges/carton.

4. Squeeze ENGAGEMENT LEVER and move HANDLE (away from you) into LOAD/RELEASE position as indicated by the operation instruction label.
5. Lift to open DOOR (5) and aseptically slide CARTRIDGE; snap DOOR closed. CARTRIDGE is in alignment when DOOR is shut.
6. To prime system after CARTRIDGE is in place, lift up ENGAGEMENT LEVER and bring HANDLE back (towards you) to the BLOWOUT POSITION (6). Place Transtar-96 over a filled RESERVOIR and with a slow steady motion move HANDLE with ENGAGEMENT LEVER compressed to RELEASE/LOAD position and back to blowout twice.
7. Lift ENGAGEMENT Lever; bring HANDLE forward (towards you) to ADJUSTABLE VOLUME POSITION (7). The unit is now set to draw liquid.

## Transtar-96 Operation with Reservoir (figure 2)

8. Fill reservoir with reagent or media to be transferred. The stainless steel reservoir can be used with or without a disposable reservoir liner.
9. Place the Transtar-96 unit over fluid reservoir and return handle to Zero position (2). Fluid is drawn.
10. Transfer unit to 96 well cluster; carefully lowering unit skirt over the plate. Lift up ENGAGEMENT lever and bring handle (towards you with a smooth motion) past the ADJUSTABLE VOLUME POSITION into the blowout position. The fluid is now dispensed.
11. Remove unit from over cluster and return handle to zero position.

The Transtar-96 is ready to be cycled again, begin with step 7.

### Please Note:

To insure maximum cartridge life and to maintain optimum repeatability return handle to zero position in between uses.

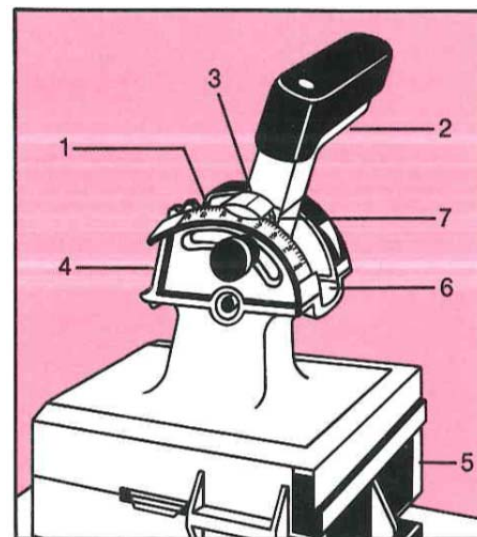


figure 1

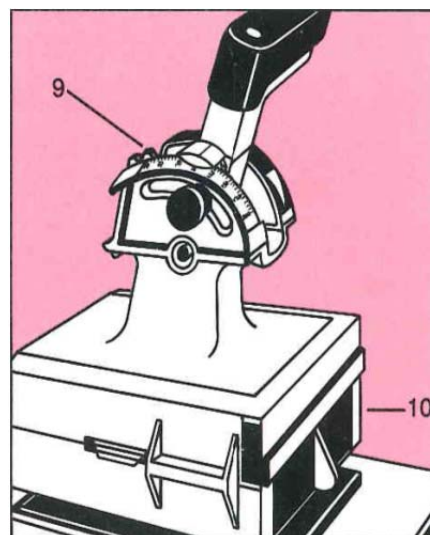


figure 2

## Autoclave Instructions:

1. Transtar-96 and adjustable cluster elevator are completely autoclavable for use in a sterile environment.
2. Autoclaving procedures at a temperature of 121°C (250°F) at 15 lbs pressure for 20 minutes.
3. WARNING: EXCESSIVE HEAT AND/OR TIME IN AUTOCLAVE CAN CAUSE (WARPING) DAMAGE TO THE UNIT.

## OPERATING INSTRUCTIONS (cont'd)

### Transtar-96 Operation with Adjustable Cluster Elevator (figure 3)

The adjustable cluster elevator (Cat #7606) is a Transtar-96 accessory available from Costar. The elevator was designed to facilitate fluid transfer from the wells of one 96 well cluster to the corresponding wells on another plate.

1. Position the 96 well cluster that fluid is to be removed from on ELEVATOR PLATFORM (1), insuring plate is fully seated.
2. Place Transtar unit with engagement lever in adjustable volume position over the cluster on platform. Raise Platform to desired height, as indicated by Platform Height Scale (2). (Raising the platform lowers cartridge trips into cluster wells).
3. Return handle to zero position, fluid is drawn.
4. Transfer unit to 96 well cluster to which fluid is to be delivered; carefully lower unit skirt over plate. Squeeze ENGAGEMENT LEVER and bring handle with a smooth motion past the ADJUSTABLE VOLUME POSITION into BLOWOUT POSITION. Fluid is now dispersed.
5. Remove unit from over cluster and return to ZERO POSITION.

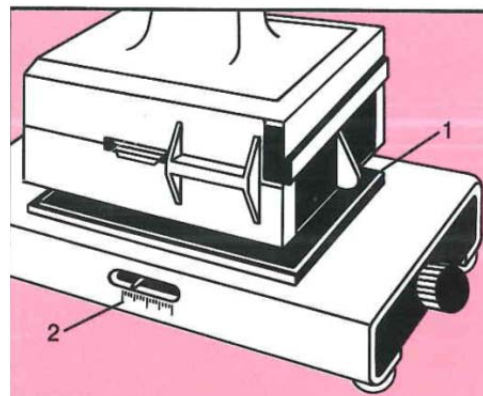
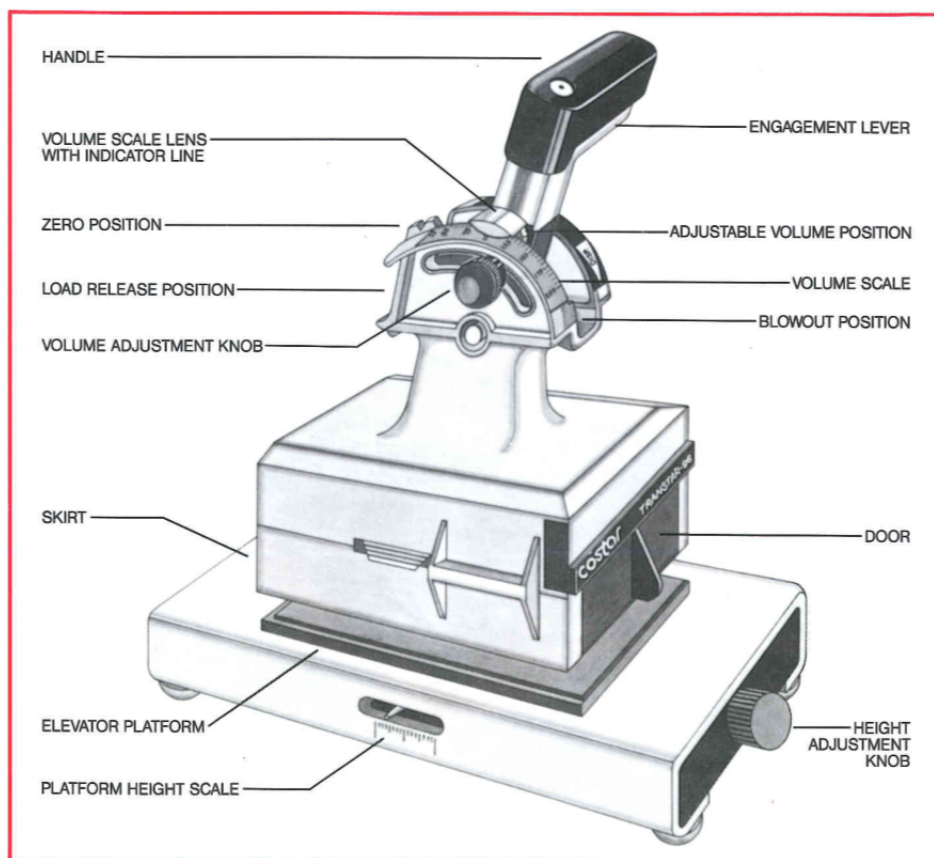


figure 3



- Transtar-96 Portable Variable Volume 25-200µl liquid transfer system.
- Autoclavable system uses sterile transfer Cartridges.
- At full volume +2% accuracy and repeatability

CATALOG #	DESCRIPTION
-----------	-------------

7605	Transtar-96
7606	Transtar-96 Adjustable Cluster Elevator
7610	Transplate-96 Cartridges, sterile, individually wrapped 25/carton
4876	Disposable Reservoir Liner, standard open, sterile, individually wrapped, 100/carton
4877	Disposable Reservoir Liner, 12 channel sterile, individually wrapped, 100/carton
4878	Disposable Reservoir Liner, 8 channel sterile, individually wrapped, 100/carton

Please register your warranty online at  
<http://www.corning.com/lifesciences/warranty>

## CORNING

**Corning Incorporated**  
*Life Sciences*  
 836 North Street, Suite 3401

Tewksbury, MA 01876

USA

t 800.492.1110  
 t 978.442.2200

f 978.442.2476

[www.corning.com/lifesciences](http://www.corning.com/lifesciences)

**Worldwide  
 Support Offices**  
**ASIA**

**Australia/New Zealand**

t 0402-794-347

**China**  
 t 86 21-2215-2888  
 f 86 21-6215-2988

**India**  
 t 91-124-4604000  
 f 91-124-4604099

**Japan**  
 t 81 3-3586 1996  
 f 81 3-3586 1291

**Korea**  
 t 82 2-796-9500  
 f 82 2-796-9300

**Singapore**  
 t 65 6733-6511  
 f 65 6861-2913

**Taiwan**  
 t 886-2-2716-0338  
 f 886 2-2716-0339

**EUROPE**

**France**

t 0800 916 882

f 0800 918 636

**Germany**  
 t 0800 101 1153  
 f 0800 101 2427

**The Netherlands**  
 t 31 20 655 79 28  
 f 31 20 659 76 73

**United Kingdom**  
 t 0800 376 8660  
 f 0800 279 1117

**All other European Countries**  
 t 31 (0) 20 659 60 51  
 F 31 (0) 20 659 7673

**LATIN AMERICA**

**Brasil**

t (55-11) 3089-7419  
 f (55-11) 3167-0700

**Mexico**

t (52-81)8158-8400  
 f (52-81) 8313-8589

