


# Axiom™ Mini 96-Array Plates

Catalog Number Multiple

Doc. Part No. 703440 Pub. No. MAN0019171 Rev. B.0

 **WARNING!** Read the Safety Data Sheets (SDSs) and follow the handling instructions. Wear appropriate protective eyewear, clothing, and gloves. Safety Data Sheets (SDSs) are available from [thermofisher.com/support](http://thermofisher.com/support).

## Product use

The Applied Biosystems™ Axiom™ Mini 96-Array Plates are designed for the genotyping of single nucleotide polymorphisms (SNPs) and simple insertion/deletions (indels) on 96 samples. This array plate, when used with an Axiom™ mini 96 reagent kit, enables researchers to perform large-scale genotyping studies in a flexible manner.

Each plate consists of 96 microarrays and is offered as a part of the Applied Biosystems™ Axiom™ Genotyping Solution that includes manual target preparation in 96 format for sample preparation and the GeneTitan™ Multi-Channel (MC) Instrument for array washing, staining, and scanning.

Samples are prepared for hybridization to the arrays using an Axiom™ mini 96 reagent kit. The reagents for processing Axiom™ Mini 96-Array Plates on the GeneTitan™ MC Instrument are included in this reagent kit.

The oligonucleotide probes on Applied Biosystems™ array plates are synthesized *in situ* using the photolithographic process.

## Ordering information

Product name	Description	Cat. No.
Axiom™ Mini 96-Array Plate	One array plate, mini 96-array format.	Varies
Axiom™ PharmacoFocus™ Mini 96-Array Plate	One array plate, mini 96-array format with star allele reporting.	952380
Axiom™ PharmacoFocus™ Mini 96-Array Plate Core	One array plate, mini 96-array format without star allele reporting.	952424
Axiom™ PharmacoFocus™ Assay Mini 96 Reagent Kit	Sufficient for one mini 96-array plate.	952389
Axiom™ 2.0 Assay Mini 96 Reagent Kit	Sufficient for one mini 96-array plate.	903013
Axiom™ 384HT GeneTitan™ High Volume Consumables Kit	Contains all consumables that are required to process 5 mini 96-array plates on the GeneTitan™ MC Instrument: 5 hybridization trays, 5 scan trays, and 25 stain trays with covers.	902629
Axiom™ GeneTitan™ 384HT Consumables Kit	Contains all consumables that are required to process 1 mini 96-array plates on the GeneTitan™ MC Instrument: 1 hybridization trays, 1 scan trays, and 5 stain trays with covers.	952385

For a complete list of reagents and consumables required, refer to the appropriate assay site preparation guide.

## Instructions for use

The following documents contain instructions for processing samples related to the instruments and software required to perform the Axiom™ 2.0 Assay or Axiom™ PharmacoFocus™ Assay with Axiom™ Mini 96-Array Plates:

- *Axiom™ 2.0 Assay Mini 96-Array Format Manual Workflow User Guide*, Pub. No. 703434 (QR Pub. No. 703436).
- *Axiom™ PharmacoFocus™ Assay Mini 96-Array Format Automated Workflow User Guide—Applied Biosystems™ NIMBUS™ Target Preparation Instrument*, Pub. No. MAN0019222 (QR Pub. No. MAN0019224).
- *Axiom™ PharmacoFocus™ Assay Mini 96-Array Format Manual Workflow User Guide*, Pub. No. MAN0019172 (QR Pub. No. MAN0019174).

## Library files

Library files contain information about the array design characteristics, probe use and content, and scanning and analysis parameters. These files are unique for each array. GeneTitan™ MC library files provide instructions for the fluidics and scanning activities on the GeneTitan™ MC Instrument. Analysis library files and annotation files are required for genotyping in Genotyping Console™ software. Contact your field application scientist to get the appropriate library files for your array.

For predesigned arrays, the library files can be located under the specific array product page on our website.

## Instrumentation and software required

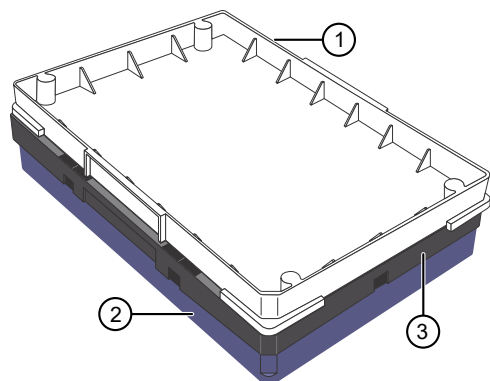
- Applied Biosystems™ NIMBUS™ Target Preparation Instrument (when running the automated workflow)
- GeneTitan™ MC Instrument
- GeneChip™ Command Console™ software
- Genotyping Console
- Axiom™ Analysis Suite

## Storage, handling, and stability

Store array plates at 2–8°C and do not allow to freeze. Do not open the packaging until ready for use—this is essential to protect the array plates from damage, exposure to dust, and excess light. Refer to the expiration date on the package label. Do not use array plates or reagents after the expiration date.

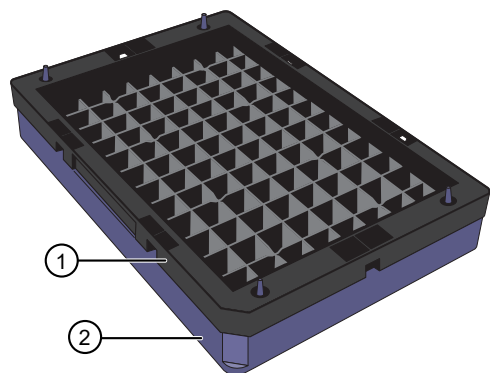
### When handling the mini 96-array plate

The array plate is packaged with a blue plastic base and a protective lid, as shown Figure 1. Remove the array plate, blue plastic base, and protective lid from the pouch with gloved hands. Do not remove the array plate from the blue plastic base or touch the array plate directly. The base is not attached to the plate and can fall off when the plate is lifted. Keep the array plate in the protective base at all times, including when placed on the GeneTitan™ MC Instrument, as shown in Figure 2. Remove and discard the white protective lid.



**Figure 1** Array plate as packaged

- ① White protective lid (discard)    ③ Mini 96-array plate  
② Blue plastic base



**Figure 2** Array plate as assembled for the GeneTitan™ MC Instrument

- ① Mini 96-array plate    ② Blue plastic base

## Related documentation

The following documents contain information related to the instruments and software required to perform the assay.

- *GeneTitan™ Multi-Channel Instrument User Guide*, Pub. No. 08-0308.
- *GeneTitan™ Multi-Channel Instrument Site Preparation Guide*, Pub. No. 08-0305.
- *GeneTitan™ MC Protocol for Axiom™ Array Plate Processing Quick Reference*, Pub. No. MAN0017718.
- *GeneChip™ Command Console™ User Guide*, Pub. No. 702569.
- *Axiom™ Genotyping Solution Data Analysis User Guide*, Pub. No. MAN0018363.
- *Axiom™ Analysis Suite User Guide*, Pub. No. 703307.

## Customer and technical support

Visit [thermofisher.com/support](http://thermofisher.com/support) for the latest service and support information.

- Worldwide contact telephone numbers
- Product support information
  - Product FAQs
  - Software, patches, and updates
  - Training for many applications and instruments
- Order and web support
- Product documentation
  - User guides, manuals, and protocols
  - Certificates of Analysis
  - Safety Data Sheets (SDSs; also known as MSDSs)

**Note:** For SDSs for reagents and chemicals from other manufacturers, contact the manufacturer.

## Limited product warranty

Life Technologies Corporation and/or its affiliate(s) warrant their products as set forth in the Life Technologies' General Terms and Conditions of Sale at [www.thermofisher.com/us/en/home/global/terms-and-conditions.html](http://www.thermofisher.com/us/en/home/global/terms-and-conditions.html). If you have any questions, please contact Life Technologies at [www.thermofisher.com/support](http://www.thermofisher.com/support).



Affymetrix Pte Ltd | 7 Gul Circle #2M-01 | Keppel Logistics Building | Singapore 629563

For descriptions of symbols on product labels or product documents, go to [thermofisher.com/symbols-definition](https://www.thermofisher.com/symbols-definition).

The information in this guide is subject to change without notice.

**DISCLAIMER:** TO THE EXTENT ALLOWED BY LAW, THERMO FISHER SCIENTIFIC INC. AND/OR ITS AFFILIATE(S) WILL NOT BE LIABLE FOR SPECIAL, INCIDENTAL, INDIRECT, PUNITIVE, MULTIPLE, OR CONSEQUENTIAL DAMAGES IN CONNECTION WITH OR ARISING FROM THIS DOCUMENT, INCLUDING YOUR USE OF IT.

**Important Licensing Information:** These products may be covered by one or more Limited Use Label Licenses. By use of these products, you accept the terms and conditions of all applicable Limited Use Label Licenses.

©2020 Thermo Fisher Scientific Inc. All rights reserved. All trademarks are the property of Thermo Fisher Scientific and its subsidiaries unless otherwise specified.