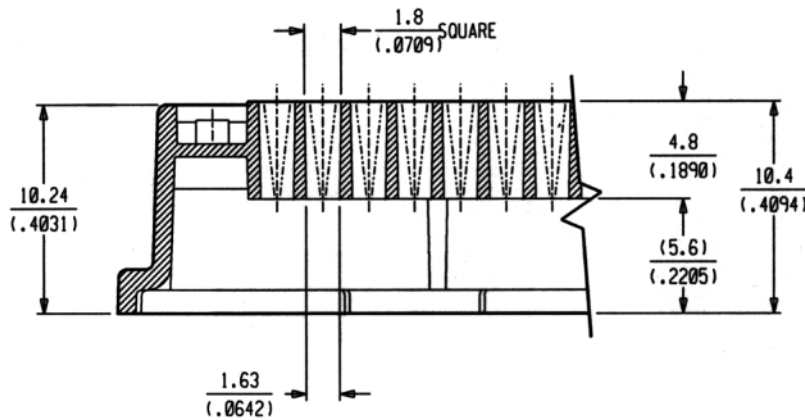


# Corning® 1536 Well Microplate Geometry

CORNING

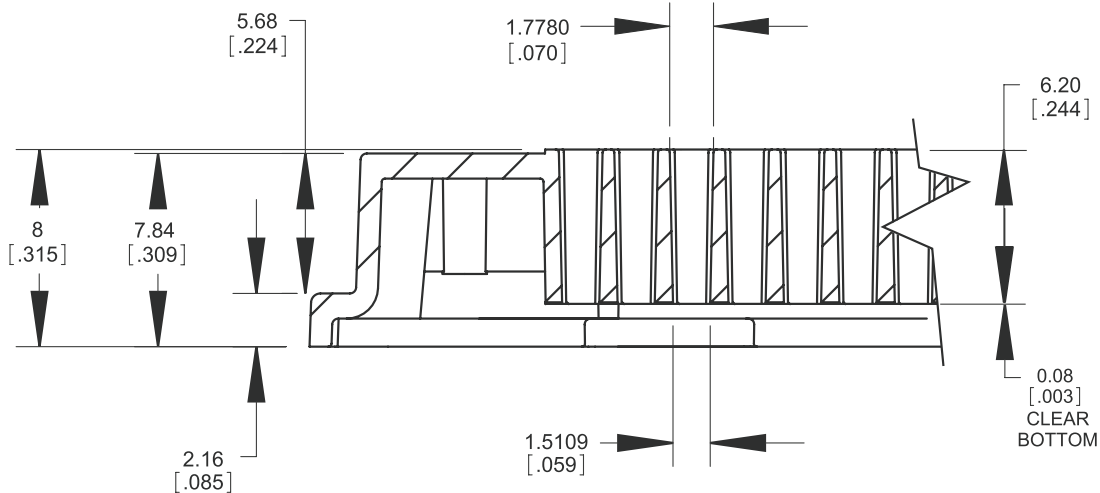
## High Base



## High Base

Cat. No.  
 3724  
 3725  
 3726  
 3727  
 3728  
 3729  
 3891  
 3893  
 3895  
 3724BC  
 3725BC  
 3726BC  
 3727BC  
 3728BC  
 3729BC  
 3891BC  
 3893BC  
 3895BC

## Low Base



## Low Base

Cat. No.  
 3831  
 3832  
 3838  
 3832BC  
 3838BC

## Corning® 1536 Well Polystyrene Microplate Ordering Information

Cat. No.	Plate Format	Plate Color	Well Bottom	Surface Treatment	Sterile	Qty/ Pk	Qty/ /Cs
<b>1536 Well Microplates, High Base</b>							
3724	Standard Microplate	Black	Flat	Not Treated	No	10	50
3725	Standard Microplate	White	Flat	Not Treated	No	10	50
3726	Standard Microplate with Lid	Black	Flat	TC-Treated	Yes	10	50
3727	Standard Microplate with Lid	White	Flat	TC-Treated	Yes	10	50
3728	Standard Microplate	Black	Flat	NBS™ Surface	No	10	50
3729	Standard Microplate	White	Flat	NBS Surface	No	10	50
3891	Clear Bottom Microplate	Black	Flat	Not Treated	No	10	50
3893	Clear Bottom Microplate with Lid	Black	Flat	TC-Treated	Yes	10	50
3895	Clear Bottom Microplate	Black	Flat	NBS Surface	No	10	50
3724BC	Standard Microplate with Bar Code Labels	Black	Flat	Not Treated	No	10	50
3725BC	Standard Microplate with Bar Code Labels	White	Flat	Not Treated	No	10	50
3727BC	Standard Microplate with Lid and Bar Code Labels	White	Flat	TC-Treated	Yes	10	50
3728BC	Standard Microplate with Lid and Bar Code Labels	Black	Flat	NBS Surface	No	10	50
3729BC	Standard Microplate with Bar Code Labels	White	Flat	NBS Surface	No	10	50
3891BC	Clear Bottom Microplate with Bar Code Labels	Black	Flat	Not Treated	No	10	50
3893BC	Clear Bottom Microplate with Lid and Bar Code Labels	Black	Flat	TC-Treated	Yes	10	50
3895BC	Clear Bottom Microplate with Bar Code Labels	Black	Flat	NBS Surface	No	10	50
<b>1536 Well Microplates, Low Base</b>							
3831	Clear Bottom Microplate	Black	Flat	Not Treated	No	10	50
3832	Clear Bottom Microplate with Lid	Black	Flat	Corning CellBIND® Surface	Yes	10	50
3838	Clear Bottom Microplate with Lid	Black	Flat	TC-Treated	Yes	10	50
3832BC	Clear Bottom Microplate with Lid and Bar Code Labels	Black	Flat	Corning CellBIND Surface	Yes	10	50
3838BC	Clear Bottom Microplate with Lid and Bar Code Labels	Black	Flat	TC-Treated	Yes	10	50

For additional product or technical information, please visit [www.corning.com/lifesciences](http://www.corning.com/lifesciences) or call 800.492.1110. Customers outside the United States, call +1.978.442.2200 or contact your local Corning sales office listed below.

# CORNING

### Corning Incorporated Life Sciences

Tower 2, 4th Floor  
900 Chelmsford St.  
Lowell, MA 01851  
t 800.492.1110  
t 978.442.2200  
f 978.442.2476

[www.corning.com/lifesciences](http://www.corning.com/lifesciences)

### Worldwide Support Offices

**ASIA / PACIFIC**  
**Australia/New Zealand**  
t 0402-794-347

**China**  
t 86-21-5467-4666  
f 86-21-5407-5899

**India**  
t 91 124 4604000  
f 91 124 4604099

**Japan**  
t 81 3-3586 1996  
f 81 3-3586 1291

**Korea**  
t 82 2-796-9500  
f 82 2-796-9300

**Singapore**  
t 65 6733-6511  
f 65 6861-2913

**Taiwan**  
t 886 2-2716-0338  
f 886 2-2716-0339

### EUROPE

**France**  
t 0800 916 882  
f 0800 918 636

**Germany**  
t 0800 101 1153  
f 0800 101 2427

**The Netherlands**  
t 31 20 655 79 28  
f 31 20 659 76 73

**United Kingdom**  
t 0800 376 8660  
f 0800 279 1117

**All Other European  
Countries**  
t 31 (0) 20 659 60 51  
f 31 (0) 20 659 76 73

**LATIN AMERICA**  
**Brasil**  
t (55-11) 3089-7419  
f (55-11) 3167-0700

**Mexico**  
t (52-81) 8158-8400  
f (52-81) 8313-8589