

NOT TO SCALE

Copyright ThermoFisher Scientific  
 This drawing and/or any technical information relating to it is issued in strict confidence and may not be reproduced or used for manufacture without written permission. Upon receipt of which it is the users responsibility to seek confirmation of any dimensions and production tolerances.

119.00 ±0.25

99.00 ±0.25

9.00 typ

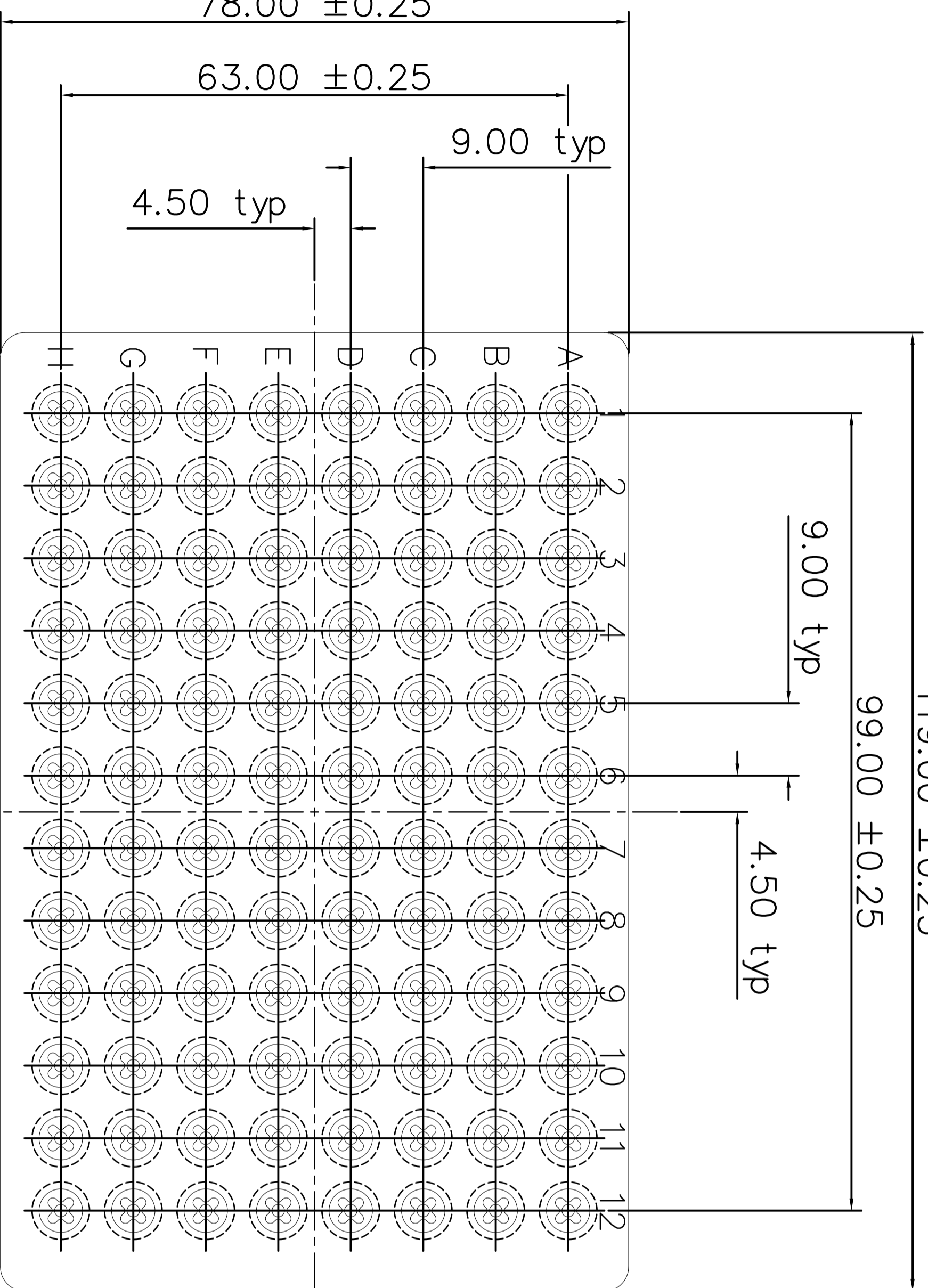
4.50 typ

9.00 typ

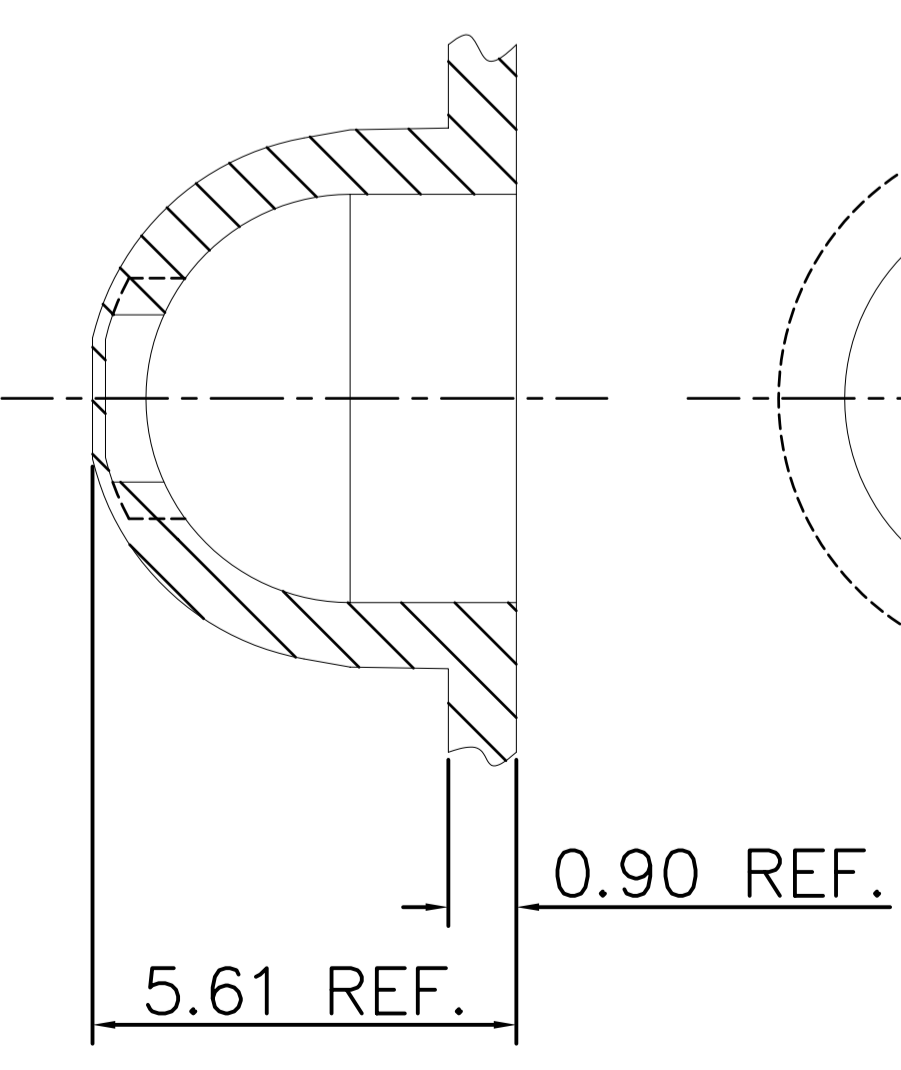
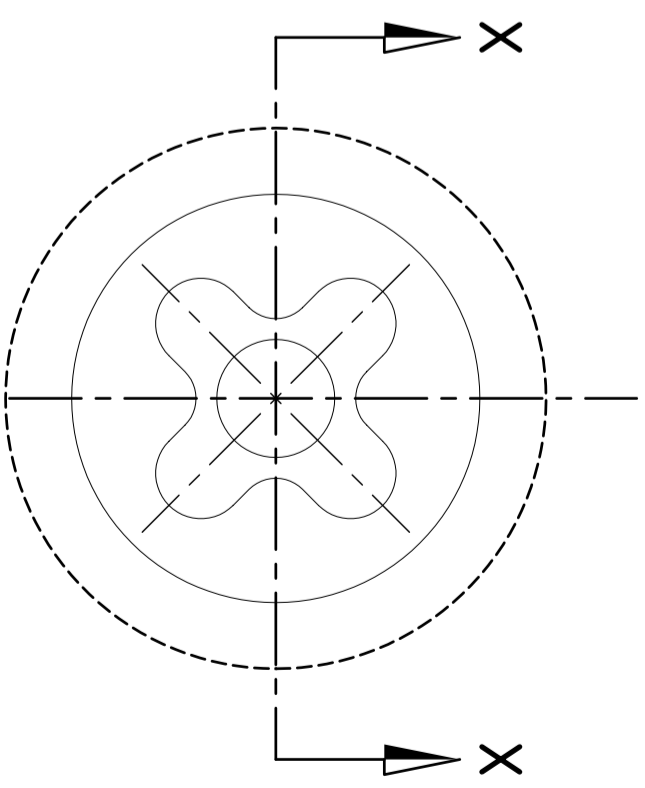
78.00 ±0.25

63.00 ±0.25

4.50 typ

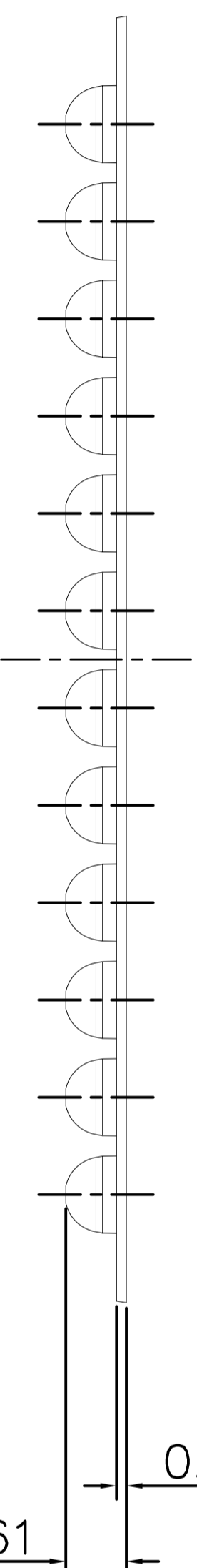


FORM DETAIL 96pos



SECTION X-X

0.90  
5.61



TITLE

1.2ml Deep Well Mat Mk. 2

DRG. NO.

AB-0674

ISSUE

ORIGINAL

DATE

24/2/09

All dimensions in mm