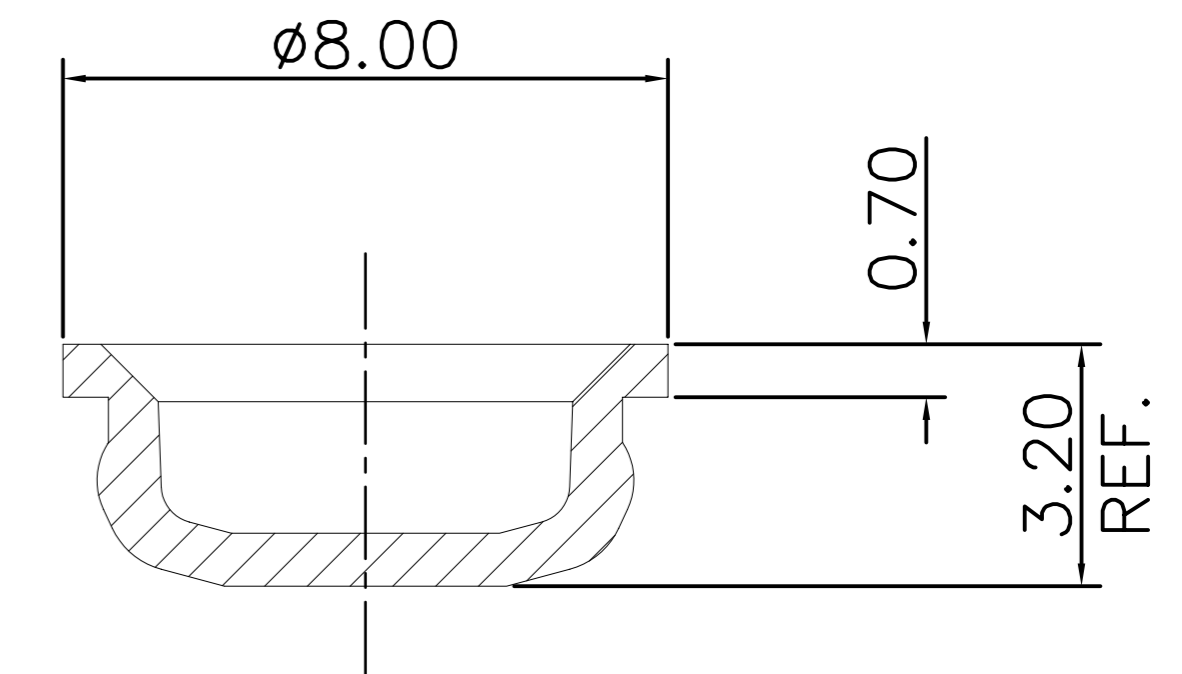
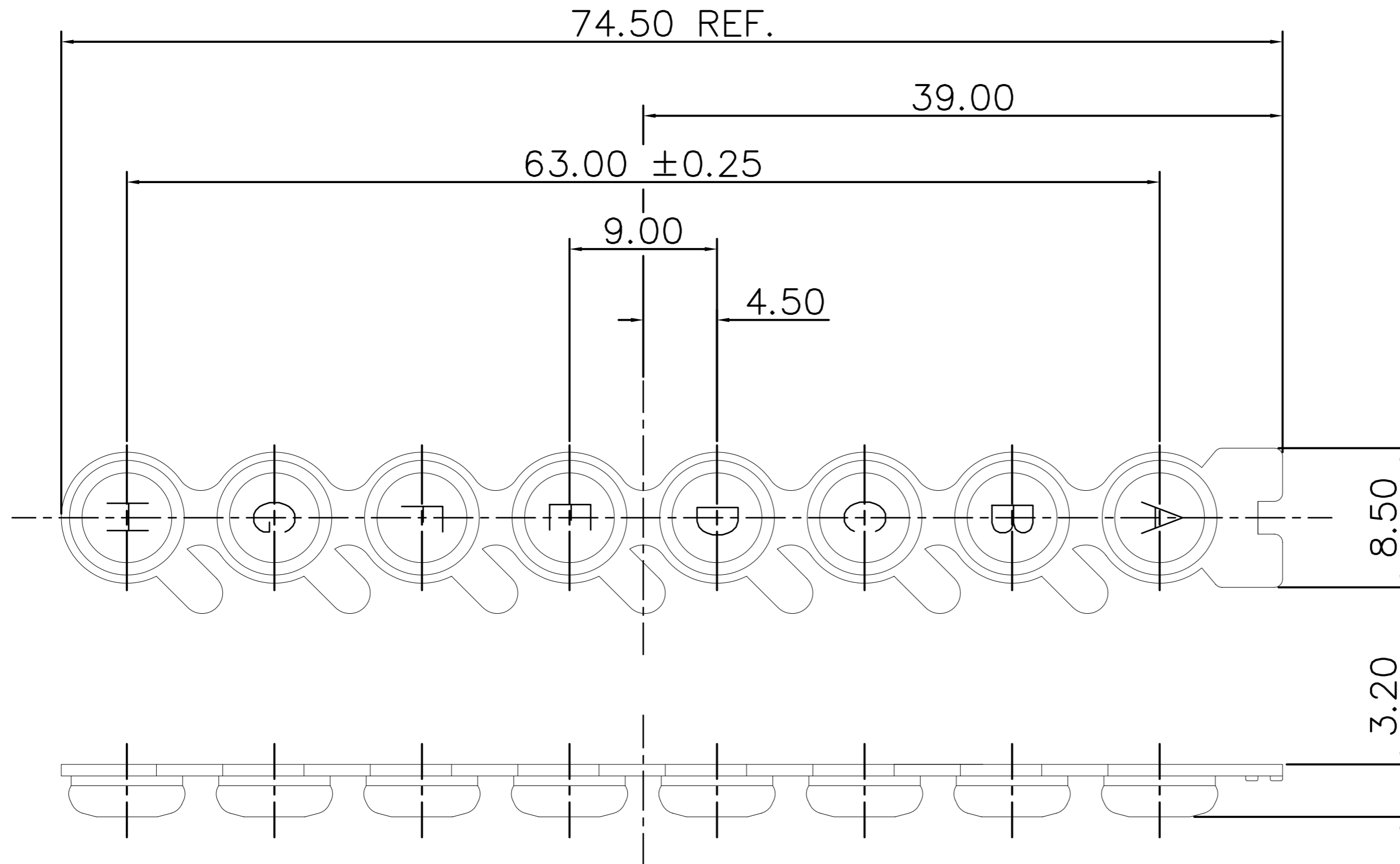


Copyright Thermo Fisher Scientific
This drawing and/or any technical information relating to it is issued in strict confidence and may not be reproduced or used for manufacture without written permission. Upon receipt of which it is the users responsibility to seek confirmation of any dimensions and production tolerances.



CAP DETAIL 8pos

All dimensions in mm

TITLE		
Storage Plate Cap Strip		
DRG. NO.	ISSUE	DATE
AB-0981	ORIGINAL	28/9/09