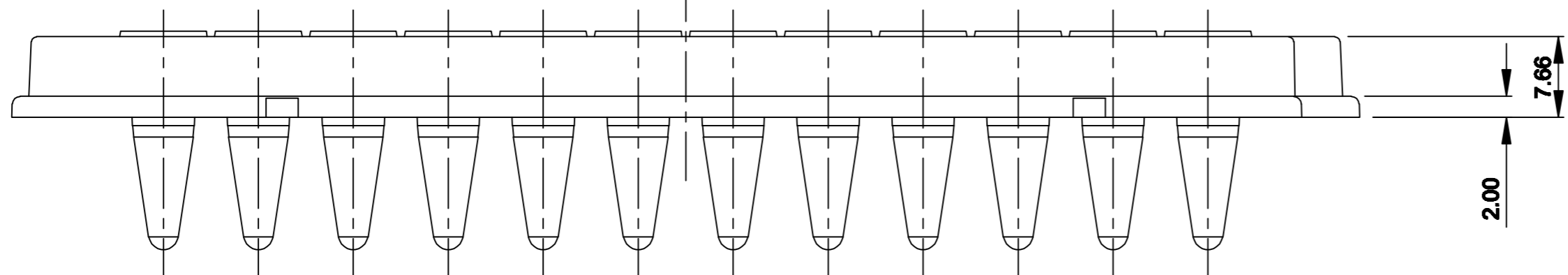
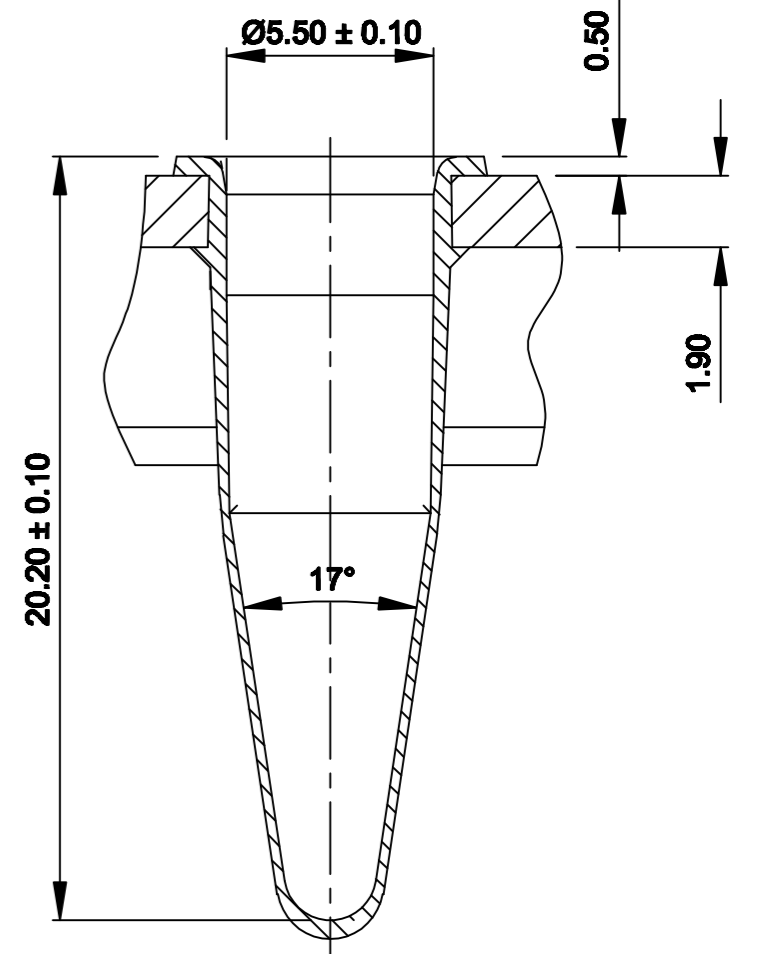
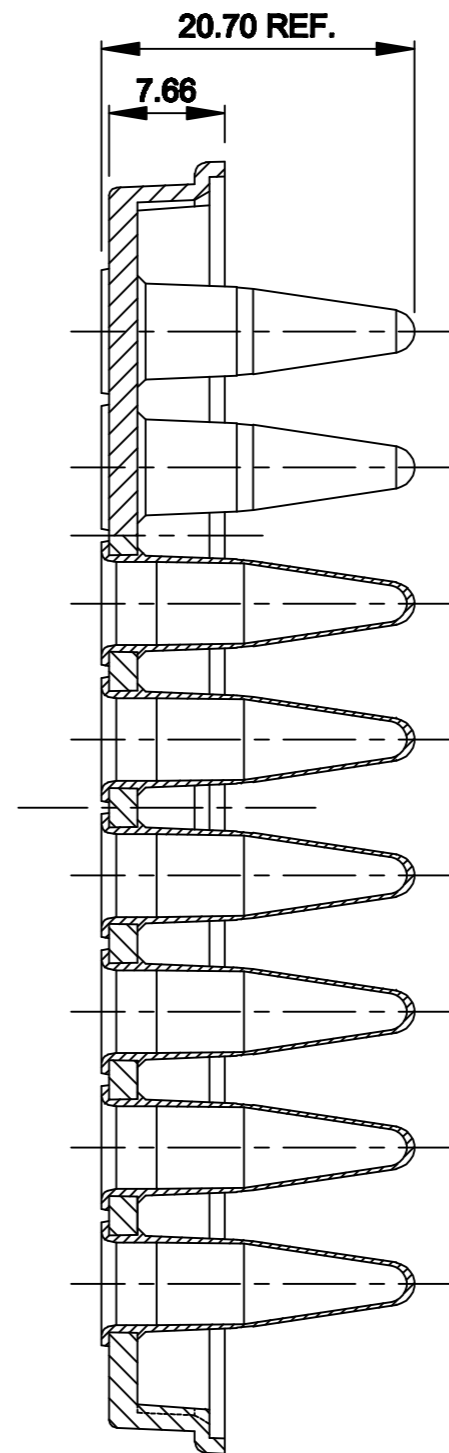
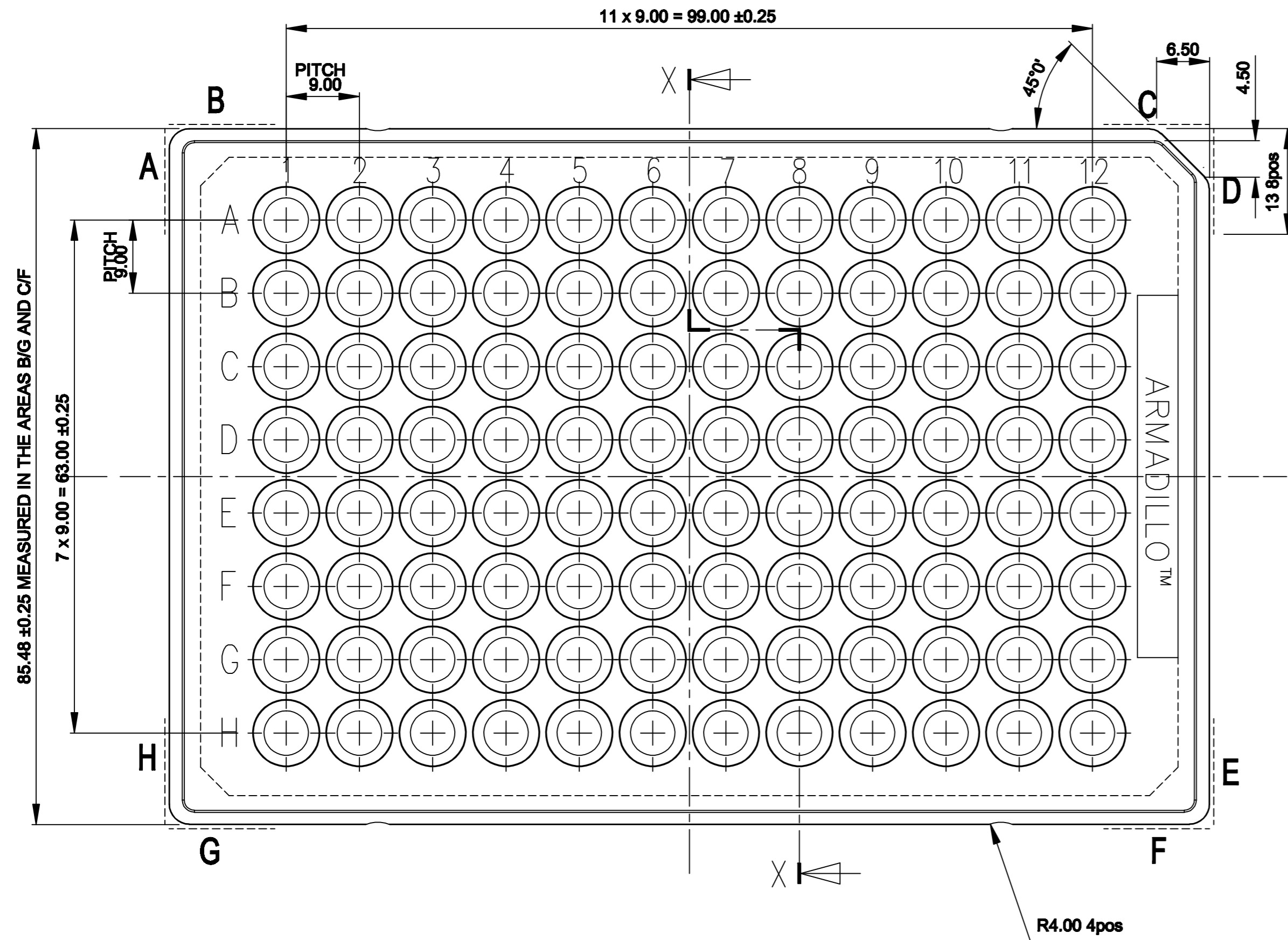


Copyright Thermo Fisher Scientific
 This drawing and/or any technical information relating to it is issued in strict confidence and may not be reproduced or used for manufacture without written permission. Upon receipt of which it is the users responsibility to seek confirmation of any dimensions and production tolerances.



SECTION X-X

VIAL DETAIL 5:1 96pos

All dimensions in mm

TITLE		
Semi Skirted 96 Well Armadillo PCR Plate		
DRG. NO.	ISSUE	DATE
AB-2596	ORIGINAL	5/8/14