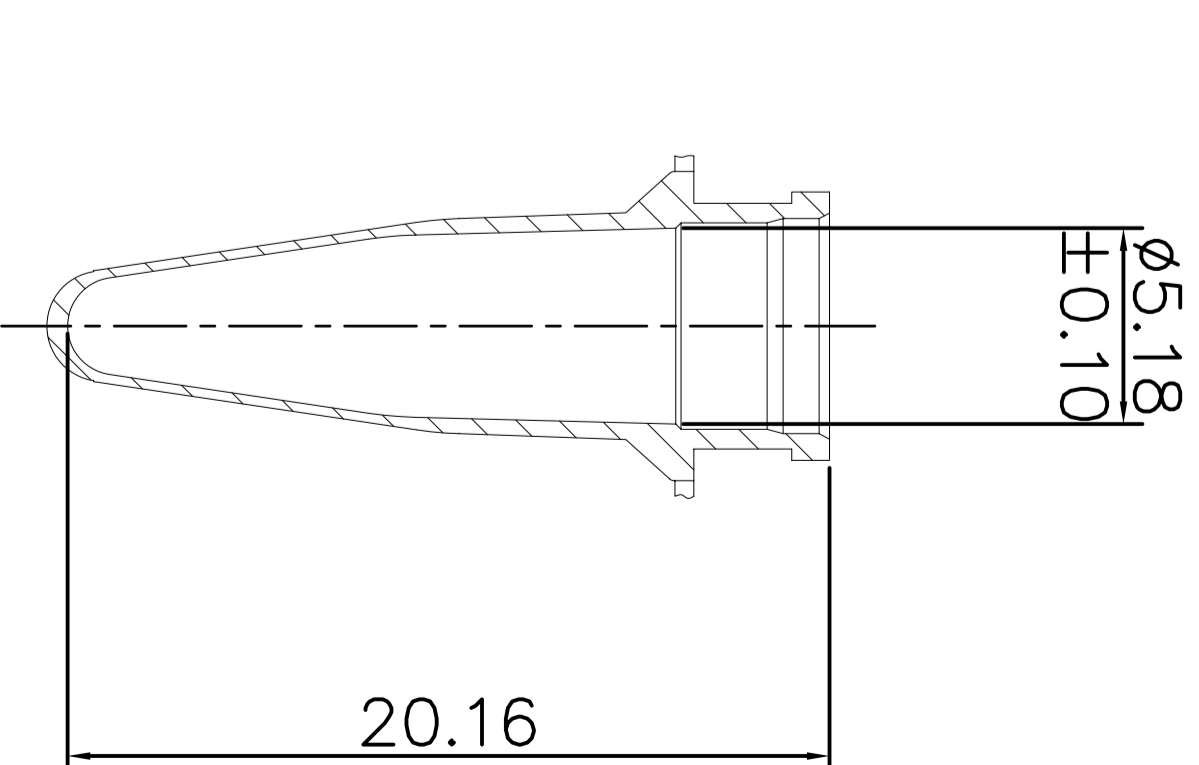
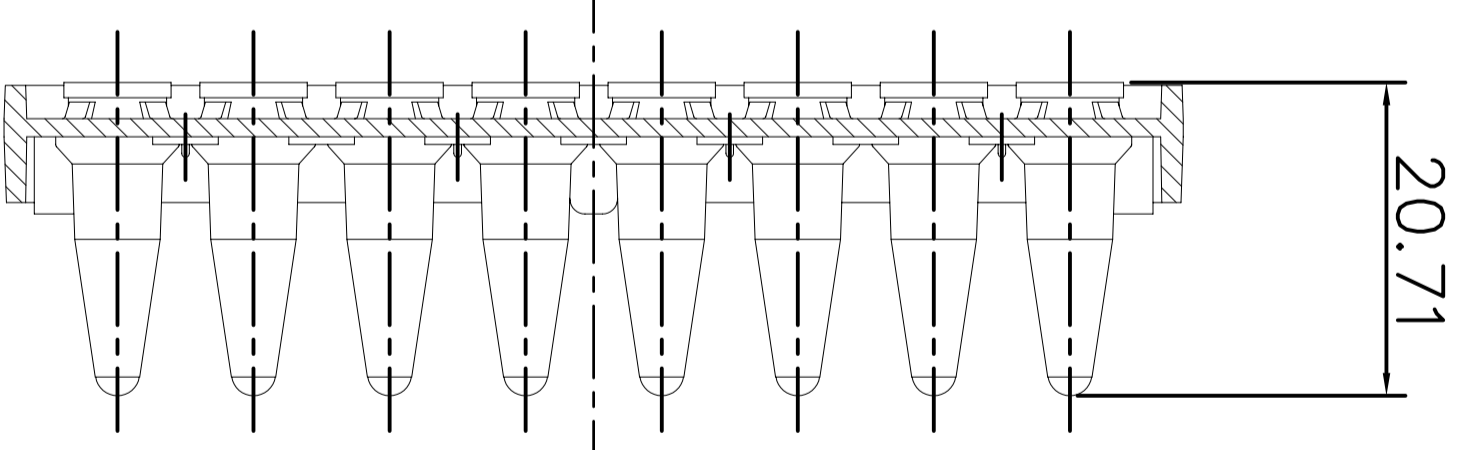
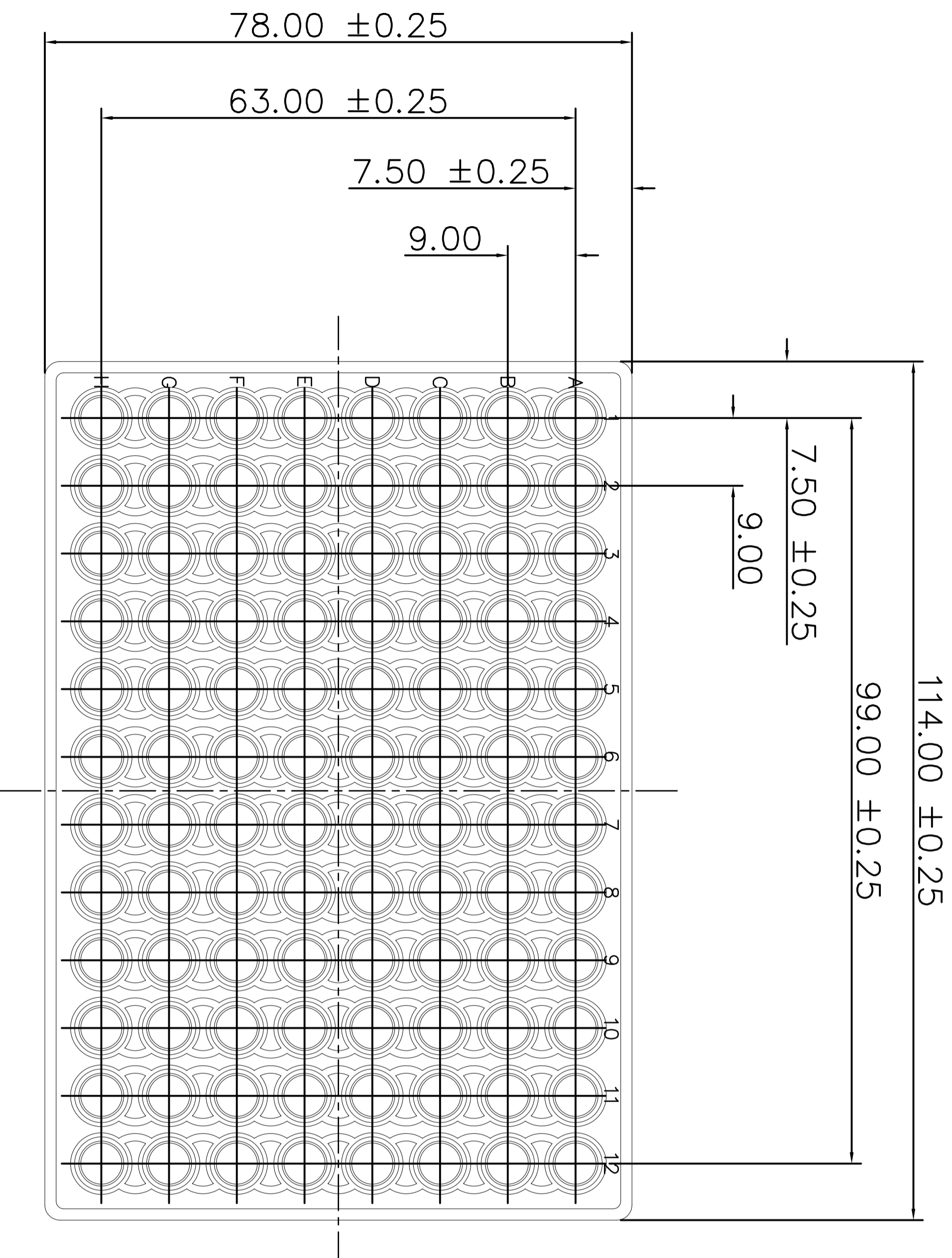


NOT TO SCALE

Copyright Thermo Fisher Scientific
 This drawing and/or any technical information relating to it is issued in strict confidence and may not be reproduced or used for manufacture without written permission. Upon receipt of which it is the users responsibility to seek confirmation of any dimensions and production tolerances.



SECTION ON
 CENTRE LINE

VIAL DETAIL 96pos

TITLE

Thermo-Tube Plate

All dimensions in mm

DRG. NO.	ISSUE	DATE
AB-0731	ORIGINAL	3/9/09