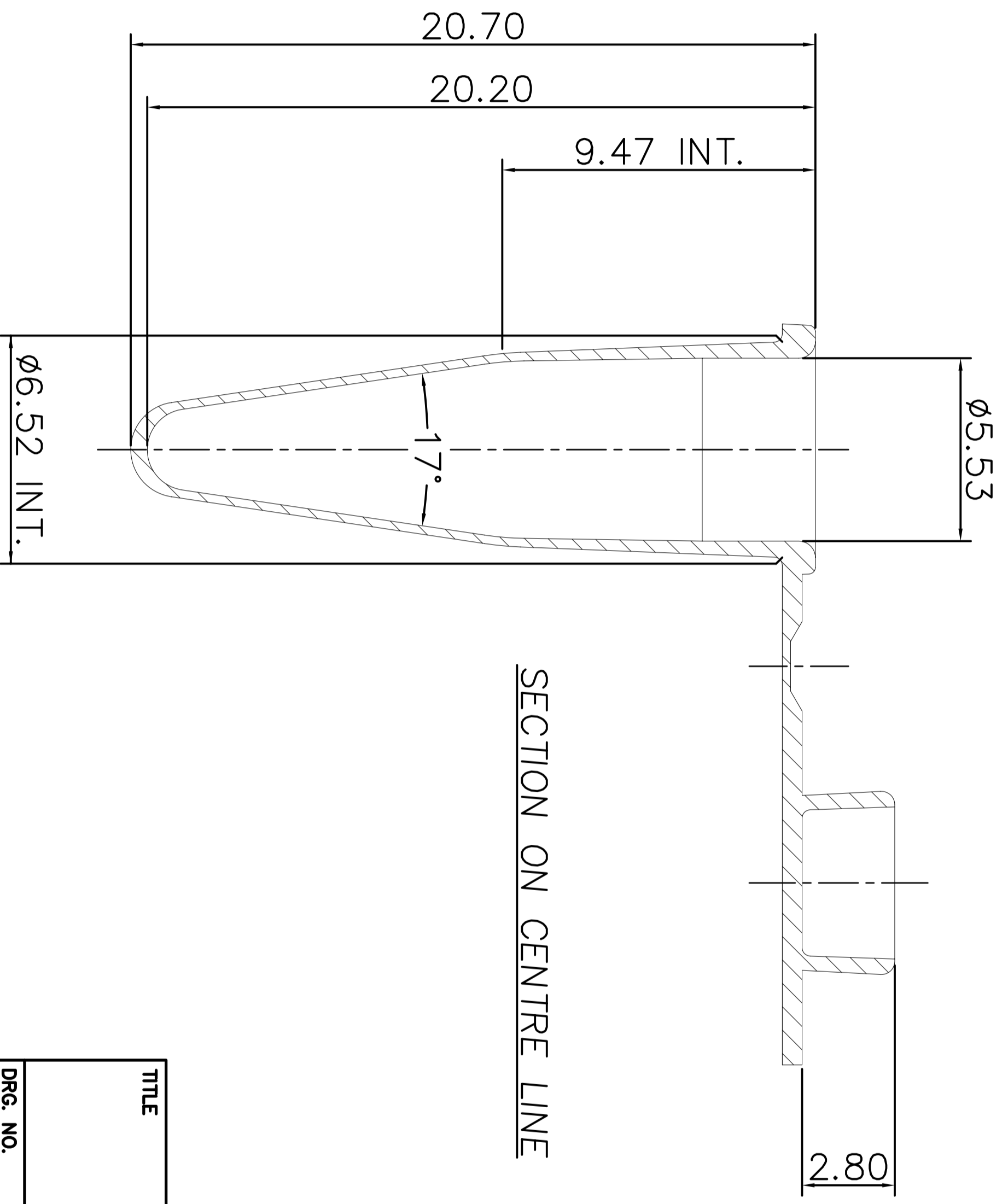
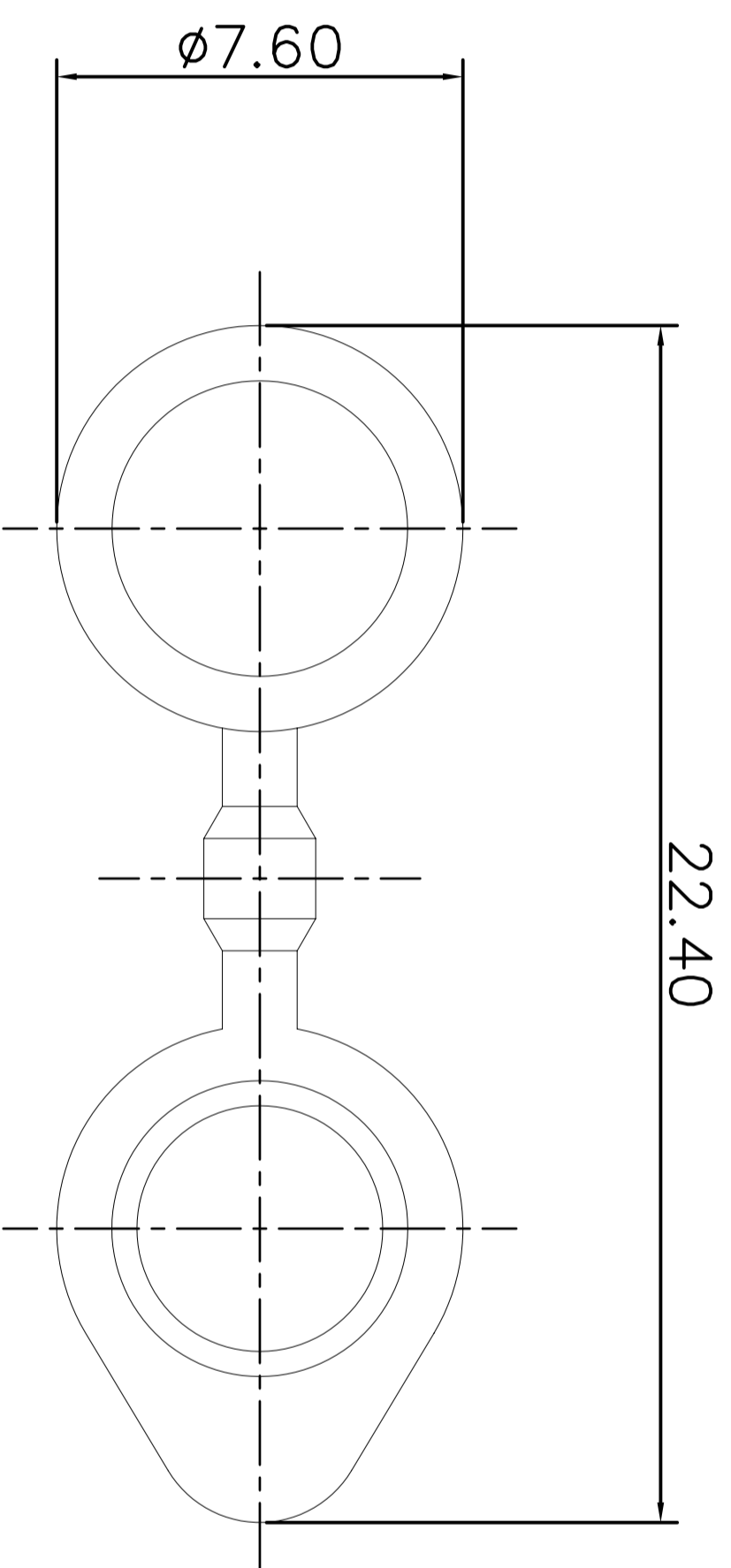


NOT TO SCALE

Copyright ABgene®
 This drawing and/or any technical information relating to it is issued in strict confidence and may not be reproduced or used for manufacture without written permission. Upon receipt of which it is the users responsibility to seek confirmation of any dimensions and production tolerances.



SECTION ON CENTRE LINE

All dimensions in mm

TITLE		
0.2ml Flat Cap Tube		
DRG. NO.	ISSUE	DATE
AB-0620	ORIGINAL	30/8/05