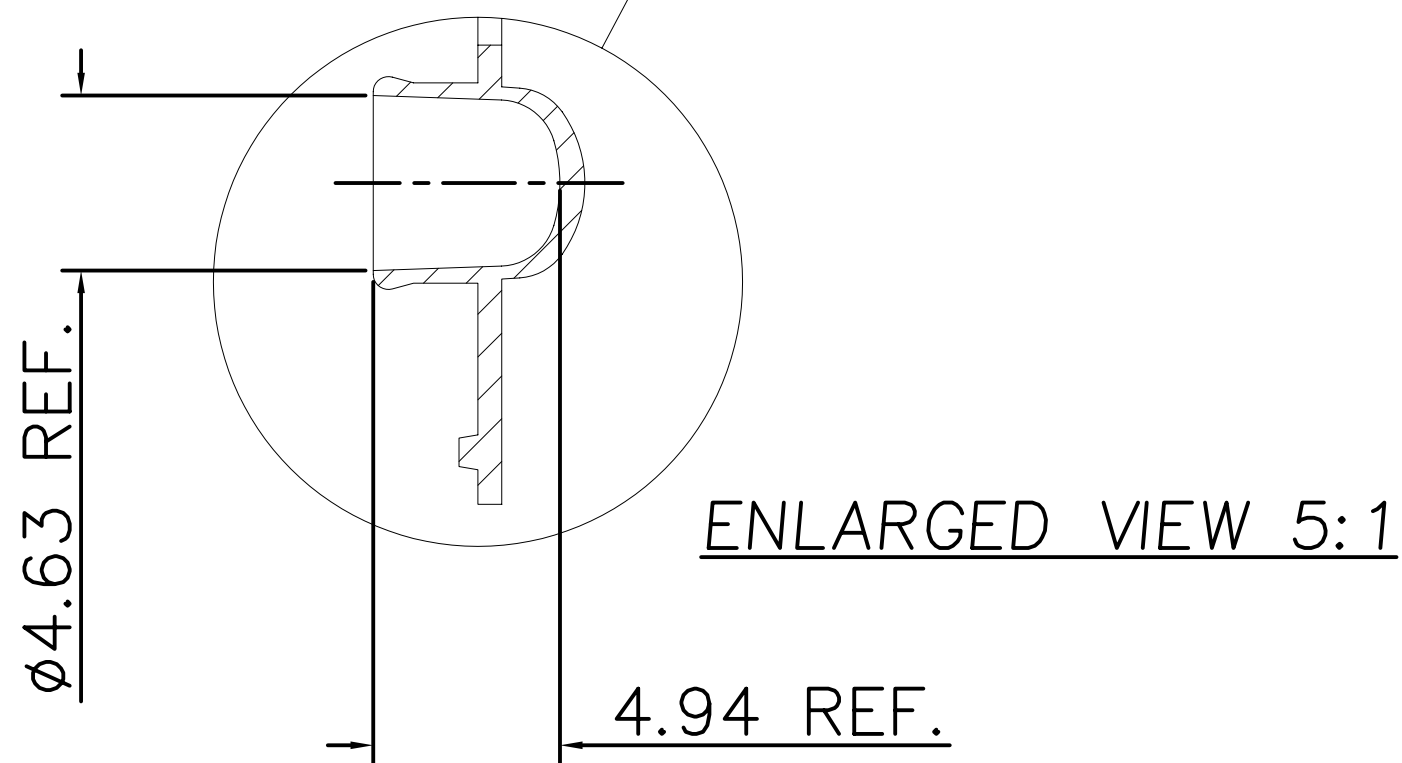
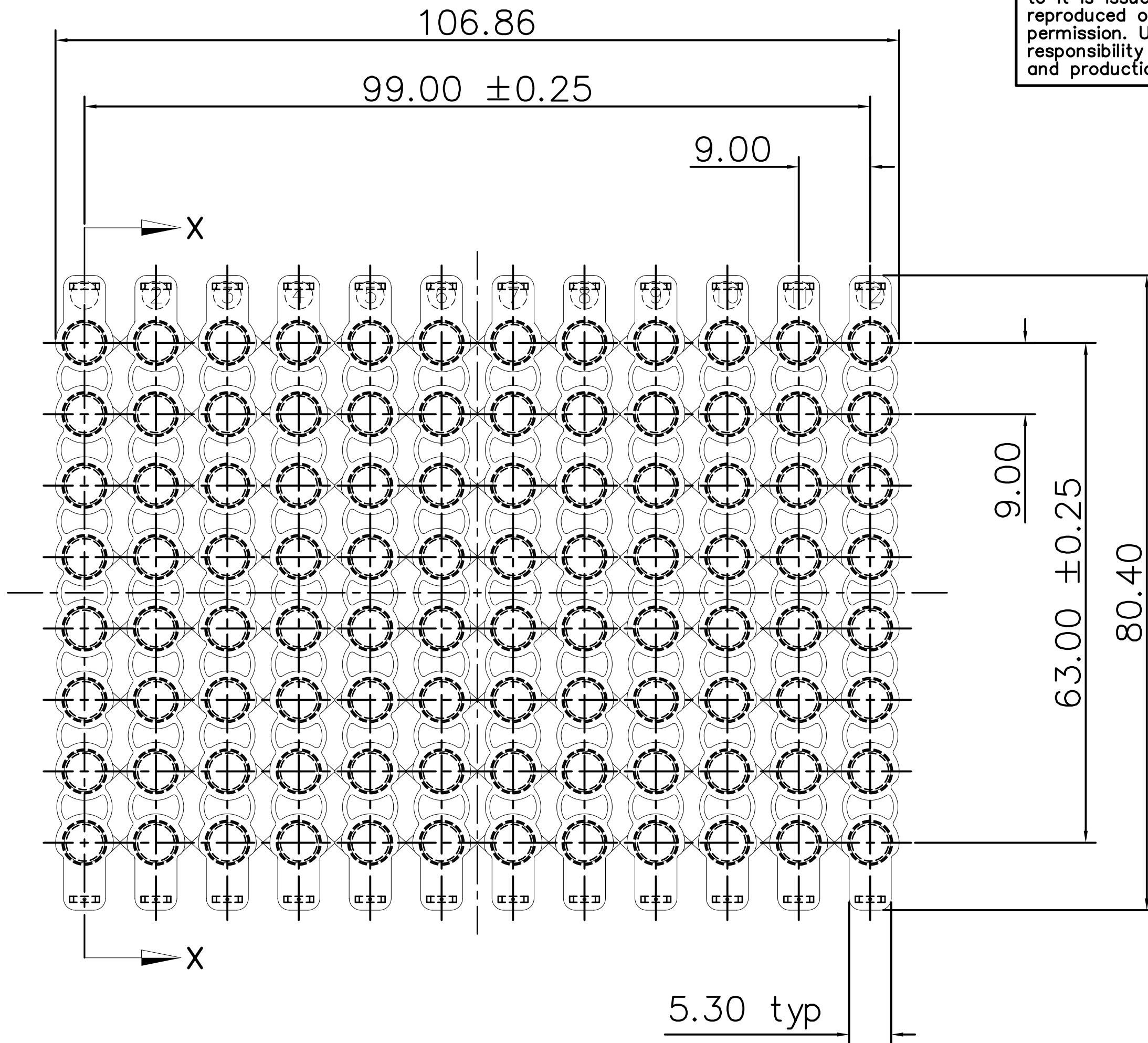
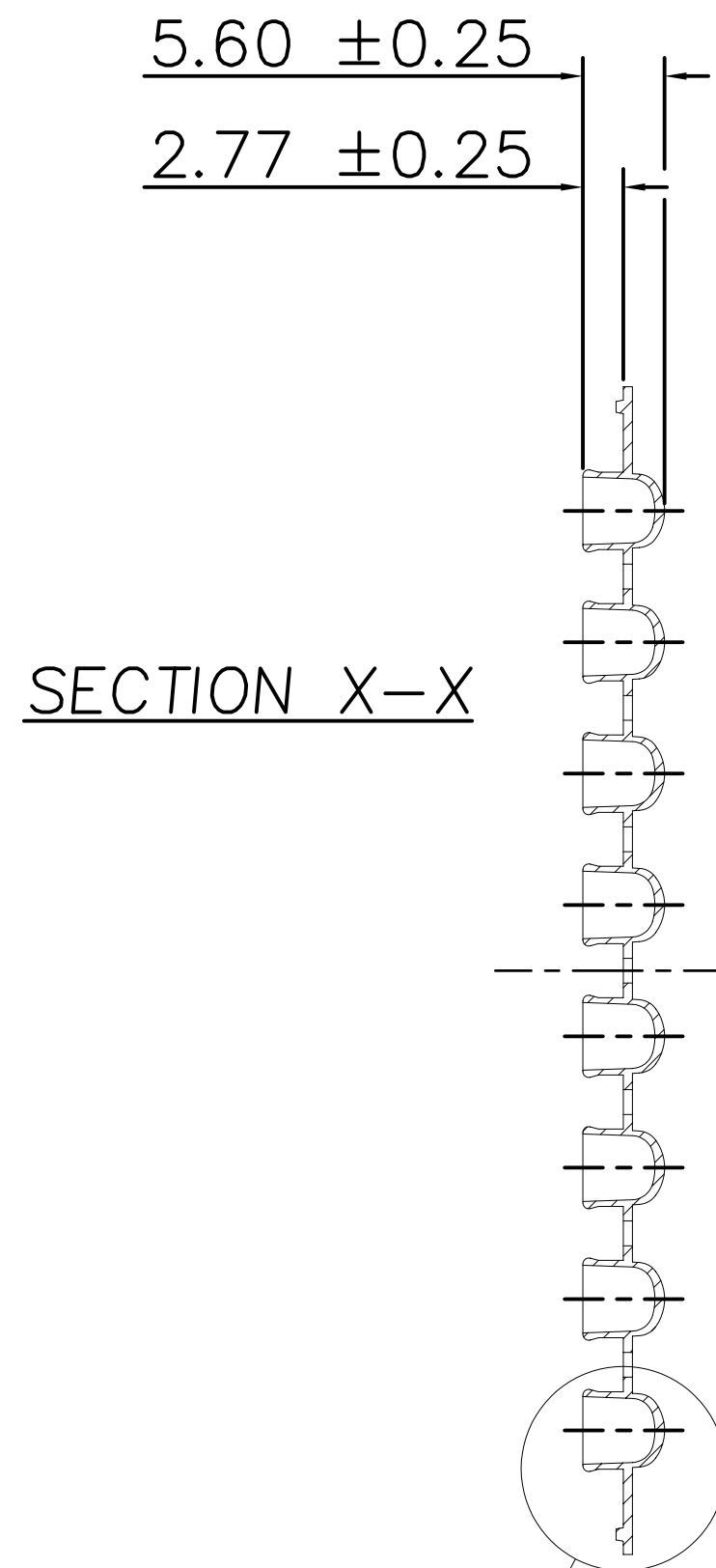


Pub No. MAN0014454

NOT TO SCALE

Copyright Thermo Fisher Scientific
This drawing and/or any technical information relating to it is issued in strict confidence and may not be reproduced or used for manufacture without written permission. Upon receipt of which it is the users responsibility to seek confirmation of any dimensions and production tolerances.



All dimensions in mm

TITLE		
Versi Domed Cap Mat		
DRG. NO.	ISSUE	DATE
AB-1810	ORIGINAL	19/4/13