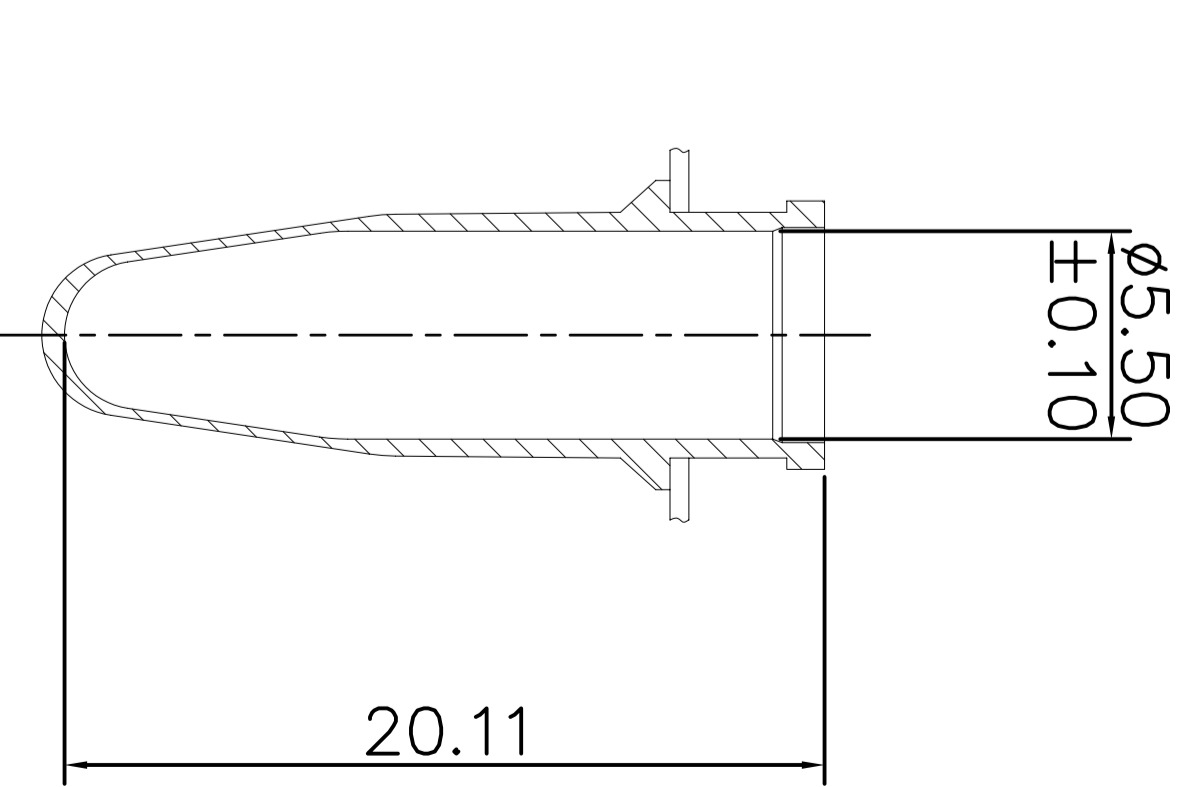
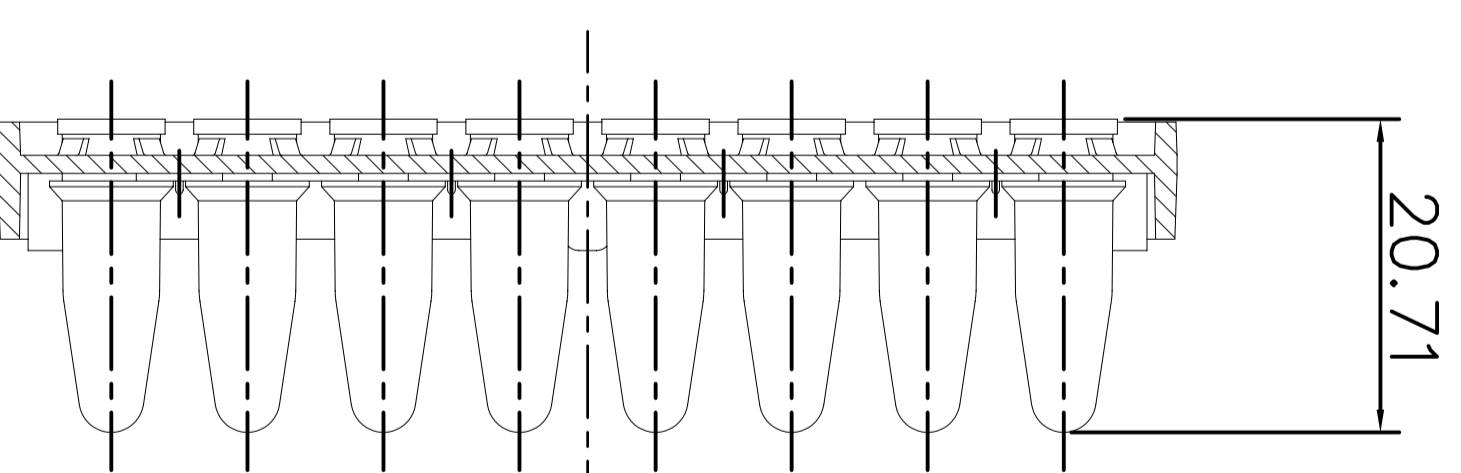
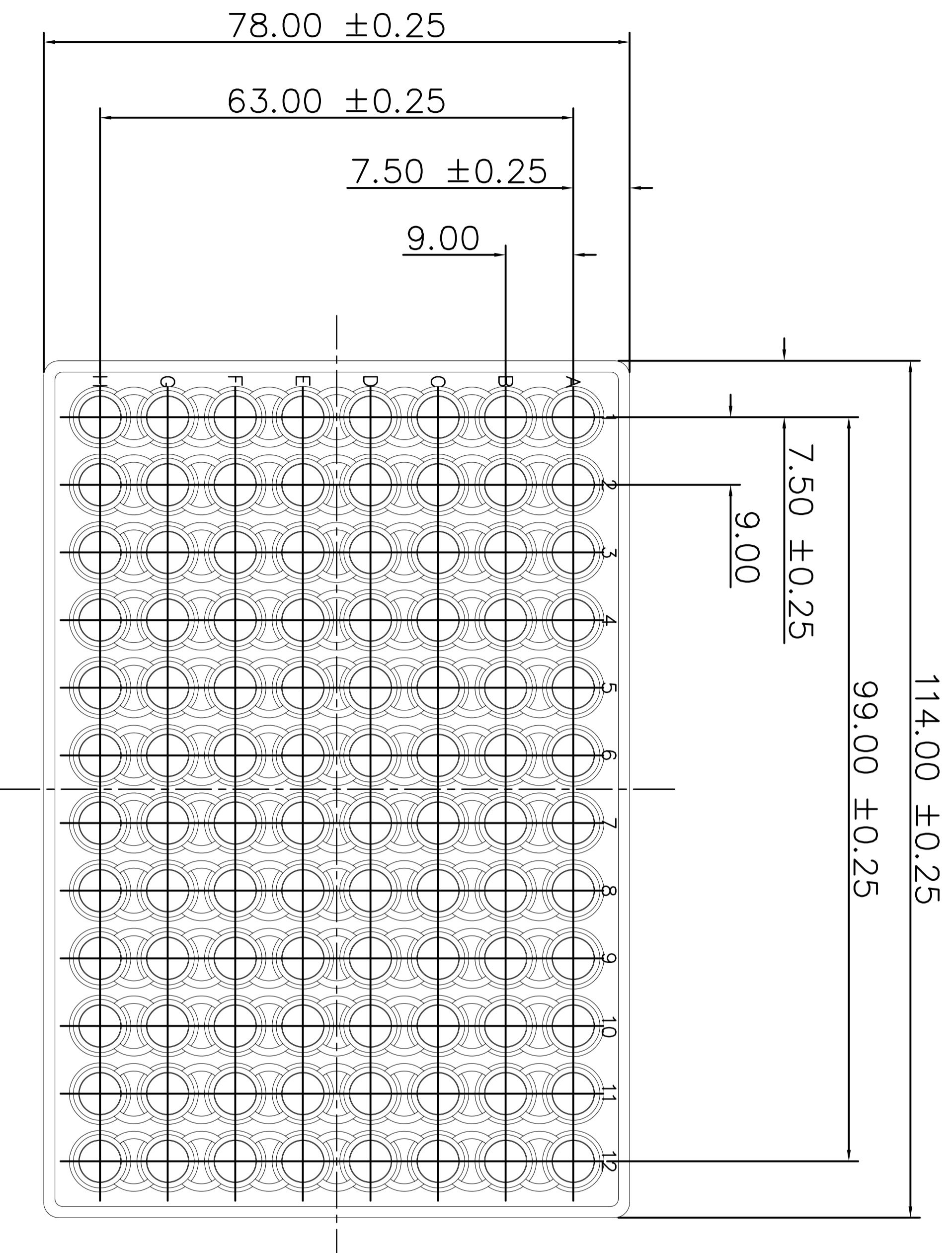


Copyright Thermo Fisher Scientific
 This drawing and/or any technical information relating to it is issued in strict confidence and may not be reproduced or used for manufacture without written permission. Upon receipt of which it is the users responsibility to seek confirmation of any dimensions and production tolerances.



All dimensions in mm

TITLE		
Omni—Tube Plate		
DRG. NO.	ISSUE	DATE
AB—0407	ORIGINAL	3/9/09