



epT.I.P.S.[®] Motion Reloads

Instructions for use

Copyright© 2021 Eppendorf AG, Germany. All rights reserved, including graphics and images. No part of this publication may be reproduced without the prior permission of the copyright owner.

ep*Motion*®, Eppendorf Tubes®, epT.I.P.S.®, and Eppendorf ThermoMixer® are registered trademarks of Eppendorf AG, Germany.

Table of contents

| | | |
|----------|---|-----------|
| 1 | Operating instructions | 4 |
| 1.1 | Using this manual | 4 |
| 1.2 | Danger symbols and danger levels | 4 |
| 1.2.1 | Danger symbols | 4 |
| 1.2.2 | Danger levels | 4 |
| 1.3 | Symbols used | 4 |
| 2 | Product description | 5 |
| 3 | Safety | 6 |
| 3.1 | Intended use | 6 |
| 3.2 | Safety instructions | 6 |
| 3.2.1 | Safety instruction for the use of the epMotion | 7 |
| 3.2.2 | Safety instruction for the use of the epMotion 96 and epMotion 96xl | 7 |
| 4 | Operation | 8 |
| 4.1 | Inserting epT.I.P.S. Motion Reloads in the epMotion | 8 |
| 4.1.1 | Loading the epMotion worktable | 8 |
| 4.1.2 | Loading the epBlue worktable | 9 |
| 4.2 | Inserting epT.I.P.S. Motion Reloads in the epMotion 96 or the epMotion 96xl | 10 |
| 5 | Cleaning | 10 |
| 6 | Transport, storage and disposal | 11 |
| 6.1 | Storage | 11 |
| 6.2 | Disposal | 11 |
| 7 | Technical data | 11 |
| 7.1 | Material | 11 |
| 7.2 | Ambient conditions | 11 |
| 8 | Ordering information | 12 |

1 Operating instructions

1.1 Using this manual

Before using the accessories for the first time, read these instructions for use. Also read the operating manual of the device the accessories are used with.

The current version of the operating manual can be found on our website:
www.eppendorf.com/manuals.

1.2 Danger symbols and danger levels

1.2.1 Danger symbols


The safety instructions in this manual have the following danger symbols and danger levels:

| | | | |
|--|------------------|---|------------------------|
|  | Biohazard |  | Material damage |
|--|------------------|---|------------------------|

1.2.2 Danger levels

| | |
|----------------|---|
| DANGER | <i>Will</i> lead to severe injuries or death. |
| WARNING | <i>May</i> lead to severe injuries or death. |
| CAUTION | May lead to light to moderate injuries. |
| NOTICE | May lead to material damage. |

1.3 Symbols used

| Depiction | Meaning |
|--|-----------------------------------|
| 1. 2. | Actions in the specified order |
| ▶ | Actions without a specified order |
| • | List |
| <i>Text</i> | Display or software texts |
|  | Additional information |

2 Product description

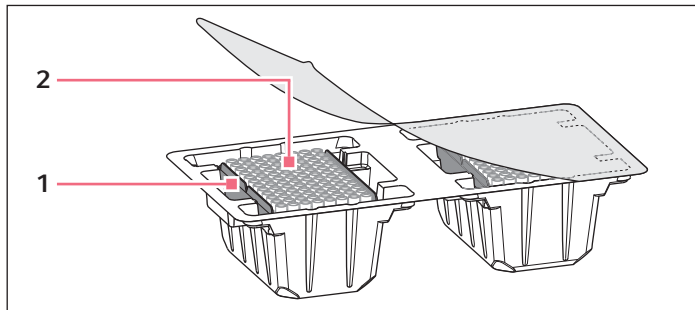


Fig. 2-1: epT.I.P.S. Motion Reloads

1 Tray

2 epT.I.P.S. Motion

epT.I.P.S. Motion Reloads consist of a tray which contains 96 epT.I.P.S. Motion pipette tips.

epT.I.P.S. Motion Reloads can be used with the epMotion, epMotion 96 and epMotion 96xl devices.

| Size of the pipette tips | epMotion | epMotion 96 | epMotion 96xl |
|--------------------------|----------|-------------|---------------|
| 10 µL | x | – | – |
| 50 µL | x | x | – |
| 300 µL | x | x | x |
| 1000 µL | x | – | x |

The epT.I.P.S. Motion Reloads has a code. This code is used by the device to detect the size of the pipette tips and whether the pipette tips have a filter.

epT.I.P.S. stands for "ependorf Totally Integrated Pipetting System".

3 **Safety**

3.1 **Intended use**

epT.I.P.S. Motion are transparent pipette tips for use on the ep*Motion*, the ep*Motion 96* and the ep*Motion 96xl*. epT.I.P.S. Motion are available as Reloads.

epT.I.P.S. Motion with a size of 10 µL may only be used on the devices ep*Motion 5070*, ep*Motion 5073*, ep*Motion 5075*.

epT.I.P.S. Motion Reloads are intended for single use.

The products can be used for training, routine and research laboratories in the areas of life sciences, industry or chemistry. This product is intended to be used for research purposes only. Eppendorf AG does not provide a warranty for other applications. The products are not suitable for use in diagnostic or therapeutic applications.

The products may only be used by skilled personnel who have been trained in the areas mentioned above.

3.2 **Safety instructions**



WARNING! Damage to health due to infectious liquids and pathogenic germs.

- ▶ When handling infectious liquids and pathogenic germs, observe the national regulations, the biosafety level of your laboratory, and the manufacturers' Safety Data Sheets and application notes.
- ▶ Wear your personal protective equipment.
- ▶ For comprehensive regulations about handling germs or biological material of risk group II or higher, please refer to the "Laboratory Biosafety Manual" (source: World Health Organization, Laboratory Biosafety Manual, in the currently valid version).



NOTICE! Dispensing errors due to incorrect handling of pipette tips.

Pipette tips become deformed and change size during autoclaving.

- ▶ Do not autoclave the pipette tips. If necessary, use pipette tips that are specified as sterile.



NOTICE! Damage to pipette tips due to aggressive chemicals.

Aggressive substances may damage the pipette tips.

- ▶ Check whether the pipette tips are resistant to the chemicals used.
-

3.2.1 Safety instruction for the use of the epMotion



WARNING! Danger due to flammable and infectious liquids in the waste container and waste bags.

Pipette tips in the waste container and in waste bags may contain flammable or infectious liquids.

- ▶ Wear your personal protective equipment.
- ▶ Handle the pipette tips and sample material from the waste container and waste bags in accordance with the safety data sheets, safety regulations and laboratory guidelines.
- ▶ Dispose of the pipette tips and sample material from the waste container and waste bags in accordance with the safety data sheets, safety regulations and laboratory guidelines.



NOTICE! Contamination due to using incorrect pipette tips.

The optical sensor does not detect if the pipette tips on the worktable are intended for single use (epT.I.P.S. Motion Rack, epT.I.P.S. Motion Reload) or multiple use (epT.I.P.S. Motion SafeRack).

- ▶ If the pipette tips will be used several times, equip the entire worktable with epT.I.P.S. Motion SafeRacks.



NOTICE! Incorrect stock detection due to missing pipette tips.

The optical sensor checks the start position and the end position of the pipette tips in the rack. The optical sensor does not check if pipette tips are missing in the center.

- ▶ Do not remove any pipette tips from the rack.

3.2.2 Safety instruction for the use of the epMotion 96 and epMotion 96xl



NOTICE! Damage to device due to incorrectly equipped trays.

The device detects the tip size from the coding of the tray. Incorrect equipping of the trays can lead to contamination of the pipetting head.

- ▶ Only use trays that were equipped by the manufacturer.
 - ▶ Do not equip the trays manually.
-

4 Operation

4.1 Inserting epT.I.P.S. Motion Reloads in the epMotion

4.1.1 Loading the epMotion worktable

epT.I.P.S. Motion Reloads can be used in the following labware:

- TipHolder, TipHolder 73
- Box
- Gripper Tower

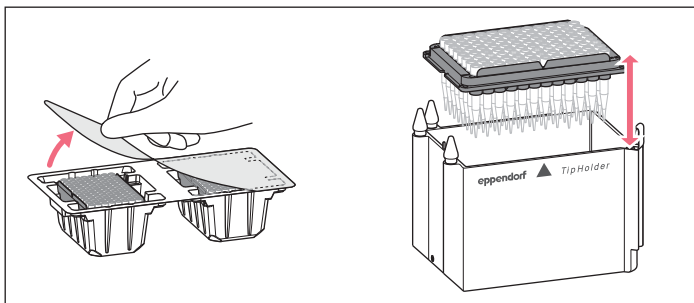


Fig. 4-2: Example: Placing the tray with epT.I.P.S. Motion Reloads on the TipHolder

Prerequisites

- The pipette tips are undamaged.
1. Check that boxes that are used multiple times are undamaged and do not show any signs of abrasion.
 2. Place the tray on an appropriately-sized box.
The notch in the tray must be on the labeled side of the box.

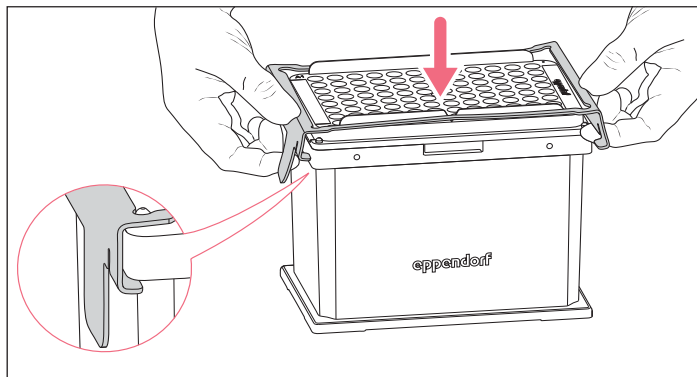


Fig. 4-3: Attaching the clip to the rack for pipette tips 1000 μL

- For trays with pipette tips 1000 μL use a clip. Place the clip on the tray from above. Bend the 4 tabs at the corners so that they grip around the tray. The tray is protected against lifting.

i When using clips, do not stack the boxes.

- Place the box on an epMotion worktable location with the label facing the front.

4.1.2 Loading the epBlue worktable

It depends on the epMotion software version how the epBlue worktable is loaded.

| Size of the pipette tips | Labware definitions in epBlue version < 40.5 | Labware definitions in epBlue version > 40.5 |
|--------------------------|---|--|
| 10 μL | <ul style="list-style-type: none"> Pipette tips 10 μL are not supported by epBlue Version < 40.5. | The labware definition contains the dimensions of the TipHolder and the tray. Separate labware definitions are available for all types of epT.I.P.S. Motion Reloads. |
| 50 μL | <ul style="list-style-type: none"> Height adapter 40 mm: labware definition <i>Adap_40</i> epT.I.P.S. Motion rack 50 μL: labware definition <i>tip50</i> | |
| 300 μL | <ul style="list-style-type: none"> Height adapter 40 mm: labware definition <i>Adap_40</i> epT.I.P.S. Motion rack 50 μL: labware definition <i>tip300</i> | |
| 1000 μL | <ul style="list-style-type: none"> epT.I.P.S. Motion Rack 1000 μL: labware definition <i>tip1000</i> | |

4.2 Inserting epT.I.P.S. Motion Reloads in the epMotion 96 or the epMotion 96xl

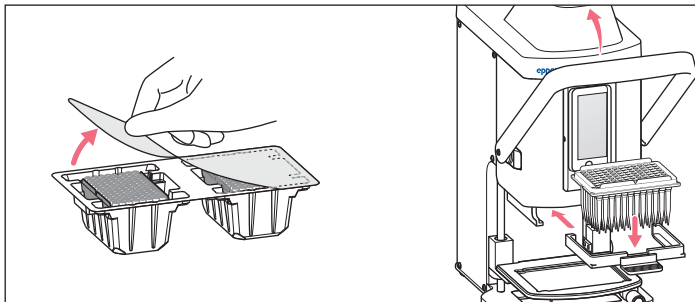


Fig. 4-4: Example: Inserting the tray with epT.I.P.S. Motion Reloads in the epMotion 96

Prerequisites

- Tray and pipette tips are undamaged.

1. Pull the lever forward.
2. Remove the loading frame from the device.
3. Insert the tray with pipette tips in the loading frame.
The notch in the tray points toward the handle of the loading frame.
4. Insert the loading frame.
5. Push the lever backward.

5 Cleaning

epT.I.P.S. Motion Reloads are intended for single use. Pipette tips and trays must not be cleaned and used multiple times.

Racks, SafeRacks, TipHolders, and clips can be cleaned with the following agents:

- 70% (v/v) ethanol
- 3%–4% sodium hypochlorite solution
- Reagents DNA-ExitusPlus and ExitusPlus IF

i Racks and SafeRacks must not be autoclaved.

6 Transport, storage and disposal

6.1 Storage

Racks, SafeRacks and Reloads must be placed with the bottom side down during storage. This ensures that the pipette tips are hanging in the trays.

6.2 Disposal

Dispose of used pipette tips and trays in accordance with the safety data sheets, safety regulations and laboratory guidelines.

Dispose of the packing in accordance with the marking and comply with the legal regulations.

7 Technical data

7.1 Material

| | |
|------------------------------|----------------------------------|
| Pipette tips | Polypropylene (PP) |
| Filters of the pipette tips | Polyethylene (PE) |
| Trays | Polypropylene (PP) |
| Protective foil of the racks | Polyethylene (PE) |
| Blister package | Polybutylene terephthalate (PET) |

7.2 Ambient conditions

Tab. 1: Ambient conditions during operation

| | |
|----------------------|-----------------------------|
| Ambience | For indoor use only. |
| Ambient temperature | 5 °C – 40 °C |
| Relative humidity | 10 % – 95 %, non-condensing |
| Atmospheric pressure | 79.5 kPa – 106 kPa |

Tab. 2: Ambient conditions during storage

| | |
|--|------------------|
| Temperature during storage in transport packing | -20 °C – 55 °C |
| Temperature during storage without transport packing | -5 °C – 45 °C |
| Relative humidity | 10 % – 95 % |
| Atmospheric pressure | 70 kPa – 106 kPa |

8 Ordering information

| Order no. (International) | Description |
|------------------------------|---|
| 0030 014.545 | epT.I.P.S. Motion Reloads 10 µL 12 × 2 trays with 96 tips each Eppendorf Quality |
| 0030 014.421 | epT.I.P.S. Motion Reloads 50 µL 12 × 2 trays with 96 tips each Eppendorf Quality |
| 0030 014.464 | epT.I.P.S. Motion Reloads 300 µL 12 × 2 trays with 96 tips each Eppendorf Quality |
| 0030 014.502 | epT.I.P.S. Motion Reloads 1 000 µL 12 × 2 trays with 96 tips each Eppendorf Quality |
| 0030 014.553 | epT.I.P.S. Motion Filter Reloads 10 µL 12 × 2 trays with 96 tips each PCR clean |
| 0030 014.561 | PCR clean and Sterile |
| 0030 014.430 | epT.I.P.S. Motion Filter Reloads 50 µL 12 × 2 trays with 96 tips each PCR clean |
| 0030 014.529 | PCR clean and Sterile |
| 0030 014.537 | epT.I.P.S. Motion Filter Reloads 300 µL 12 × 2 trays with 96 tips each PCR clean and Sterile |
| 0030 014.472 | PCR clean |
| 0030 014.510 | epT.I.P.S. Motion Filter Reloads 1 000 µL 12 × 2 trays with 96 tips each PCR clean |
| 0030 014.570 | PCR clean and Sterile |
| 5075 751.399 | TipHolder for epT.I.P.S. Motion Reloads |
| 5075 751.070 | Clip for epT.I.P.S. Motion Reloads 5 pieces |
| 0030 014.677 | Box for epT.I.P.S. Motion 1 000 µL 10 pieces |
| 0030 014.669 | Box for epT.I.P.S. Motion 10 µL, 50 µL, 300 µL 10 pieces |

Evaluate Your Manual

Give us your feedback.

www.eppendorf.com/manualfeedback

Your local distributor: www.eppendorf.com/contact

Eppendorf AG · Barkhausenweg 1 · 22339 Hamburg · Germany
eppendorf@eppendorf.com · www.eppendorf.com