

CATALOG NO.	** NOMINAL CAPACITY, (mL)					MATERIAL
001201	400	600	1000	2000	4000	PP

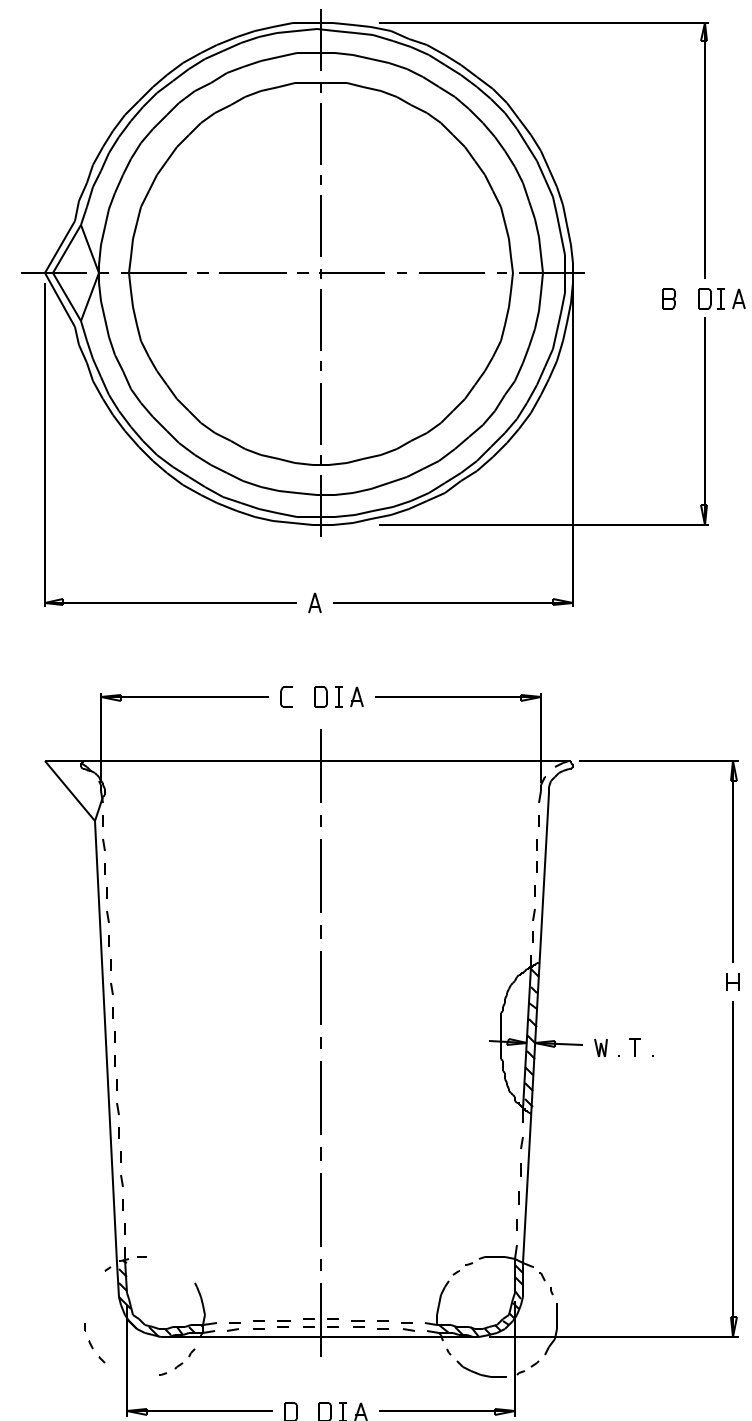
\*\* FOR OTHER 5 SIZES (30, 50, 100, 150, 250mL), SEE PSS 00-1201-XXXX-1

SIZE CODE.....:	-0400		-0600		-1000	
NOM. CAP. (mL).....:	400		600		1000	
NOM. BRIM CAP (mL).:	600		880		1480	
NOM. WT. (gms).....:	58		79		118	
	INCH	MM	INCH	MM	INCH	MM
A (DIM. W/SPOUT)....:	3.90 ±0.04	99.1 ±1.0	4.36 ±0.04	110.7 ±1.0	5.11 ±0.05	129.8 ±1.3
B (O.D. AT LIP).....:	3.66 ±0.04	93.0 ±1.0	4.14 ±0.04	105.2 ±1.0	4.93 ±0.05	125.2 ±1.3
C (I.D. AT TOP).....:	3.52 ±0.04	89.4 ±1.0	4.00 ±0.04	101.6 ±1.0	4.78 ±0.05	121.4 ±1.3
D (I.D. AT BOTTOM)....:	3.03 ±0.04	77.0 ±1.0	3.43 ±0.04	87.1 ±1.0	4.05 ±0.04	102.9 ±1.0
H (HEIGHT).....:	4.45 ±0.04	113.0 ±1.0	5.07 ±0.05	128.8 ±1.3	5.99 ±0.05	152.1 ±1.3
W.T. (NOM WALL THK):	0.07	1.8	0.08	2.0	0.08	2.0

SIZE CODE.....:	-2000		-4000	
NOM. CAP. (mL).....:	2000		4000	
NOM. BRIM CAP (mL).:	2890		5550	
NOM. WT. (gms).....:	200		310	
	INCH	MM	INCH	MM
A (DIM. W/SPOUT)....:	6.33 ±0.06	160.8 ±1.5	7.71 ±0.07	195.8 ±1.8
B (O.D. AT LIP).....:	6.27 ±0.06	159.3 ±1.5	7.67 ±0.07	194.8 ±1.8
C (I.D. AT TOP).....:	5.95 ±0.06	151.1 ±1.5	7.29 ±0.07	185.2 ±1.8
D (I.D. AT BOTTOM)....:	5.04 ±0.05	128.0 ±1.3	6.00 ±0.06	152.4 ±1.5
H (HEIGHT).....:	7.57 ±0.07	192.3 ±1.8	9.85 ±0.08	250.2 ±2.0
W.T. (NOM WALL THK):	0.09	2.3	0.09	2.3

NOTES:

1. ALL DIMENSIONS ARE NOMINAL AND IN INCHES AND MILLIMETERS UNLESS OTHERWISE NOTED.
2. THIS IS NOT A PRODUCTION DRAWING, BUT IS FOR INFORMATIONAL PURPOSES ONLY, AND IS SUBJECT TO CHANGE WITHOUT NOTICE.



SPECS ON BACK

NOT TO SCALE

CONFIDENTIAL

THIS PRODUCT SPECIFICATION SHEET CONTAINS CONFIDENTIAL AND/OR PROPRIETARY INFORMATION AND IS TO BE USED ONLY FOR THE EXPRESSED PURPOSES AGREED UPON BY AN AUTHORIZED OFFICER OF THERMO FISHER SCIENTIFIC.

**ThermoFisher**  
SCIENTIFIC

Thermo Fisher Scientific  
75 Panorama Creek Drive  
Rochester, NY 14625-2385, USA

MADE	JGJ	APP'D		PSS 00-1201-XXXX-2	REV.	0595
CK'D						

DESCRIPTION:  
GRIFFIN LOW-FORM BEAKERS